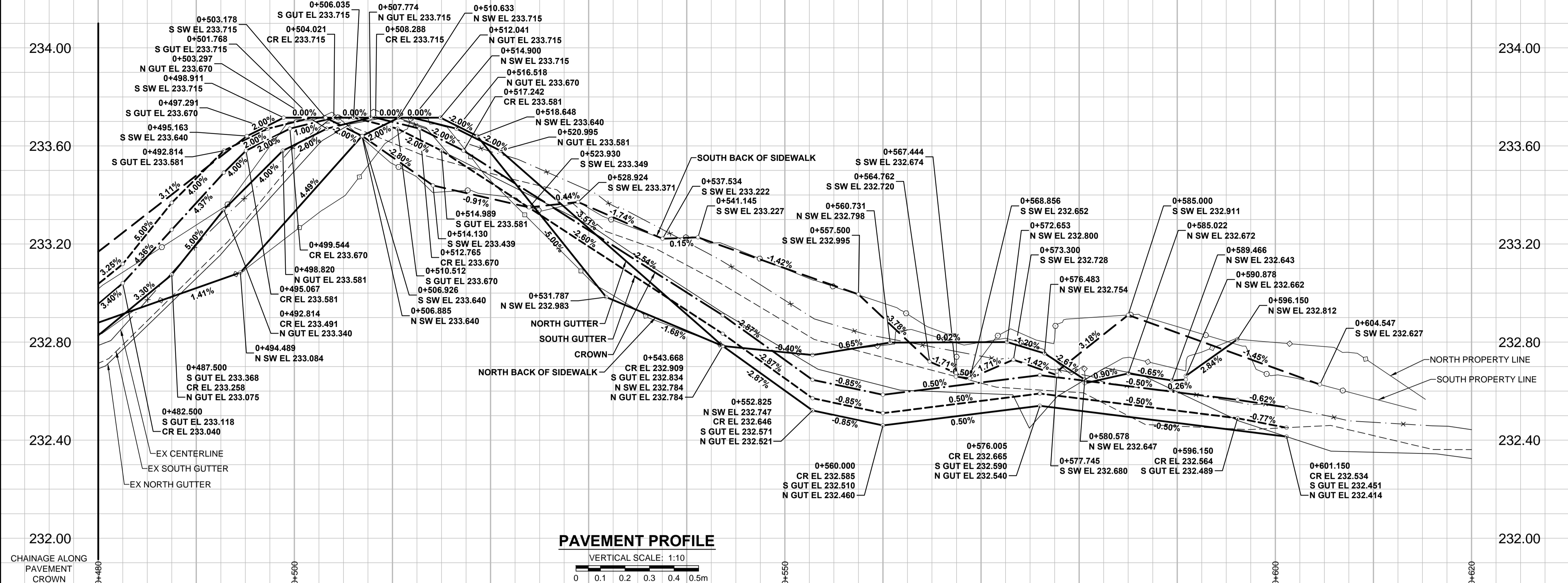


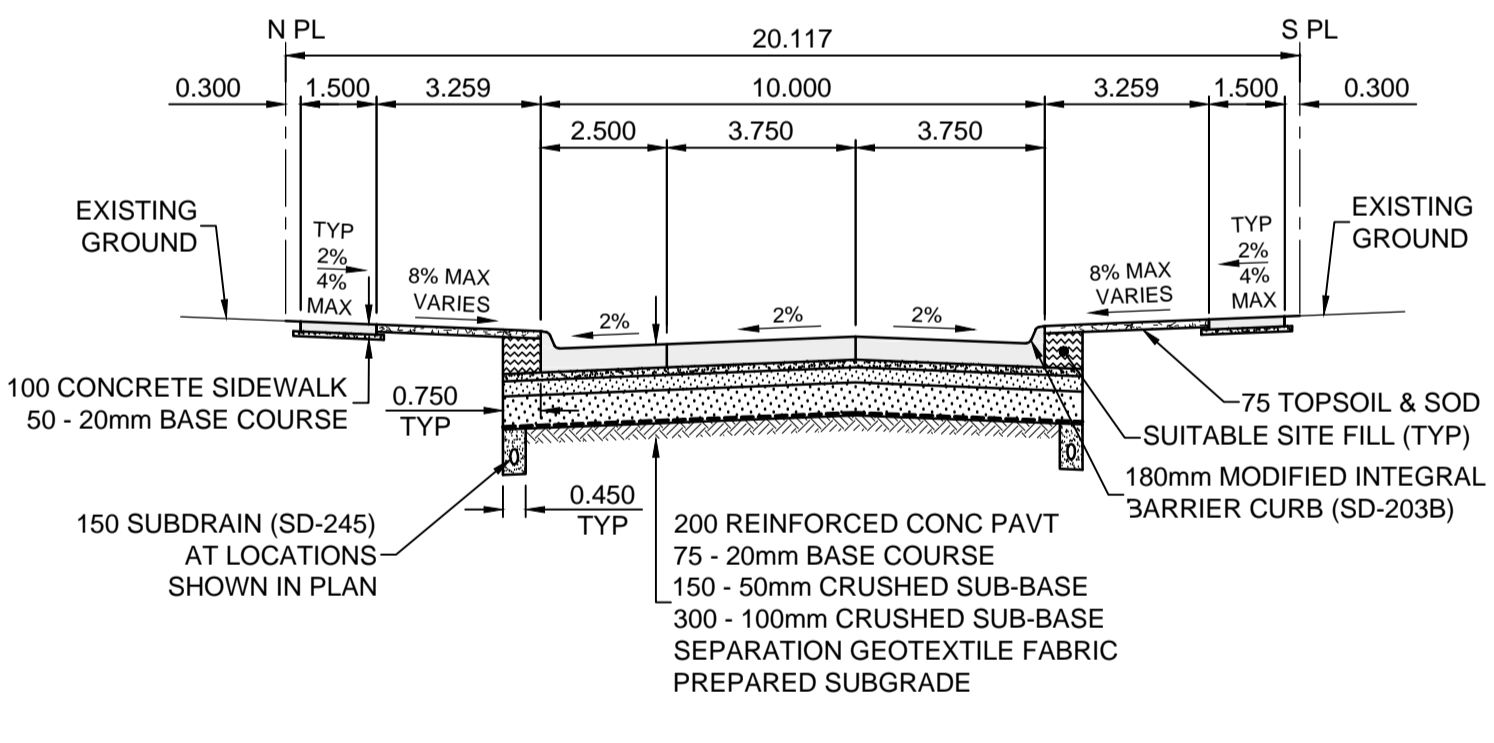
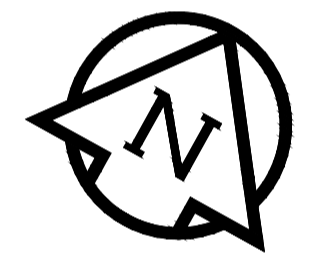
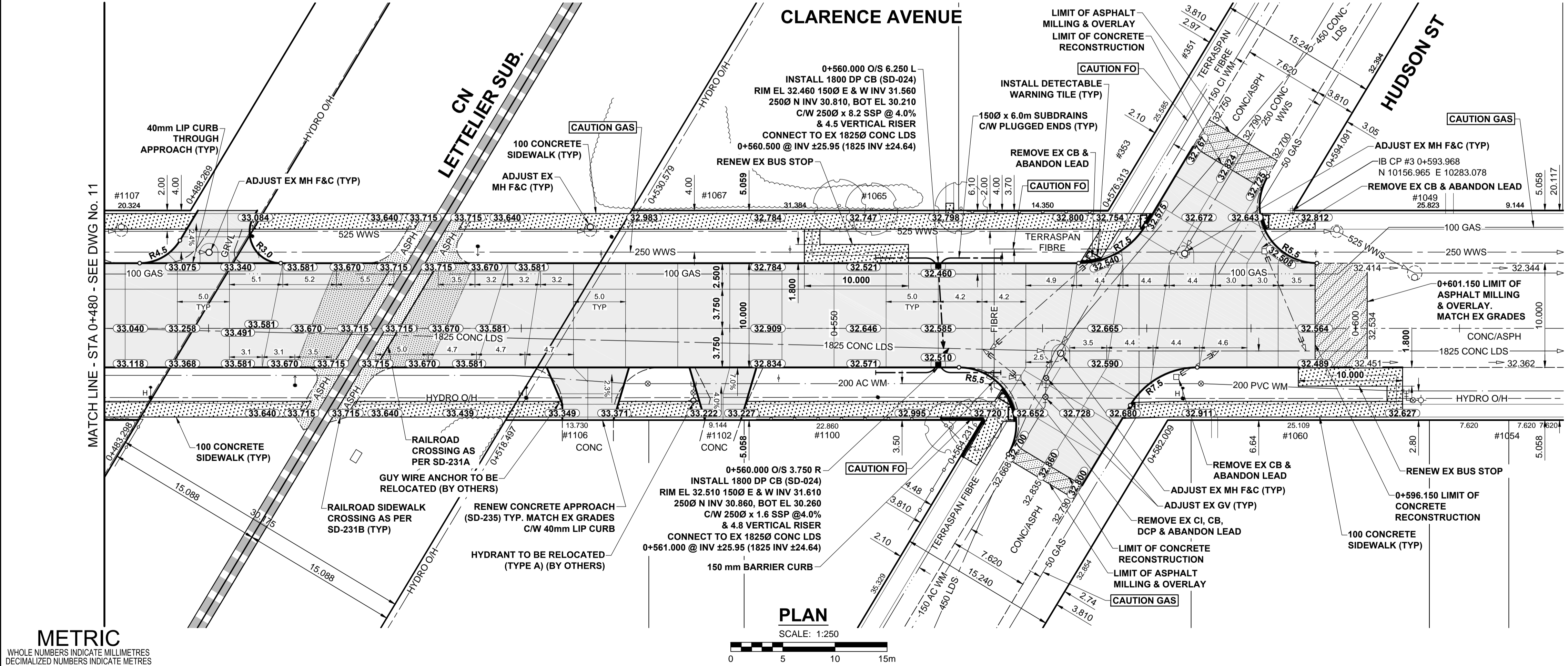
A1 SIZE 594mm x 841mm



- NOTES**
- ADJUST MH AND CB RIMS TO NEW GRADES.
  - LAMP STANDARDS, HYDRO POLES, AND ANCHORS THAT REQUIRE TEMPORARY SUPPORT, REMOVAL OR REPLACEMENT, TO BE DONE SO AT THE EXPENSE OF THE CONTRACTOR AS NECESSARY.
  - CONTRACTOR TO REGRADE/RENEW EXISTING PRIVATE SIDEWALKS TO LIMITS AS SHOWN. SIDEWALKS TO BE RENEWED WITH CONCRETE UNLESS NOTED OTHERWISE.
  - CONTRACTOR TO TAKE PRECAUTIONARY STEPS TO PROTECT EXISTING TREES WITHIN THE LIMITS OF CONSTRUCTION FROM DAMAGE FROM CONSTRUCTION ACTIVITIES AS OUTLINED IN THE SPECIFICATIONS.
  - CONTRACTOR TO CONFIRM THE LOCATION OF ALL UTILITIES/SERVICES IN THE FIELD PRIOR TO CONSTRUCTION.
  - CB SD-023 & SD-024 OFFSETS ARE DIMENSIONED TO BOC. CB SD-025 OFFSETS ARE DIMENSIONED O/C.
  - MODIFIED BARRIER CURB & GUTTER INLET FRAME & COVER TF-122.
  - IN GENERAL, PAVEMENT AND SIDEWALK AREAS TO BE REMOVED. MATCH RECONSTRUCTION LIMITS.
  - REFER TO BID OPPORTUNITY FOR DETAILS REGARDING TRAFFIC MANAGEMENT.
  - ADD 200.00mm TO ABBREVIATED ELEVATIONS TO OBTAIN GEODETIC ELEVATIONS.
  - CONTRACTOR TO APPLY FOR CN WORK PERMIT. REFER TO SPECIFICATIONS.
  - CN SAFETY RULES APPLY. REFER TO SPECIFICATION. INCLUDES CN FLAGGING AND SUPERVISION REQUIREMENTS.

CONTROL LINE - COORDINATES		
NAME	NORTHING	EASTING
POT 0+100.000	9907.454	9856.608
POT 0+600.000	10150.002	10293.838

PLOT: 4/29/2015 5:56:48 PM



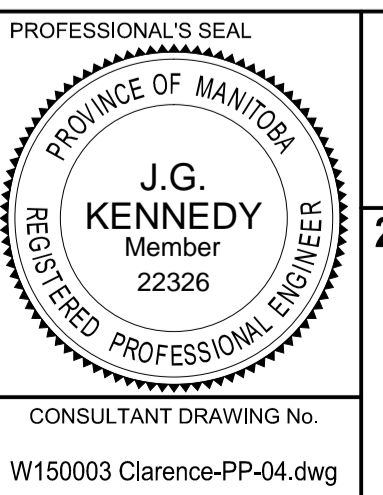
**TYPICAL PAVEMENT SECTION**  
CONCRETE PAVEMENT STRUCTURE  
SCALE: NTS

**METRIC**  
WHOLE NUMBERS INDICATE MILLIMETRES  
DECIMALIZED NUMBERS INDICATE METRES

EXISTING	LEGEND - PLAN	NEW	EXISTING	LEGEND - PLAN	NEW	EXISTING	LEGEND - PLAN	NEW	
	GAS		MANHOLE		CONCRETE PAVEMENT		LOCATION APPROVED		GBM 65-018
	MTS		CATCH BASIN / CATCH PIT		CONC SIDEWALK / MEDIAN		S.E. Cor		ELEV 233.049
	HYDRO		CURB INLET WITH BOX		ASPHALT PAVEMENT		DATE		15.0/428
	CATV / FIBRE OPTIC		TREE		PAVING STONE		GRAVEL		15.0/428
	TRAFFIC SIGNALS / PIT		TEST HOLE		RAMP CURBS		PLANING / REMOVAL		15.0/428
	LAND DRAINAGE SEWER		PROPERTY LINE		SURVEY BAR		NOTE:		15.0/428
	SANITARY/COMBINED SEWER		SURVEY BAR		FENCE		LOCATION OF UNDERGROUND STRUCTURES		15.0/428
	SEWER SERV/DRAINAGE CONN		BOC / EDGE OF PAVEMENT		ELEVATION		TRAFFIC SIGN		15.0/428
	WATERMAIN		DITCH		EXISTING		NEW		15.0/428
	SUBDRAIN		DITCH		EXISTING		NEW		15.0/428
	DITCH		DITCH		EXISTING		NEW		15.0/428

DESIGNED BY	CHECKED BY	DATE
JGK	WRJ	15/04/28
DML	BWB	15/04/28
JGK	JGK	15/04/28
JGK	JGK	15/04/28

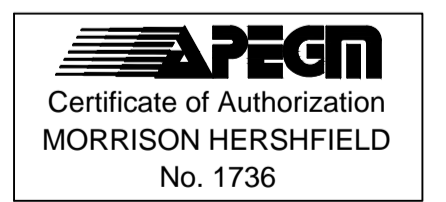
ISSUED FOR TENDER	ISSUED FOR CITY REVIEW	REVISIONS
15/04/30	15/04/28	YYMMDD
JGK	JGK	BY



**THE CITY OF WINNIPEG**  
PUBLIC WORKS DEPARTMENT  
ENGINEERING DIVISION

2015 LOCAL STREET & ALLEY RENEWAL PROGRAM  
**CLARENCE AVENUE**  
MARSHALL BAY (W LEG) TO HUDSON ST  
CONCRETE RECONSTRUCTION  
HORIZONTAL AND VERTICAL ALIGNMENT  
STA 0+480 TO STA 0+620

CITY DRAWING NUMBER: N/A  
SHEET 12 OF 31  
DRAWING No. 12  
REV B



BID OPPORTUNITY No. 18-2015