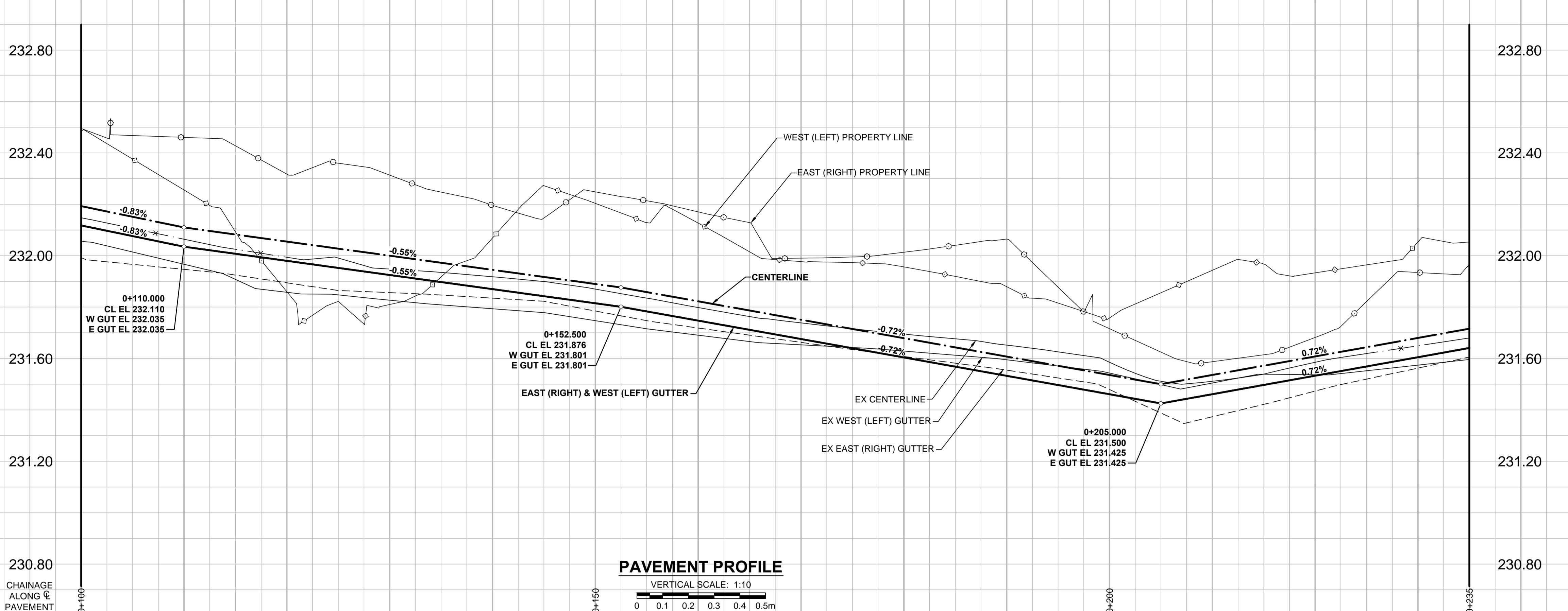


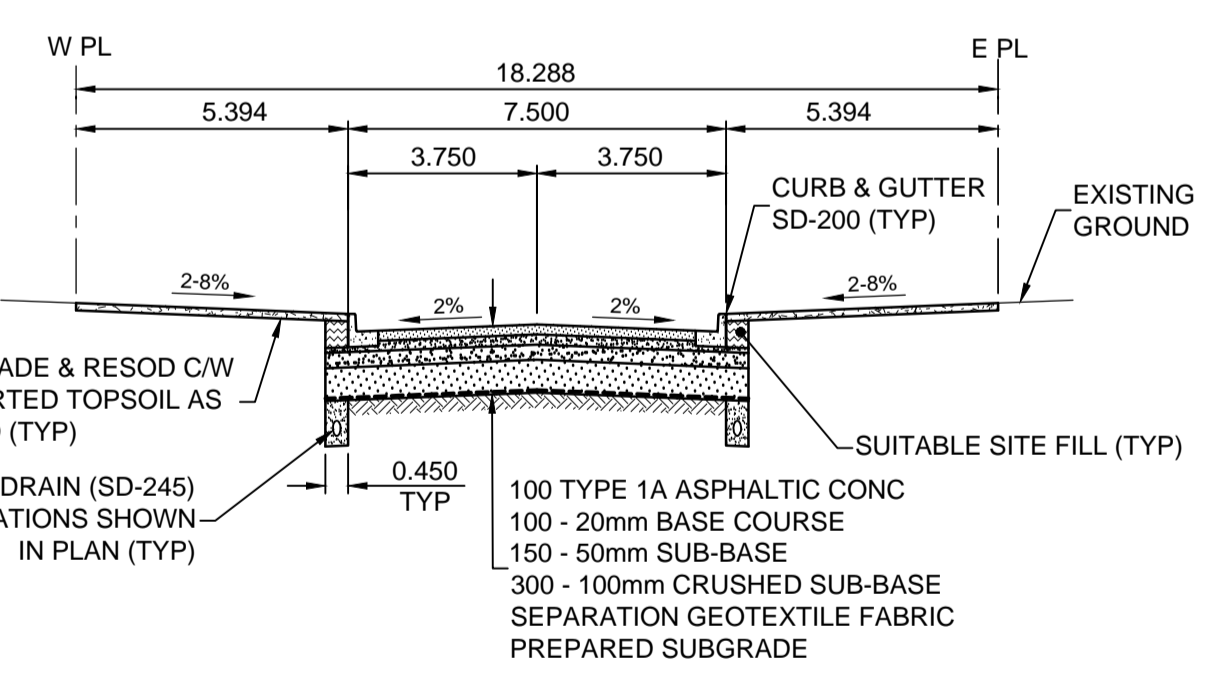
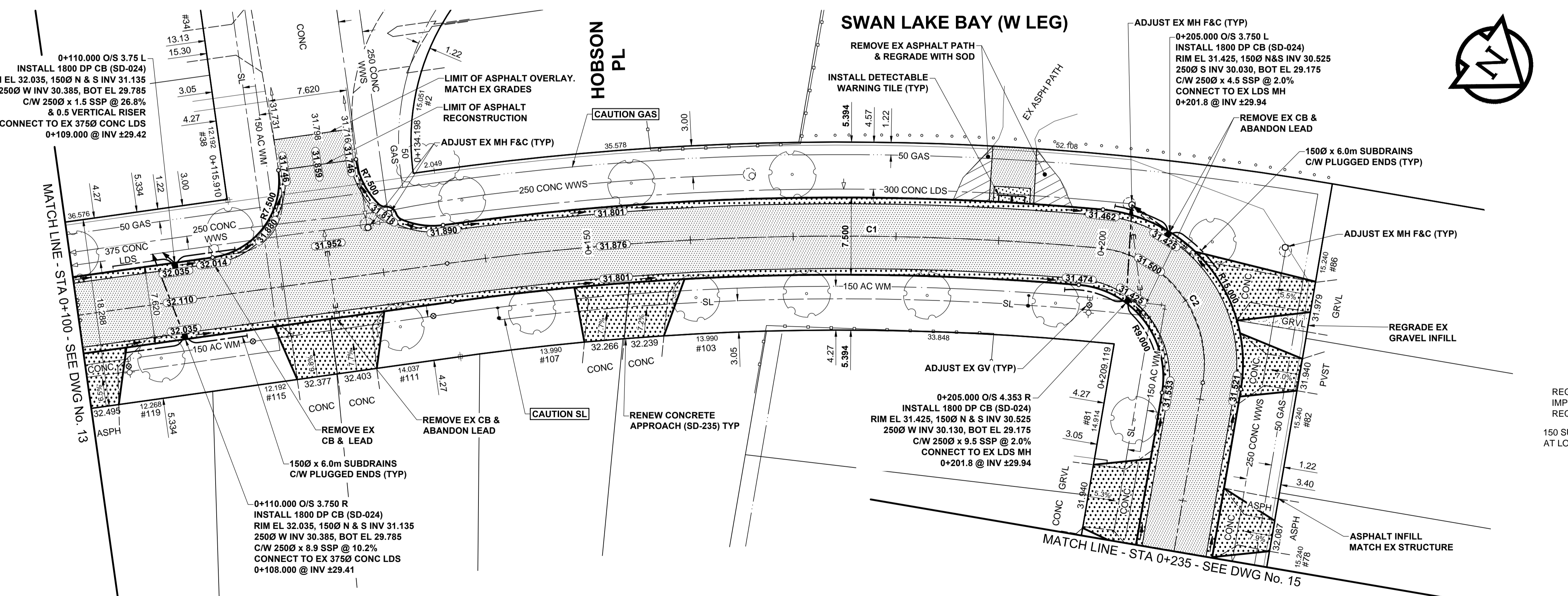
A1 SIZE 594mm x 841mm
PLOT: 4/29/2015 5:58:17 PM
FILE NAME: W150003.Swan Lake-PP-02.dwg, Saved By: diane



- NOTES**
- ADJUST MH AND CB RIMS TO NEW GRADES.
 - LAMP STANDARDS, HYDRO POLES, AND ANCHORS THAT REQUIRE TEMPORARY SUPPORT, REMOVAL OR REPLACEMENT, TO BE DONE SO AT THE EXPENSE OF THE CONTRACTOR AS NECESSARY.
 - CONTRACTOR TO REGRADE/RENEW EXISTING PRIVATE SIDEWALKS TO LIMITS AS SHOWN. SIDEWALKS TO BE RENEWED WITH CONCRETE UNLESS NOTED OTHERWISE.
 - CONTRACTOR TO TAKE PRECAUTIONARY STEPS TO PROTECT EXISTING TREES WITHIN THE LIMITS OF CONSTRUCTION FROM DAMAGE FROM CONSTRUCTION ACTIVITIES AS OUTLINED IN THE SPECIFICATIONS.
 - CONTRACTOR TO CONFIRM THE LOCATION OF ALL UTILITIES/SERVICES IN THE FIELD PRIOR TO CONSTRUCTION.
 - MODIFIED BARRIER CURB TO BE USED AT ALL INTERSECTION RADII, BACK LANE RADII AND BULLNOSES.
 - CB SD-023 & SD-024 OFFSETS ARE DIMENSIONED TO BOC. CB SD-025 OFFSETS ARE DIMENSIONED O/C.
 - ADD 200.000m TO ABBREVIATED ELEVATIONS TO OBTAIN GEODETIC ELEVATIONS.
 - IN GENERAL, PAVEMENT AND SIDEWALK AREAS TO BE REMOVED. MATCH RECONSTRUCTION LIMITS.
 - REFER TO BID OPPORTUNITY FOR DETAILS REGARDING TRAFFIC MANAGEMENT.

CONTROL LINE - COORDINATES		
NAME	NORTHING	EASTING
POT 0+000.000	9949.9190	9889.3440
PC 0+136.248	10059.7219	9808.6799
PCC 0+199.823	10114.8363	9777.2747
PT 0+218.367	10129.9027	9784.0369
PC 0+379.483	10181.3137	9936.7307

CONTROL LINE - CURVES				
CURVE	RADIUS	LENGTH	DELTA	TANGENT
C1	274.841	63.576	13°15'13"	31.930
C2	11.250	18.543	94°26'26"	12.157



METRIC
WHOLE NUMBERS INDICATE MILLIMETRES
DECIMALIZED NUMBERS INDICATE METRES

EXISTING	LEGEND - PLAN	NEW	EXISTING	LEGEND - PLAN	NEW	EXISTING	LEGEND - PLAN	NEW	
	GAS		MANHOLE		CONCRETE PAVEMENT		LOCATION APPROVED		UNDERGROUND STRUCTURES
	MTS		CATCH BASIN / CATCH PIT		CONC SIDEWALK / MEDIAN		SUPR. U/G STRUCTURES		DATE
	HYDRO		CURB INLET WITH BOX		ASPHALT PAVEMENT		COMMITTEE		NOTE:
	CATV / FIBRE OPTIC		TREE		PAVING STONE		LOCATION APPROVED		NOTE:
	TRAFFIC SIGNALS / PIT		TEST HOLE		GRAVEL		LOCATION APPROVED		NOTE:
	LAND DRAINAGE SEWER		PROPERTY LINE		RAMP CURB		LOCATION APPROVED		NOTE:
	SANITARY/COMBINED SEWER		SURVEY BAR		PLANING / REMOVAL		LOCATION APPROVED		NOTE:
	SEWER SERV/DRAINAGE CONN		FENCE		LOCATION APPROVED		LOCATION OF UNDERGROUND STRUCTURES AS SHOWN ARE BASED ON THE BEST INFORMATION AVAILABLE. BUT NO GUARANTEE IS GIVEN THAT ALL EXISTING UTILITIES ARE SHOWN OR THAT THE GIVEN LOCATIONS ARE EXACT. CONFIRMATION OF EXISTENCE AND EXACT LOCATION OF ALL SERVICES MUST BE OBTAINED FROM THE INDIVIDUAL UTILITIES BEFORE PROCEEDING WITH CONSTRUCTION.		NOTE:
	WATERMAIN		BOC / EDGE OF PAVEMENT		LOCATION APPROVED		LOCATION OF UNDERGROUND STRUCTURES AS SHOWN ARE BASED ON THE BEST INFORMATION AVAILABLE. BUT NO GUARANTEE IS GIVEN THAT ALL EXISTING UTILITIES ARE SHOWN OR THAT THE GIVEN LOCATIONS ARE EXACT. CONFIRMATION OF EXISTENCE AND EXACT LOCATION OF ALL SERVICES MUST BE OBTAINED FROM THE INDIVIDUAL UTILITIES BEFORE PROCEEDING WITH CONSTRUCTION.		NOTE:
	SUBDRAIN		ELEVATION		LOCATION APPROVED		LOCATION OF UNDERGROUND STRUCTURES AS SHOWN ARE BASED ON THE BEST INFORMATION AVAILABLE. BUT NO GUARANTEE IS GIVEN THAT ALL EXISTING UTILITIES ARE SHOWN OR THAT THE GIVEN LOCATIONS ARE EXACT. CONFIRMATION OF EXISTENCE AND EXACT LOCATION OF ALL SERVICES MUST BE OBTAINED FROM THE INDIVIDUAL UTILITIES BEFORE PROCEEDING WITH CONSTRUCTION.		NOTE:
	DITCH		TRAFFIC SIGN		LOCATION APPROVED		LOCATION OF UNDERGROUND STRUCTURES AS SHOWN ARE BASED ON THE BEST INFORMATION AVAILABLE. BUT NO GUARANTEE IS GIVEN THAT ALL EXISTING UTILITIES ARE SHOWN OR THAT THE GIVEN LOCATIONS ARE EXACT. CONFIRMATION OF EXISTENCE AND EXACT LOCATION OF ALL SERVICES MUST BE OBTAINED FROM THE INDIVIDUAL UTILITIES BEFORE PROCEEDING WITH CONSTRUCTION.		NOTE:



GBM 76-034	N.W. Cor. Chancellor Dr. & E. leg of Swan Lake Bay, Tbt. on top of 0.05 m dia. x 2.4 m iron pipe, 0.6 m E. of W.L. of E. leg of Swan Lake Bay & 6.4 m S. of N.L. of Chancellor Dr.	15/04/28	RPB
A	ISSUED FOR CITY REVIEW	15/04/28	RPB
No.	REVISIONS	YYMMDD	BY

MORRISON HERSHFIELD

DESIGNED BY: RPB
CHECKED BY: WRJ
DRAWN BY: DML
APPROVED BY: BWB

HOR. SCALE: 1:250
VERT. SCALE: 1:10
DATE: 15/04/28

PROFESSIONAL'S SEAL
PROVINCE OF MANITOBA
REGISTERED PROFESSIONAL ENGINEER
R.P. BRUCE
CONSULTANT DRAWING No. W150003 Swan Lane-PP-02.dwg

THE CITY OF WINNIPEG
PUBLIC WORKS DEPARTMENT
ENGINEERING DIVISION

2015 LOCAL STREET & ALLEY RENEWAL PROGRAM
SWAN LAKE BAY
CHANCELLOR DR TO CHANCELLOR DR
ASPHALT RECONSTRUCTION
HORIZONTAL AND VERTICAL ALIGNMENT
STA 0+100 TO STA 0+235

CITY DRAWING NUMBER: N/A
SHEET 14 OF 31
DRAWING No. 14
REV B

BID OPPORTUNITY No. 18-2015