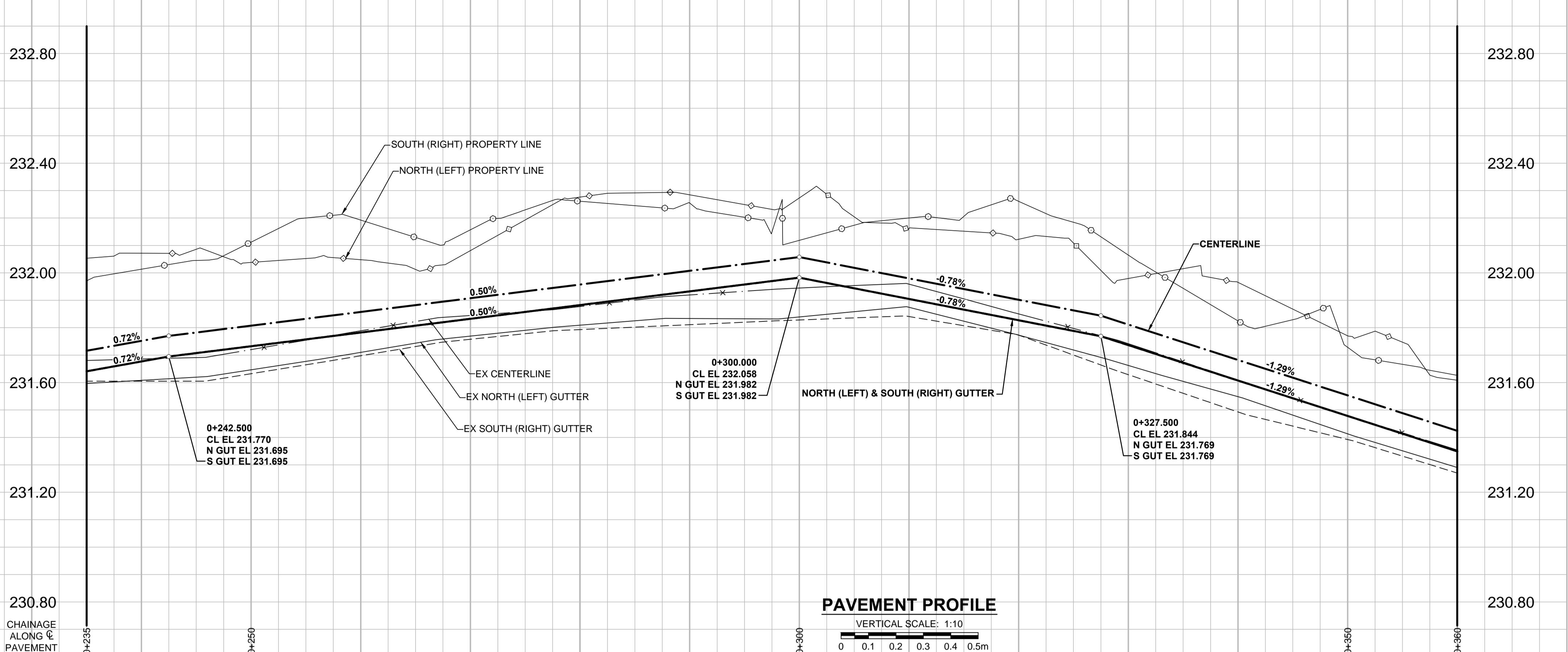


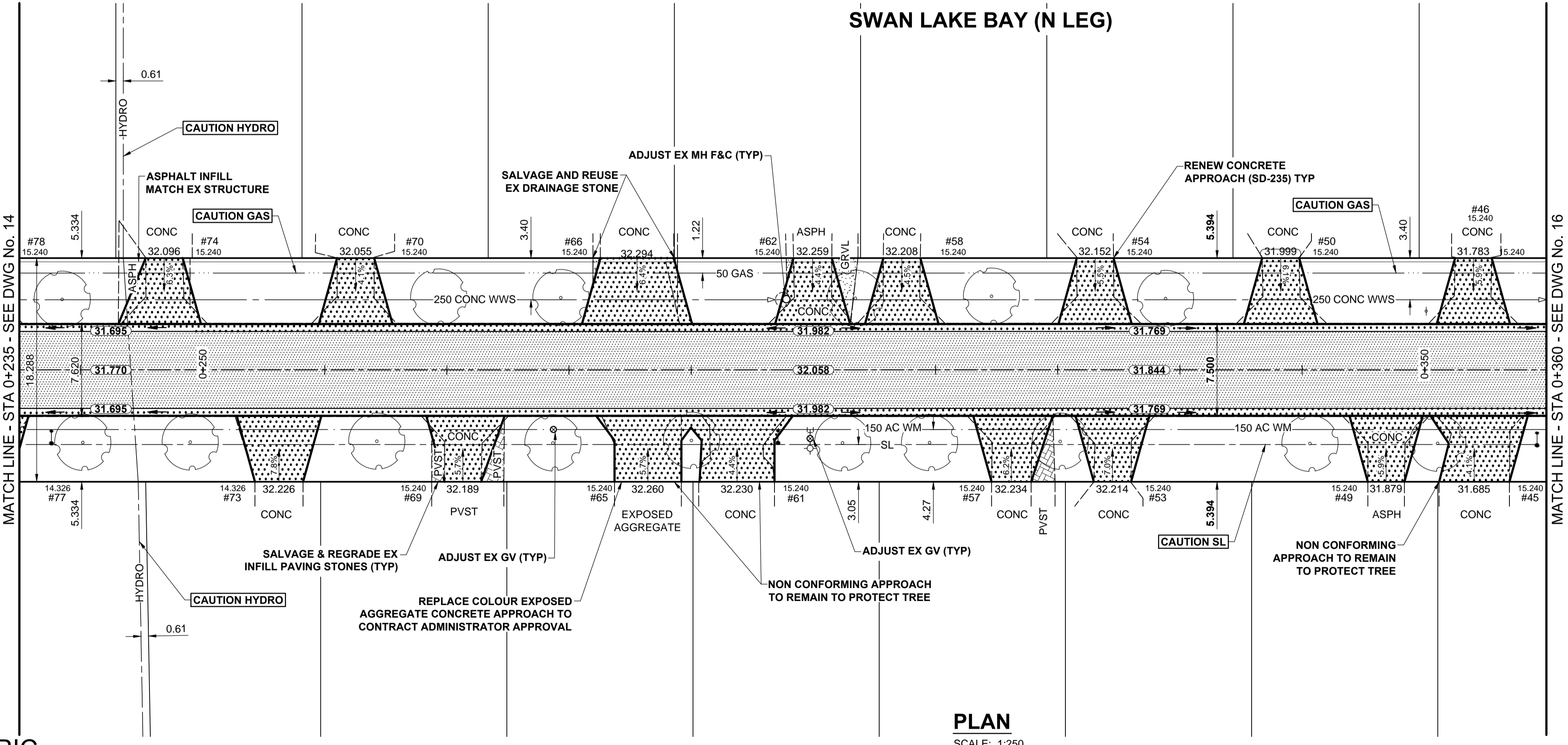
A1 SIZE 594mm x 841mm
PLOT: 4/29/2015 5:58:59 PM
FILE NAME: W150003.SwanLake-PP-03.dwg, Saved By: diane



PAVEMENT PROFILE
VERTICAL SCALE: 1:10
0 0.1 0.2 0.3 0.4 0.5m

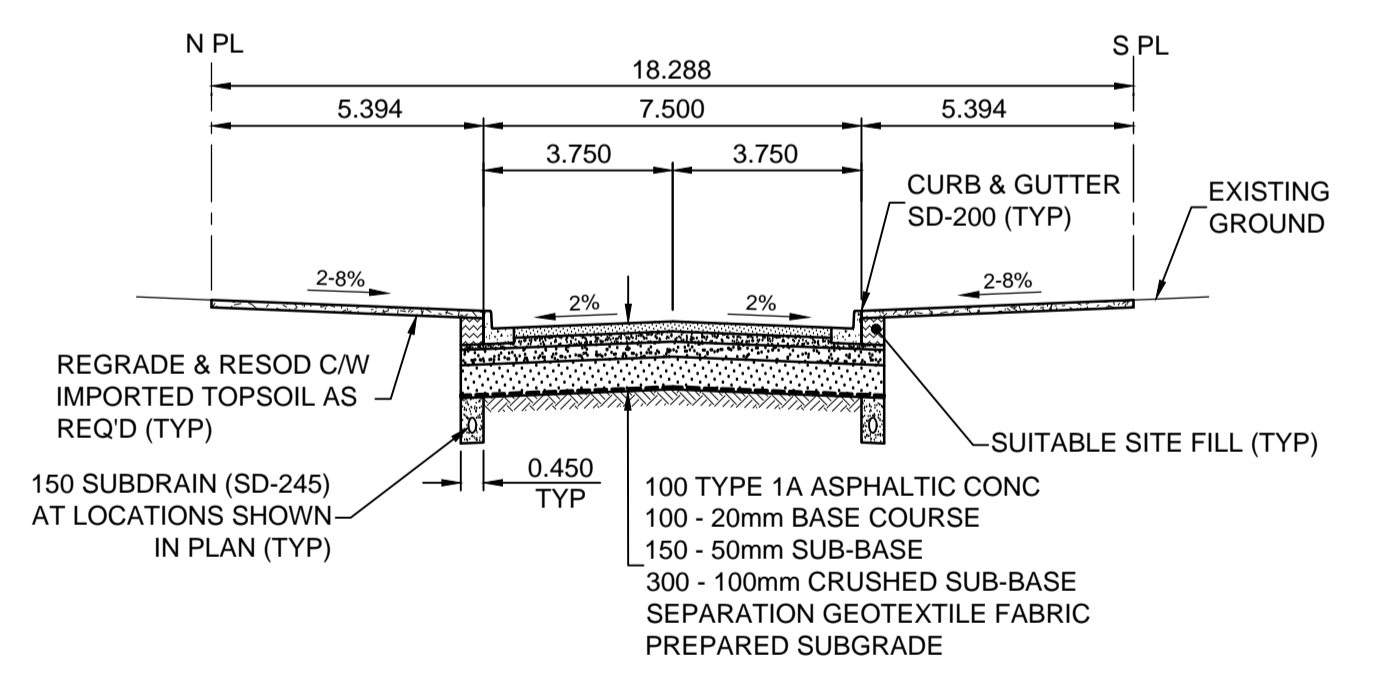
- NOTES**
- ADJUST MH AND CB RIMS TO NEW GRADES.
 - LAMP STANDARDS, HYDRO POLES, AND ANCHORS THAT REQUIRE TEMPORARY SUPPORT, REMOVAL OR REPLACEMENT, TO BE DONE SO AT THE EXPENSE OF THE CONTRACTOR AS NECESSARY.
 - CONTRACTOR TO REGRADE/RENEW EXISTING PRIVATE SIDEWALKS TO LIMITS AS SHOWN. SIDEWALKS TO BE RENEWED WITH CONCRETE UNLESS NOTED OTHERWISE.
 - CONTRACTOR TO TAKE PRECAUTIONARY STEPS TO PROTECT EXISTING TREES WITHIN THE LIMITS OF CONSTRUCTION FROM DAMAGE FROM CONSTRUCTION ACTIVITIES AS OUTLINED IN THE SPECIFICATIONS.
 - CONTRACTOR TO CONFIRM THE LOCATION OF ALL UTILITIES/SERVICES IN THE FIELD PRIOR TO CONSTRUCTION.
 - MODIFIED BARRIER CURB TO BE USED AT ALL INTERSECTION RADII, BACK LANE RADII AND BULLNOSES.
 - CB SD-023 & SD-024 OFFSETS ARE DIMENSIONED TO BOC. CB SD-025 OFFSETS ARE DIMENSIONED O.C.
 - ADD 200.000m TO ABBREVIATED ELEVATIONS TO OBTAIN GEODETIC ELEVATIONS.
 - IN GENERAL, PAVEMENT AND SIDEWALK AREAS TO BE REMOVED. MATCH RECONSTRUCTION LIMITS.
 - REFER TO BID OPPORTUNITY FOR DETAILS REGARDING TRAFFIC MANAGEMENT.

SWAN LAKE BAY (N LEG)



PLAN
SCALE: 1:250
0 5 10 15m

CONTROL LINE - COORDINATES		
NAME	NORTHING	EASTING
PT 0+218.367	10129.9027	9784.0369
PC 0+379.483	10181.3137	9936.7307



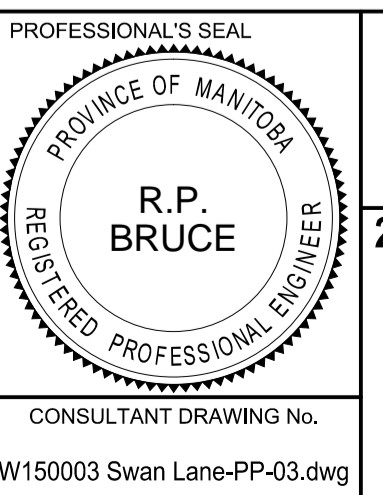
TYPICAL PAVEMENT SECTION
ASPHALT PAVEMENT STRUCTURE
SCALE: NTS

METRIC
WHOLE NUMBERS INDICATE MILLIMETRES
DECIMALIZED NUMBERS INDICATE METRES

EXISTING	LEGEND - PLAN	NEW	EXISTING	LEGEND - PLAN	NEW	EXISTING	LEGEND - PLAN	NEW	
	GAS		MANHOLE		CONCRETE PAVEMENT		LOCATION APPROVED		GAS
	MTS		CATCH BASIN / CATCH PIT		CONC SIDEWALK / MEDIAN		UNDERGROUND STRUCTURES		HYDRO
	HYDRO		CURB INLET WITH BOX		ASPHALT PAVEMENT		SUPR. UG STRUCTURES		CATV / FIBRE OPTIC
	CATV / FIBRE OPTIC		TREE		PAVING STONE		DATE		TRAFFIC SIGNALS / PIT
	LAND DRAINAGE SEWER		TEST HOLE		GRAVEL		PROPERTY LINE		SEWER SERV/DRAINAGE CONN
	SANITARY/COMBINED SEWER		PROPERTY LINE		RAMP CURB		SURVEY BAR		WATERMAIN
	SEWER SERV/DRAINAGE CONN		FENCE		PLANING / REMOVAL		BOC / EDGE OF PAVEMENT		SUBDRAIN
	WATERMAIN		BOC / EDGE OF PAVEMENT		EXISTING		ELEVATION		DITCH
	SUBDRAIN		ELEVATION		NEW		TRAFFIC SIGN		EXISTING
	DITCH		TRAFFIC SIGN		EXISTING		NEW		EXISTING

GBM 76-034 ELEV 231.984	N.W. Cor Chancellor Dr. & E. leg of Swan Lake Bay, Tbt on top of 0.05 m dia. x 2.4 m iron pipe, 0.6 m E. of W.L. of E. leg of Swan Lake Bay & 6.4 m S. of N.L. of Chancellor Dr.	DATE	BY
B	ISSUED FOR TENDER	15/04/20	RPB
A	ISSUED FOR CITY REVIEW	15/04/28	RPB
No.	REVISIONS	YYMMDDI	BY

		PROFESSIONAL'S SEAL	
DESIGNED BY	RPB	CHECKED BY	WRJ
DRAWN BY	DML	APPROVED BY	BWB
HOR. SCALE	1:250	RELEASED FOR CONSTRUCTION	
VERT. SCALE	1:10	DATE	15/04/28



THE CITY OF WINNIPEG
PUBLIC WORKS DEPARTMENT
ENGINEERING DIVISION

2015 LOCAL STREET & ALLEY RENEWAL PROGRAM
SWAN LAKE BAY
CHANCELLOR DR TO CHANCELLOR DR
ASPHALT RECONSTRUCTION
HORIZONTAL AND VERTICAL ALIGNMENT
STA 0+235 TO STA 0+360

CITY DRAWING NUMBER: N/A
SHEET 15 OF 31
DRAWING No. 15
REV B

BID OPPORTUNITY No. 18-2015