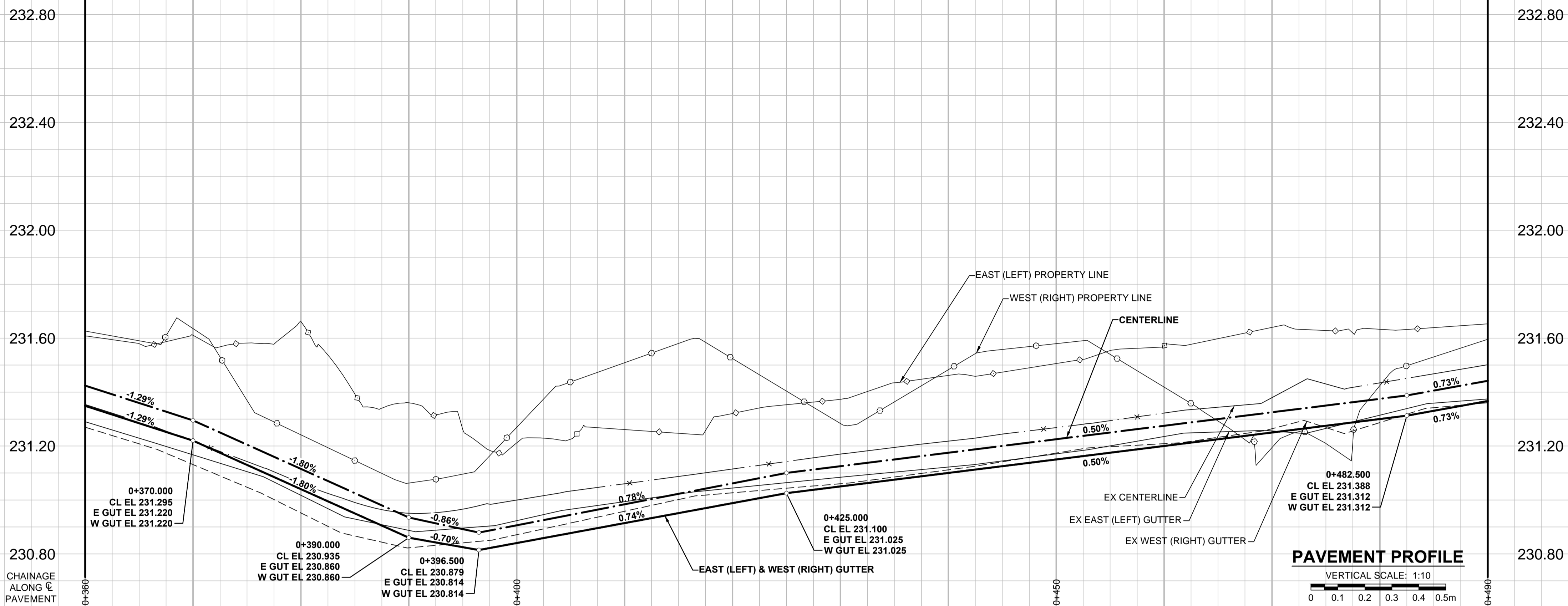


A1 SIZE 594mm x 841mm



- NOTES**
- ADJUST MH AND CB RIMS TO NEW GRADES.
 - LAMP STANDARDS, HYDRO POLES, AND ANCHORS THAT REQUIRE TEMPORARY SUPPORT, REMOVAL OR REPLACEMENT, TO BE DONE SO AT THE EXPENSE OF THE CONTRACTOR AS NECESSARY.
 - CONTRACTOR TO REGRADE/RENEW EXISTING PRIVATE SIDEWALKS TO LIMITS AS SHOWN. SIDEWALKS TO BE RENEWED WITH CONCRETE UNLESS NOTED OTHERWISE.
 - CONTRACTOR TO TAKE PRECAUTIONARY STEPS TO PROTECT EXISTING TREES WITHIN THE LIMITS OF CONSTRUCTION FROM DAMAGE FROM CONSTRUCTION ACTIVITIES AS OUTLINED IN THE SPECIFICATIONS.
 - CONTRACTOR TO CONFIRM THE LOCATION OF ALL UTILITIES/SERVICES IN THE FIELD PRIOR TO CONSTRUCTION.
 - MODIFIED BARRIER CURB TO BE USED AT ALL INTERSECTION RADII, BACK LANE RADII AND BULLNOSES.
 - CB SD-023 & SD-024 OFFSETS ARE DIMENSIONED TO BOC. CB SD-025 OFFSETS ARE DIMENSIONED O/C.
 - ADD 200.000m TO ABBREVIATED ELEVATIONS TO OBTAIN GEODETIC ELEVATIONS.
 - IN GENERAL, PAVEMENT AND SIDEWALK AREAS TO BE REMOVED. MATCH CONSTRUCTION LIMITS.
 - REFER TO BID OPPORTUNITY FOR DETAILS REGARDING TRAFFIC MANAGEMENT.

CONTROL LINE - COORDINATES

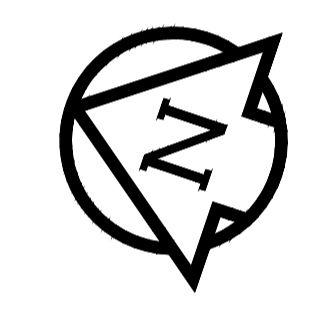
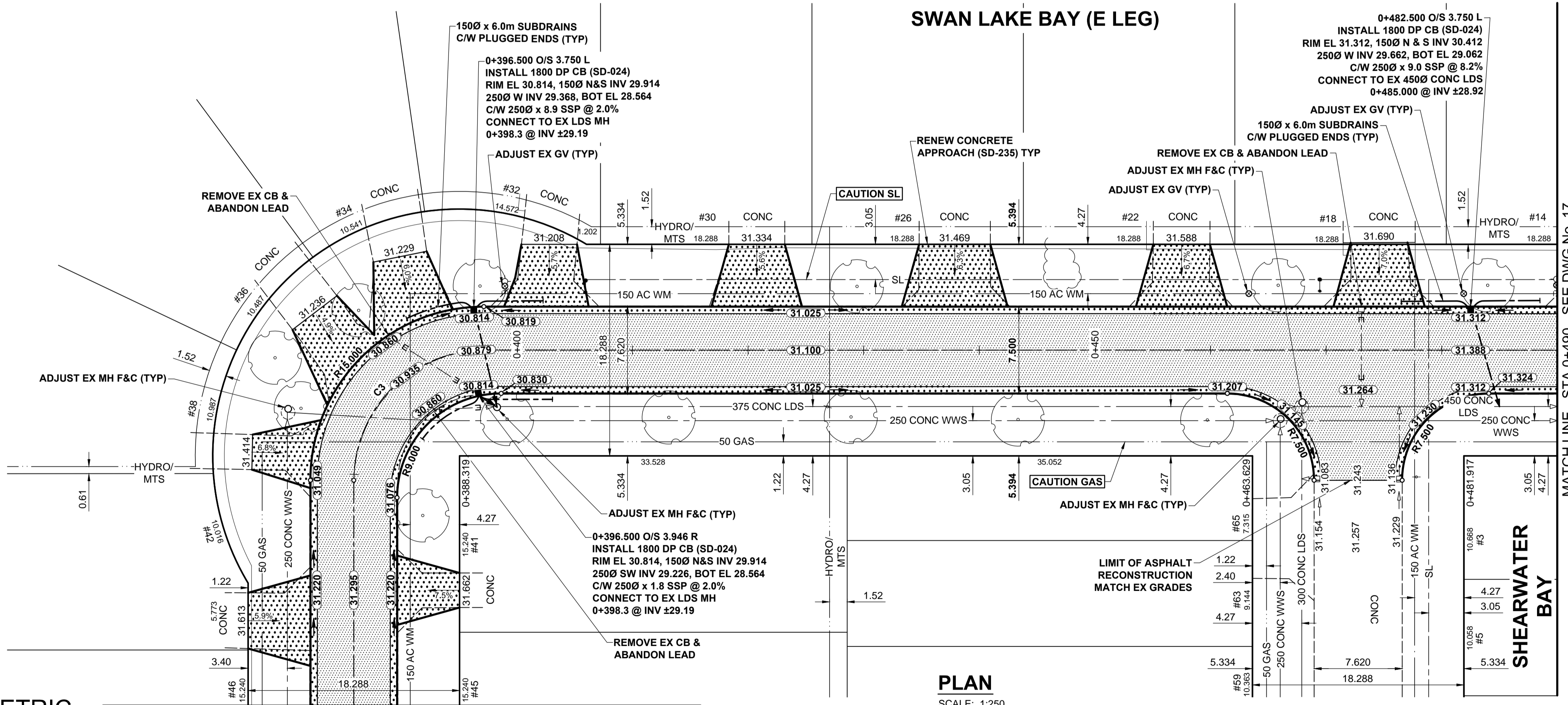
NAME	NORTHING	EASTING
PT 0+218.367	10129.9027	9784.0369
PC 0+379.483	10181.3137	9936.7307
PT 0+397.155	10174.2416	9950.9824
POT 0+590.000	9991.4774	10012.5179

CONTROL LINE - CURVES

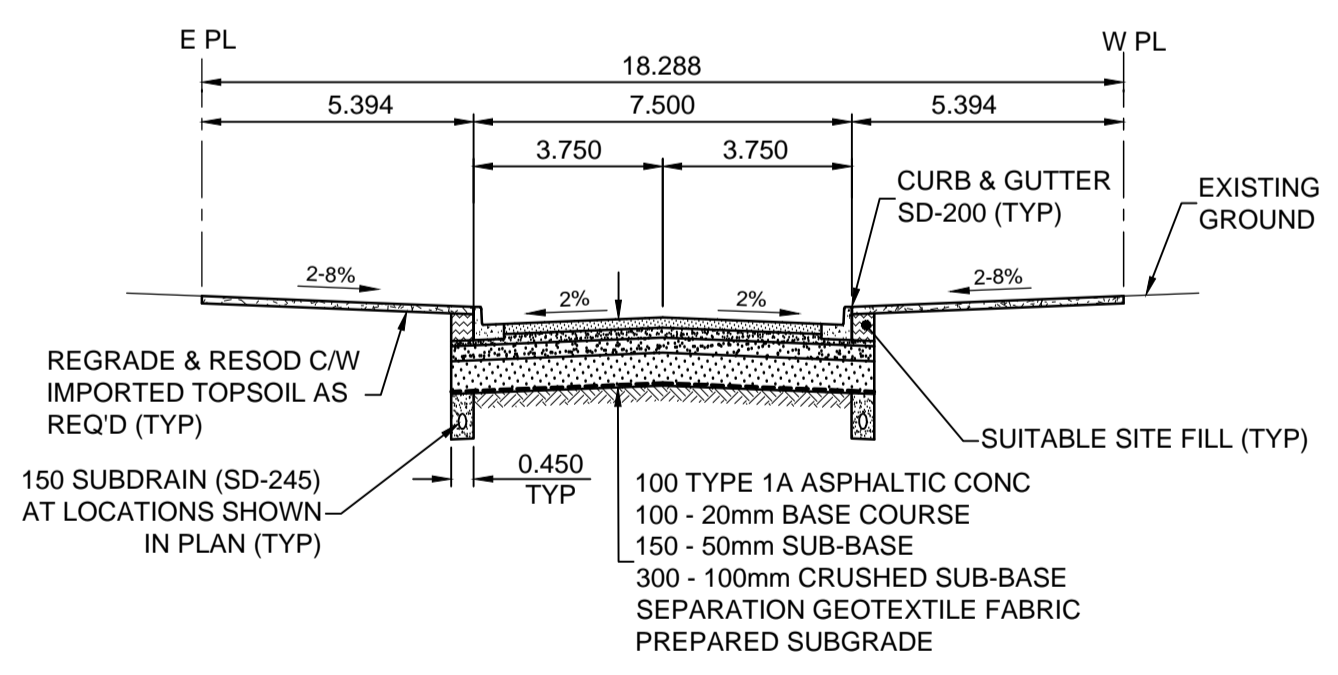
CURVE	RADIUS	LENGTH	DELTA	TANGENT
C3	11.250	17.671	90°00'00"	11.250

PLOT: 4/29/2015 5:59:46 PM

SWAN LAKE BAY (E LEG)



MATCH LINE - STA 0+490 - SEE DWG No. 17



TYPICAL PAVEMENT SECTION
ASPHALT PAVEMENT STRUCTURE
SCALE: NTS

METRIC
WHOLE NUMBERS INDICATE MILLIMETRES
DECIMALIZED NUMBERS INDICATE METRES

EXISTING	LEGEND - PLAN	NEW	EXISTING	LEGEND - PLAN	NEW	EXISTING	LEGEND - PLAN	NEW	
	GAS		MANHOLE		CONCRETE PAVEMENT		LOCATION APPROVED		GAS
	MTS		CATCH BASIN / CATCH PIT		CONC SIDEWALK / MEDIAN		UNDERGROUND STRUCTURES		HYDRO
	HYDRO		CURB INLET WITH BOX		ASPHALT PAVEMENT		SUPR. UG STRUCTURES		CATV / FIBRE OPTIC
	CATV / FIBRE OPTIC		TREE		PAVING STONE		DATE		TRAFFIC SIGNALS / PIT
	TRAFFIC SIGNALS / PIT		TEST HOLE		GRAVEL		NOTE:		LAND DRAINAGE SEWER
	LAND DRAINAGE SEWER		PROPERTY LINE		RAMP CURB		LOCATION OF UNDERGROUND STRUCTURES AS SHOWN ARE BASED ON THE BEST INFORMATION AVAILABLE. BUT NO GUARANTEE IS GIVEN THAT ALL EXISTING UTILITIES ARE SHOWN OR THAT THE GIVEN LOCATIONS ARE EXACT. CONFIRMATION OF EXISTENCE AND EXACT LOCATION OF ALL SERVICES MUST BE OBTAINED FROM THE INDIVIDUAL UTILITIES BEFORE PROCEEDING WITH CONSTRUCTION.		SANITARY/COMBINED SEWER
	SANITARY/COMBINED SEWER		SURVEY BAR		PLANING / REMOVAL		INFORMATION AVAILABLE. BUT NO GUARANTEE IS GIVEN THAT ALL EXISTING UTILITIES ARE SHOWN OR THAT THE GIVEN LOCATIONS ARE EXACT. CONFIRMATION OF EXISTENCE AND EXACT LOCATION OF ALL SERVICES MUST BE OBTAINED FROM THE INDIVIDUAL UTILITIES BEFORE PROCEEDING WITH CONSTRUCTION.		SEWER SERV/DRAINAGE CONN
	SEWER SERV/DRAINAGE CONN		FENCE		EXISTING		REVISIONS		WATERMAIN
	WATERMAIN		BOC / EDGE OF PAVEMENT		NEW		DATE		SUBDRAIN
	SUBDRAIN		ELEVATION		EXISTING		DATE		DITCH
	DITCH		TRAFFIC SIGN		EXISTING		DATE		EXISTING

LOCATION APPROVED UNDERGROUND STRUCTURES

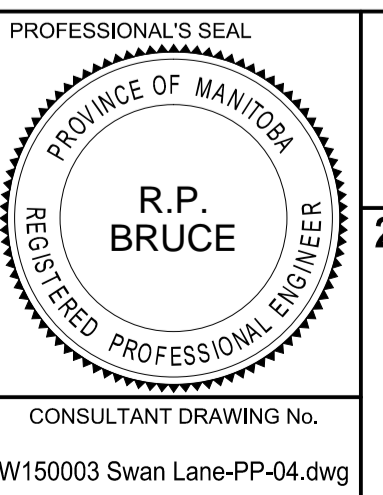
SUPR. UG STRUCTURES DATE COMMITTEE

NOTE:
LOCATION OF UNDERGROUND STRUCTURES AS SHOWN ARE BASED ON THE BEST INFORMATION AVAILABLE. BUT NO GUARANTEE IS GIVEN THAT ALL EXISTING UTILITIES ARE SHOWN OR THAT THE GIVEN LOCATIONS ARE EXACT. CONFIRMATION OF EXISTENCE AND EXACT LOCATION OF ALL SERVICES MUST BE OBTAINED FROM THE INDIVIDUAL UTILITIES BEFORE PROCEEDING WITH CONSTRUCTION.

B	ISSUED FOR TENDER	15/04/30	RPB
A	ISSUED FOR CITY REVIEW	15/04/28	RPB
No.	REVISIONS	YYMMDDI	BY

MORRISON HERSHFIELD

DESIGNED BY	RPB	CHECKED BY	WRJ
DRAWN BY	DML	APPROVED BY	BWB
HOR. SCALE	1:250	RELEASED FOR CONSTRUCTION	
VERT. SCALE	1:10	DATE	15/04/28



THE CITY OF WINNIPEG
PUBLIC WORKS DEPARTMENT
ENGINEERING DIVISION

2015 LOCAL STREET & ALLEY RENEWAL PROGRAM
SWAN LAKE BAY
CHANCELLOR DR TO CHANCELLOR DR
ASPHALT RECONSTRUCTION
HORIZONTAL AND VERTICAL ALIGNMENT
STA 0+360 TO STA 0+490

CITY DRAWING NUMBER: N/A
SHEET 16 OF 31
DRAWING No. 16
REV B

BID OPPORTUNITY No. 18-2015

FILE NAME: W150003.Swan Lake-PP-04.dwg, Saved By: diane