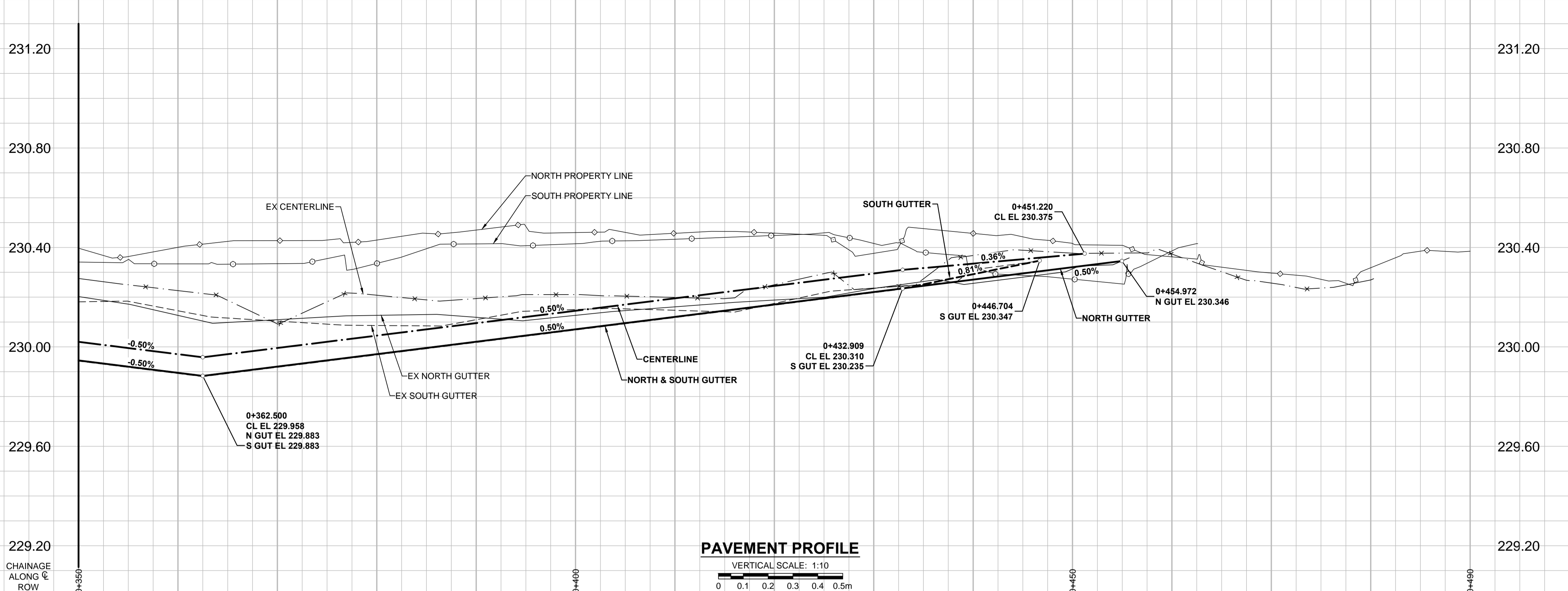
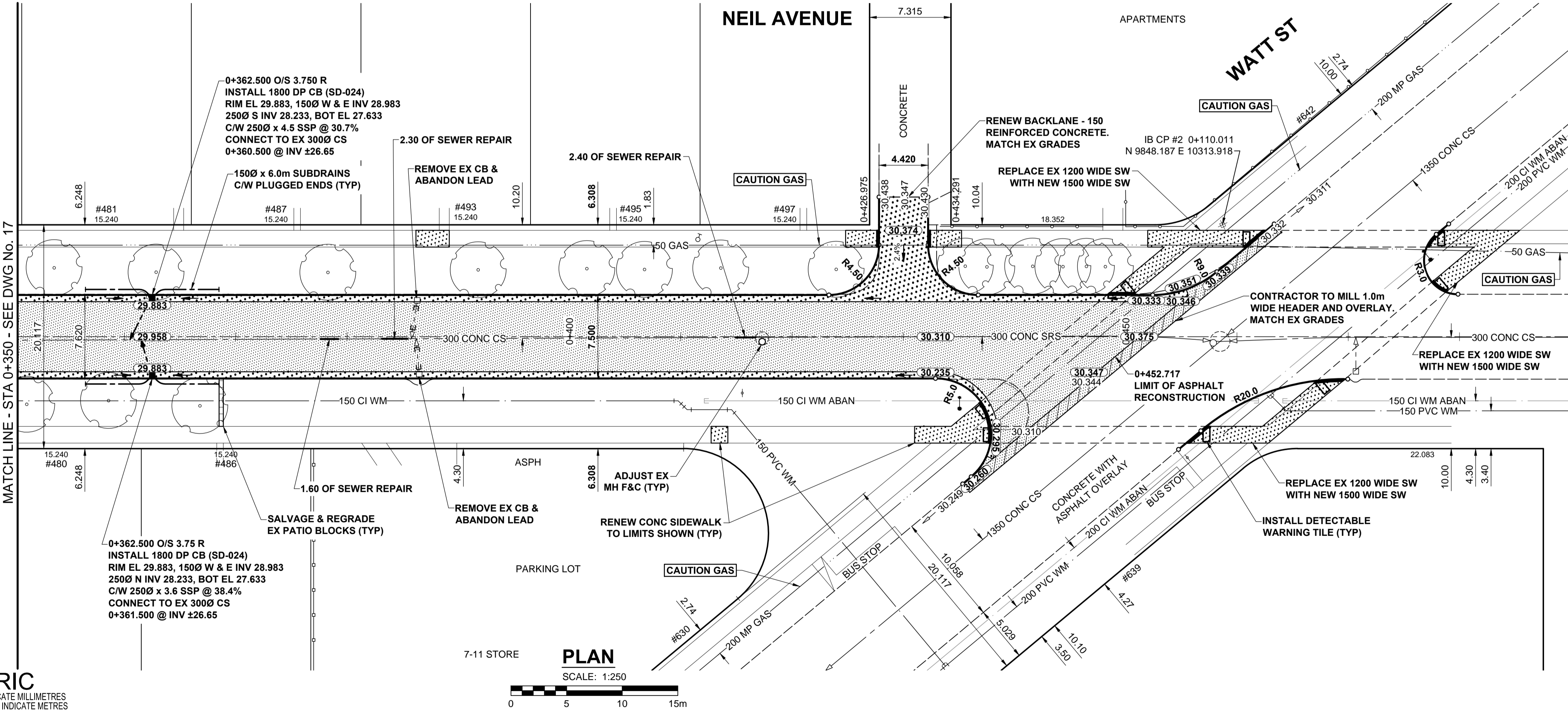


A1 SIZE 594mm x 841mm
PLOT: 3/31/2015 11:42:25 AM
FILE NAME: W150004-Neil-PP-03.dwg
Samed By: diane



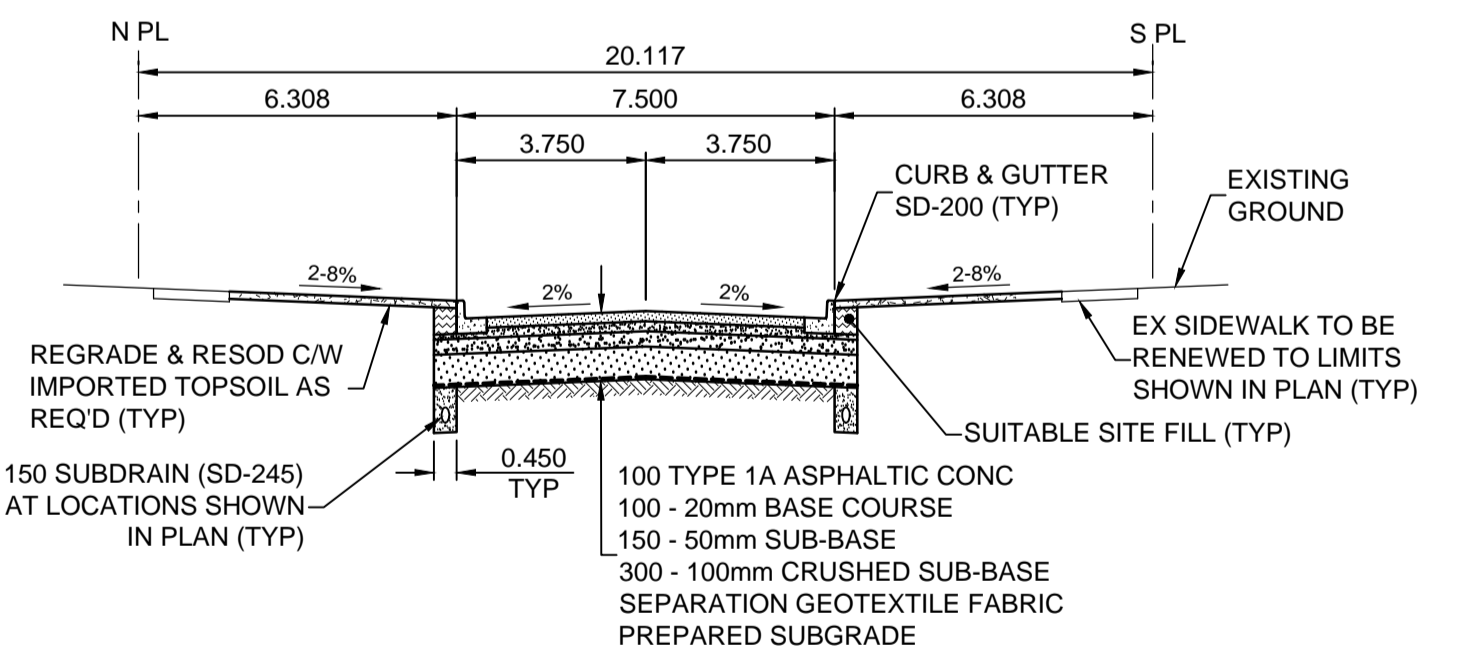
- NOTES**
- ADJUST MH AND CB RIMS TO NEW GRADES.
 - LAMP STANDARDS, HYDRO POLES, AND ANCHORS THAT REQUIRE TEMPORARY SUPPORT, REMOVAL OR REPLACEMENT, TO BE DONE SO AT THE EXPENSE OF THE CONTRACTOR AS NECESSARY.
 - CONTRACTOR TO REGRADE/RENEW EXISTING PRIVATE SIDEWALKS TO LIMITS AS SHOWN. SIDEWALKS TO BE RENEWED WITH CONCRETE UNLESS NOTED OTHERWISE.
 - CONTRACTOR TO TAKE PRECAUTIONARY STEPS TO PROTECT EXISTING TREES WITHIN THE LIMITS OF CONSTRUCTION FROM DAMAGE FROM CONSTRUCTION ACTIVITIES AS OUTLINED IN THE SPECIFICATIONS.
 - CONTRACTOR TO CONFIRM THE LOCATION OF ALL UTILITIES/SERVICES IN THE FIELD PRIOR TO CONSTRUCTION.
 - MODIFIED BARRIER CURB TO BE USED AT ALL INTERSECTION RADII, BACK LANE RADII AND BULLNOSES.
 - CB SD-023 & SD-024 OFFSETS ARE DIMENSIONED TO BOC. CB SD-025 OFFSETS ARE DIMENSIONED O/C.
 - ADD 200.000m TO ABBREVIATED ELEVATIONS TO OBTAIN GEODETIC ELEVATIONS.
 - IN GENERAL, PAVEMENT AND SIDEWALK AREAS TO BE REMOVED. MATCH RECONSTRUCTION LIMITS.
 - REFER TO BID OPPORTUNITY FOR DETAILS REGARDING TRAFFIC MANAGEMENT.

PAVEMENT PROFILE
VERTICAL SCALE: 1:10
0 0.1 0.2 0.3 0.4 0.5m



CONTROL LINE - COORDINATES

NAME	NORTHING	EASTING
POT 0+110.000	9990.950	9995.611
POT 0+480.000	9829.864	10328.704



TYPICAL PAVEMENT SECTION
ASPHALT PAVEMENT STRUCTURE
SCALE: NTS

METRIC
WHOLE NUMBERS INDICATE MILLIMETRES
DECIMALIZED NUMBERS INDICATE METRES

EXISTING	LEGEND - PLAN	NEW	EXISTING	LEGEND - PLAN	NEW	EXISTING	LEGEND - PLAN	NEW	
	GAS		MANHOLE		CONCRETE PAVEMENT		LOCATION APPROVED		GAS
	MTS		CATCH BASIN / CATCH PIT		CONC SIDEWALK / MEDIAN		SUPR. U/G STRUCTURES		HYDRO
	CATV / FIBRE OPTIC		CURB INLET WITH BOX		ASPHALT PAVEMENT		DATE		TRAFFIC SIGNALS / PIT
	LAND DRAINAGE SEWER		TREE		PAVING STONE		COMMITTEE		TEST HOLE
	SANITARY/COMBINED SEWER		PROPERTY LINE		GRAVEL		NOTE:		SURVEY BAR
	SEWER SERV/DRAINAGE CONN		FENCE		RAMP CURB		LOCATION OF UNDERGROUND STRUCTURES AS SHOWN ARE BASED ON THE BEST INFORMATION AVAILABLE. BUT NO GUARANTEE IS GIVEN THAT ALL EXISTING UTILITIES ARE SHOWN OR THAT THE GIVEN LOCATIONS ARE EXACT. CONFIRMATION OF EXISTENCE AND EXACT LOCATION OF ALL SERVICES MUST BE OBTAINED FROM THE INDIVIDUAL UTILITIES BEFORE PROCEEDING WITH CONSTRUCTION.		ELEVATION (33.100)
	WATERMAIN		BOC / EDGE OF PAVEMENT		PLANING / REMOVAL		REVISIONS		TRAFFIC SIGN
	SUBDRAIN		SURVEY BAR						
	DITCH		FENCE						

GBM 12-062
ELEV 230.128
N.E. Cor. Watt St. & Kimberly Ave., Tbt. on top of 0.05 m dia. x 2.4 non pipe, 0.3 m W. of E.L. of Watt St. & on N.E. of Kimberly Ave.

DESIGNED BY	BY	CHECKED BY	BY
R.P.B.	R.P.B.	W.R.J.	W.R.J.
DRAWN BY	D.M.L.	APPROVED BY	B.W.B.
HOR. SCALE	1:250	RELEASED FOR CONSTRUCTION	
VERT. SCALE	1:10		
DATE	15/03/16	DATE	

MORRISON HERSHFIELD

DESIGNED BY: RPB
DRAWN BY: DML
HOR. SCALE: 1:250
VERT. SCALE: 1:10
DATE: 15/03/16

CHECKED BY: WRJ
APPROVED BY: BWB
RELEASED FOR CONSTRUCTION
DATE:

PROFESSIONAL'S SEAL
PROVINCE OF MANITOBA
REGISTERED PROFESSIONAL ENGINEER
R.P. BRUCE
CONSULTANT DRAWING No. W150004 Neil-PP-03.dwg

THE CITY OF WINNIPEG
PUBLIC WORKS DEPARTMENT
ENGINEERING DIVISION

2015 LOCAL STREET & ALLEY RENEWAL PROGRAM
NEIL AVENUE
ROCH ST TO WATT ST
ASPHALT RECONSTRUCTION
HORIZONTAL AND VERTICAL ALIGNMENT
STA 0+350 TO STA 0+490

CITY DRAWING NUMBER: N/A
SHEET 18 OF 39
DRAWING No. 18
REV B

BID OPPORTUNITY No. 19-2015