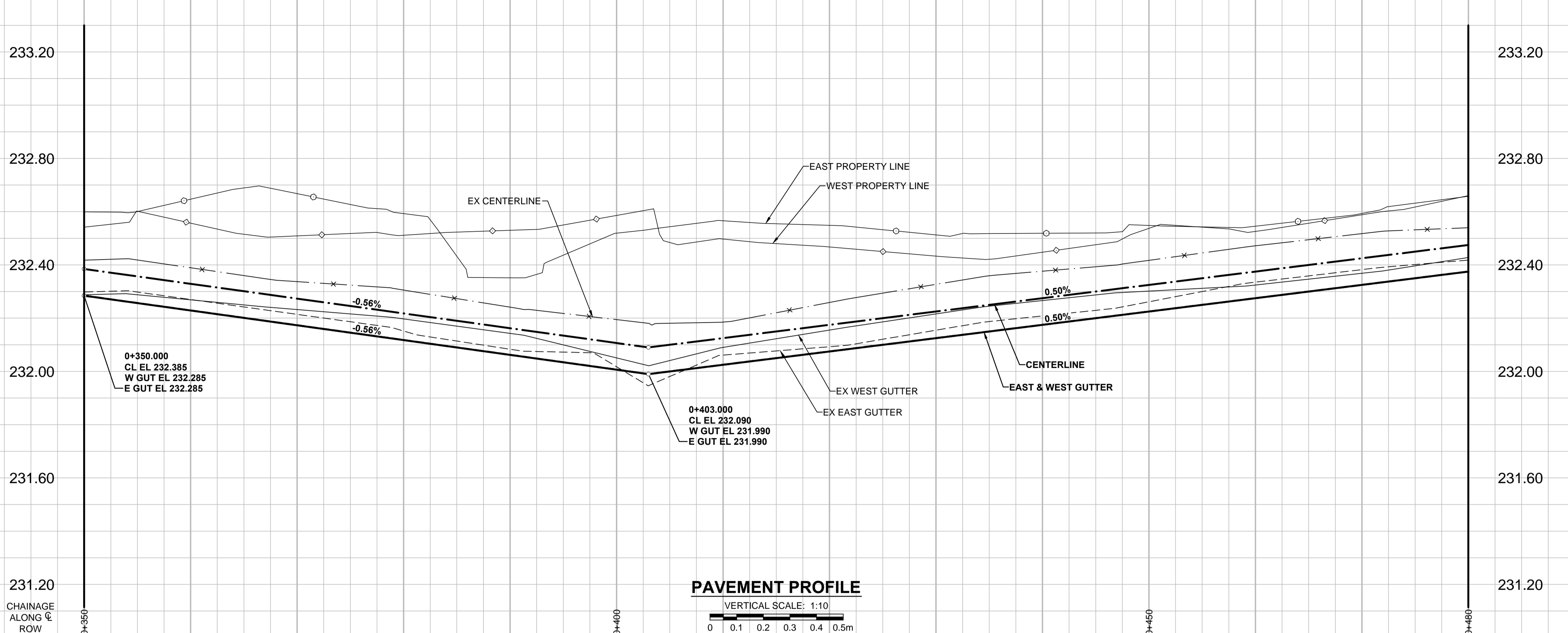
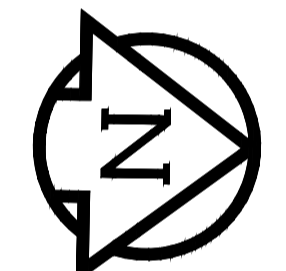
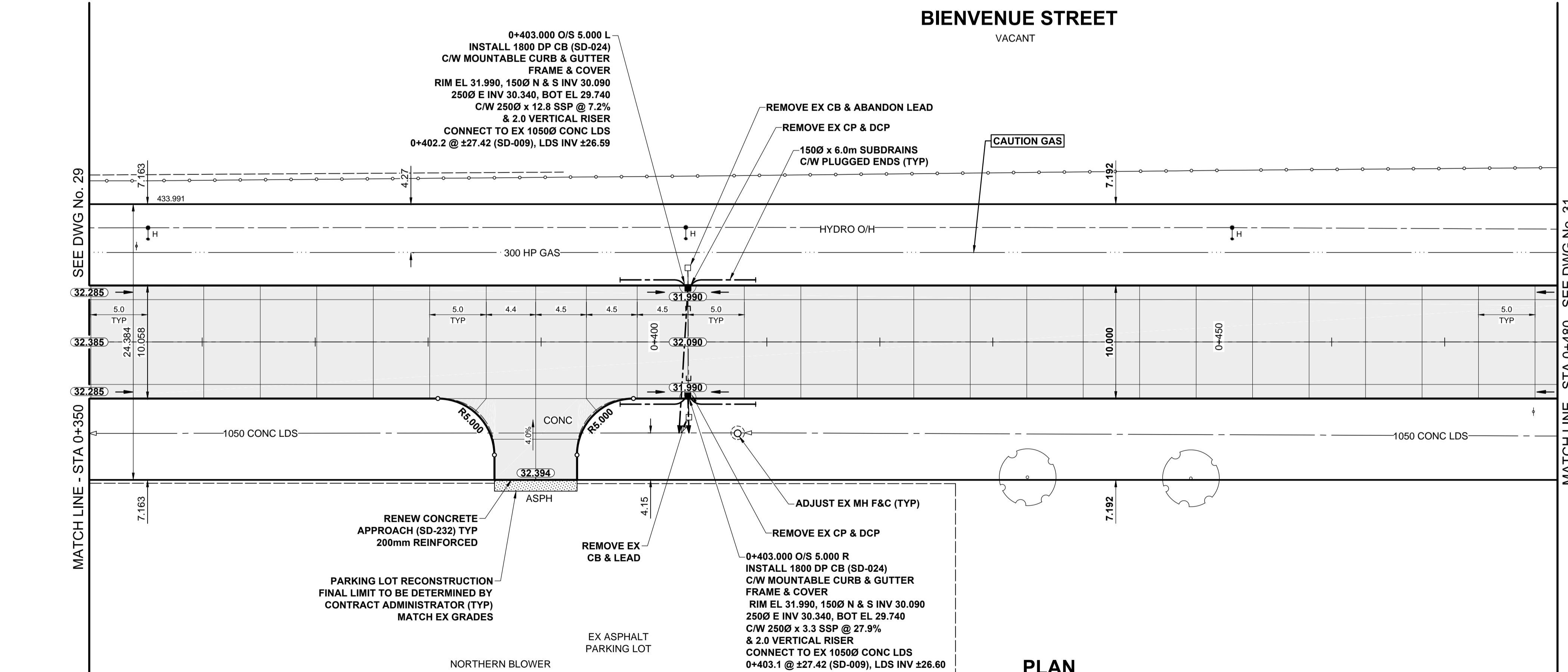


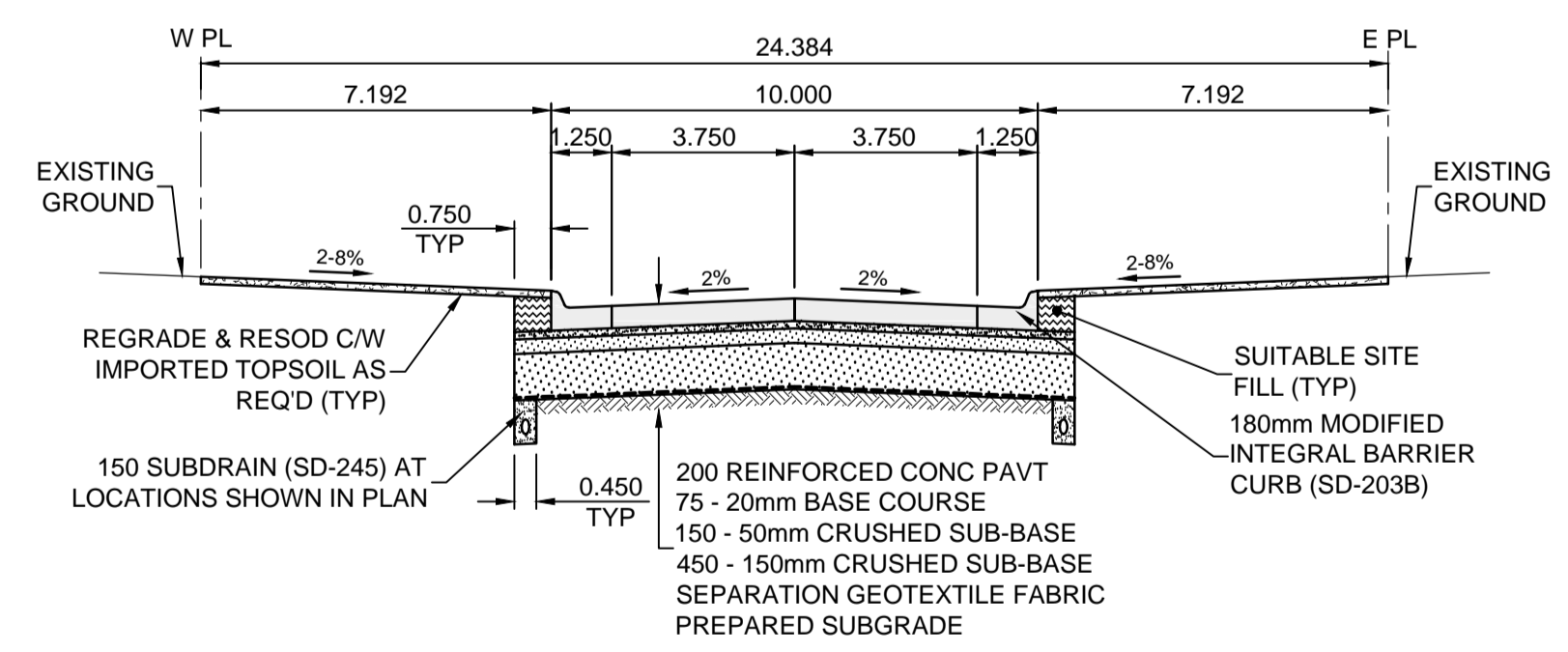
A1 SIZE 594mm x 841mm
PLOT: 3/31/2015 11:50:39 AM
FILE NAME: W150004-Bienvenue-PP-03.dwg Saved By: Diane



- NOTES**
- ADJUST MH AND CB RIMS TO NEW GRADES.
 - LAMP STANDARDS, HYDRO POLES, AND ANCHORS THAT REQUIRE TEMPORARY SUPPORT, REMOVAL OR REPLACEMENT, TO BE DONE SO AT THE EXPENSE OF THE CONTRACTOR AS NECESSARY.
 - CONTRACTOR TO REGRADE/RENEW EXISTING PRIVATE SIDEWALKS TO LIMITS AS SHOWN. SIDEWALKS TO BE RENEWED WITH CONCRETE UNLESS NOTED OTHERWISE.
 - CONTRACTOR TO TAKE PRECAUTIONARY STEPS TO PROTECT EXISTING TREES WITHIN THE LIMITS OF CONSTRUCTION FROM DAMAGE FROM CONSTRUCTION ACTIVITIES AS OUTLINED IN THE SPECIFICATIONS.
 - CONTRACTOR TO CONFIRM THE LOCATION OF ALL UTILITIES/SERVICES IN THE FIELD PRIOR TO CONSTRUCTION.
 - CB SD-023 & SD-024 OFFSETS ARE DIMENSIONED TO BOC. CB SD-025 OFFSETS ARE DIMENSIONED O.C.
 - ADD 200.000m TO ABBREVIATED ELEVATIONS TO OBTAIN GEODETIC ELEVATIONS.
 - IN GENERAL, PAVEMENT AND SIDEWALK AREAS TO BE REMOVED. MATCH RECONSTRUCTION LIMITS.
 - REFER TO BID OPPORTUNITY FOR DETAILS REGARDING TRAFFIC MANAGEMENT.



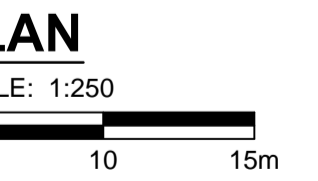
MATCH LINE - STA 0+480 - SEE DWG No. 31



TYPICAL PAVEMENT SECTION
CONCRETE PAVEMENT STRUCTURE
SCALE: NTS

METRIC
WHOLE NUMBERS INDICATE MILLIMETRES
DECIMALIZED NUMBERS INDICATE METRES

EXISTING	LEGEND - PLAN	NEW	EXISTING	LEGEND - PLAN	NEW	EXISTING	LEGEND - PLAN	NEW	
	GAS		MANHOLE		CONCRETE PAVEMENT		LOCATION APPROVED		GAS
	MTS		CATCH BASIN / CATCH PIT		CONC SIDEWALK / MEDIAN		UNDERGROUND STRUCTURES		HYDRO
	HYDRO		CURB INLET WITH BOX		ASPHALT PAVEMENT		SUPR. UG STRUCTURES		CATV / FIBRE OPTIC
	CATV / FIBRE OPTIC		TREE		PAVING STONE		DATE		TRAFFIC SIGNALS / PIT
	TRAFFIC SIGNALS / PIT		TEST HOLE		GRAVEL		NOTE:		LAND DRAINAGE SEWER
	LAND DRAINAGE SEWER		PROPERTY LINE		RAMP CURB		LOCATION OF UNDERGROUND STRUCTURES AS SHOWN ARE BASED ON THE BEST INFORMATION AVAILABLE. BUT NO GUARANTEE IS GIVEN THAT ALL EXISTING UTILITIES ARE SHOWN OR THAT THE GIVEN LOCATIONS ARE EXACT. CONFIRMATION OF EXISTENCE AND EXACT LOCATION OF ALL SERVICES MUST BE OBTAINED FROM THE INDIVIDUAL UTILITIES BEFORE PROCEEDING WITH CONSTRUCTION.		SANITARY/COMBINED SEWER
	SANITARY/COMBINED SEWER		SURVEY BAR		PLANING / REMOVAL		REVISIONS		SEWER SERV/DRAINAGE CONN
	SEWER SERV/DRAINAGE CONN		FENCE		EXISTING		No.		WATERMAIN
	WATERMAIN		BOC / EDGE OF PAVEMENT		NEW		DATE		SUBDRAIN
	SUBDRAIN		ELEVATION		EXISTING		DATE		DITCH
	DITCH		TRAFFIC SIGN		EXISTING		DATE		EXISTING



GBM 29-005	N.E. Cor. Ravelston Ave. W. & C.N.R. Victoria Branch Line, 19 mm x 4.6 in I.B. in Valve Box in centre of Hydro Tower No. 17 on N. side of Ravelston Ave. W. & E. side of railway tracks in C.N.R. R.O.W.		
A	ISSUED FOR CITY REVIEW	15/03/16	RPB
B	ISSUED FOR TENDER	15/03/16	RPB
No.	REVISIONS	YYMMDDI	BY

MORRISON HERSHFELD

DESIGNED BY: RPB
CHECKED BY: WRJ
DRAWN BY: DML
APPROVED BY: BWB

HOR. SCALE: 1:250
VERT. SCALE: 1:10
DATE: 15/03/16

PROFESSIONAL'S SEAL
PROVINCE OF MANITOBA
REGISTERED PROFESSIONAL ENGINEER
R.P. BRUCE
CONSULTANT DRAWING No. W150004 Bienvenue-PP-03.dwg

THE CITY OF WINNIPEG
PUBLIC WORKS DEPARTMENT
ENGINEERING DIVISION

2015 LOCAL STREET & ALLEY RENEWAL PROGRAM
BIENVENUE STREET
REGENT AV W TO RAVELSTON AV W
CONCRETE RECONSTRUCTION
HORIZONTAL AND VERTICAL ALIGNMENT
STA 0+350 TO STA 0+480

CITY DRAWING NUMBER: N/A
SHEET 30 OF 39
DRAWING No. 30
REV B

BID OPPORTUNITY No. 19-2015