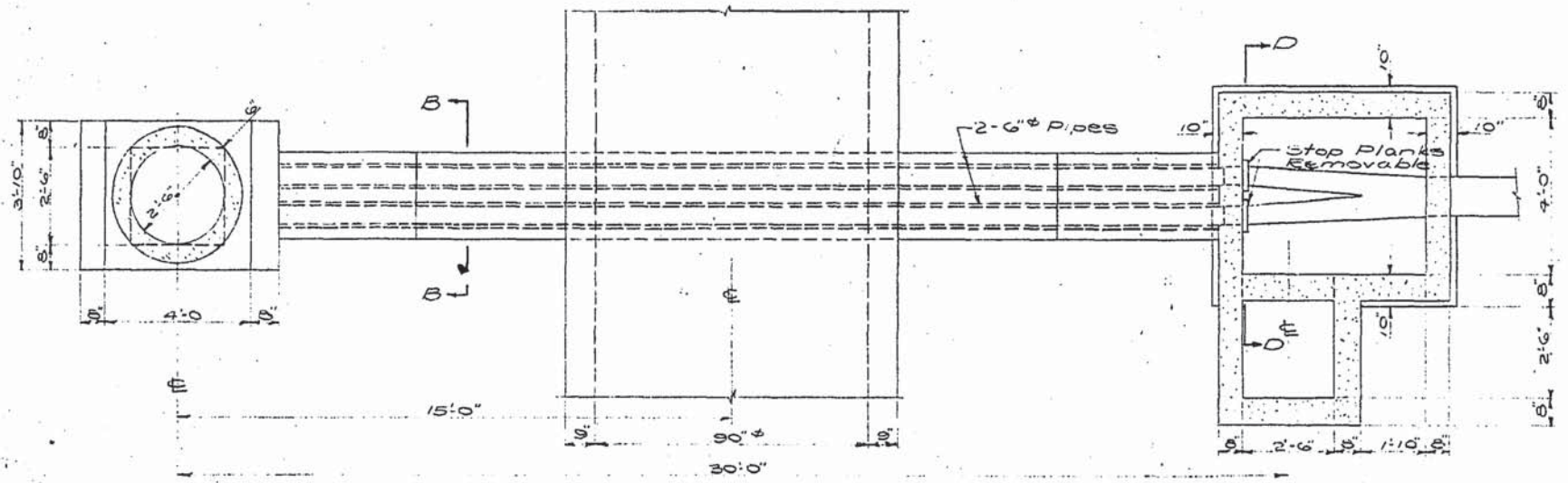
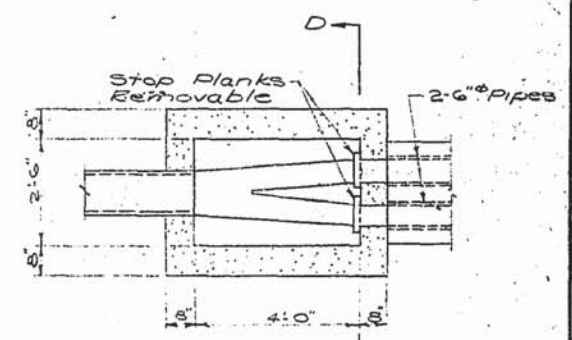


Appendix E

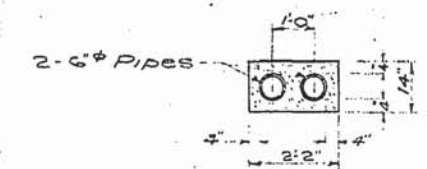
ST-1A Assiniboine Crescent Siphon As-Built Drawing



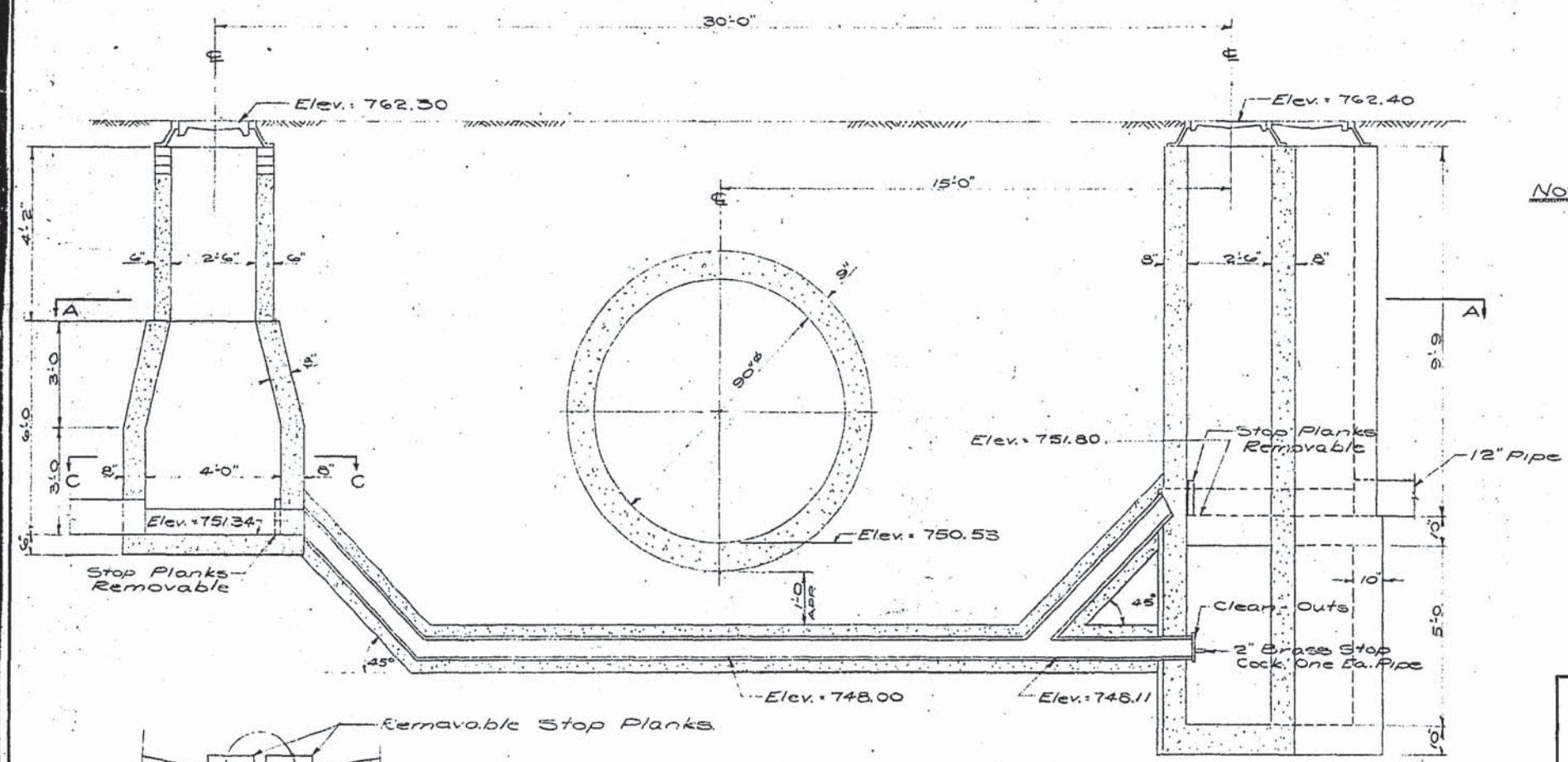
SECTION A-A



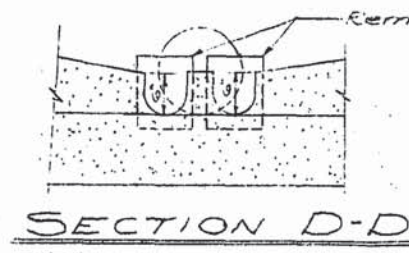
SECTION C-C



SECTION B-B



TYPICAL CROSS SECTION



SECTION D-D

- NOTES:**
1. All Concrete Shall have a minimum compressive strength of 2500 p.s.i. @ 28 days.
 2. All concrete shall be mixed with an approved alkali-sulphate resisting cement.
 3. Reinf. steel shall be intermediate grade deformed.
 4. Minimum coverage for steel to be 2".
 5. Reinf. for rectangular manhole #4 @ 9" E.W. inside face.

1 changed Sept Elevations on Symon 1957 L.M.



W. L. WARDROP & ASSOCIATES ENGINEERING CONSULTANTS WINNIPEG CANADA	
PLAN & SECTION OF INVERTED SYPHON UNDER 90" SEWER AT ASSINIBOINE CRESCENT	
Scale: 3/8" = 1'-0"	Date: AUG. 12, 1957
Designed By: E. W. MCKNIGHT	Project No. 5739
Drawn By: T. ODAGUCHI	Drawing No.
Checked By: R. L. MCGINNIS	ST-1

3714-D