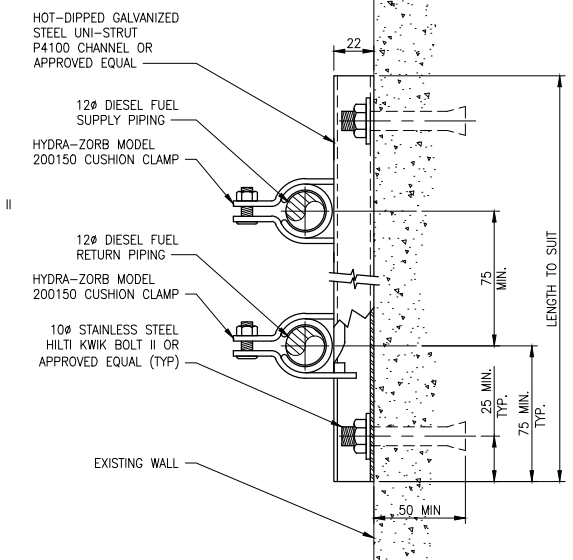
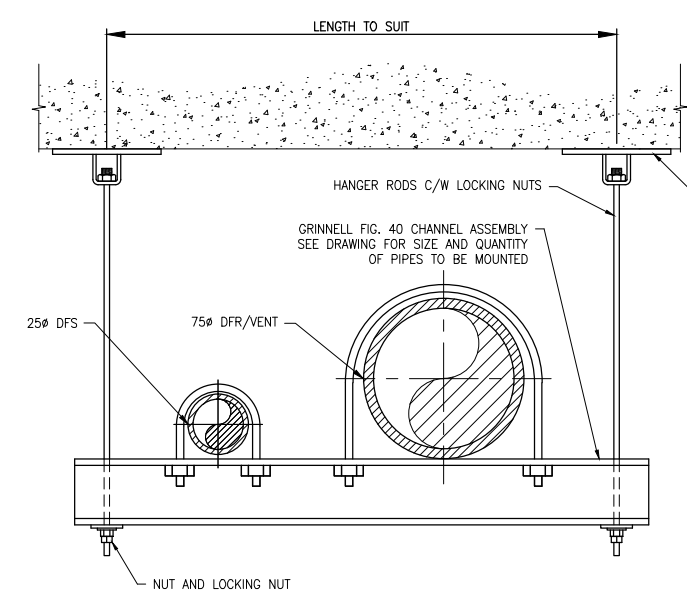


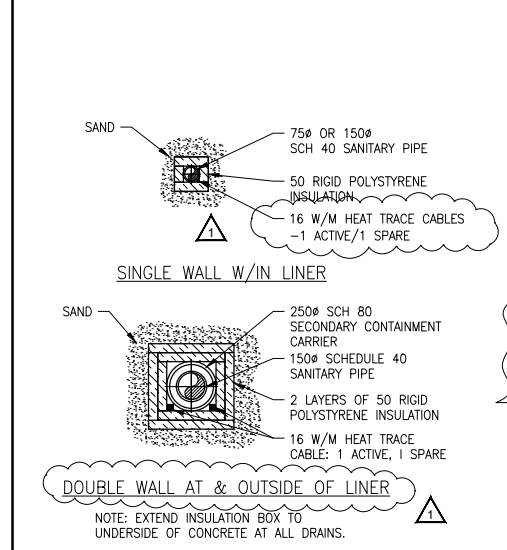
1 PIPE HANGER ASSEMBLY
M0006 SCALE N.T.S.



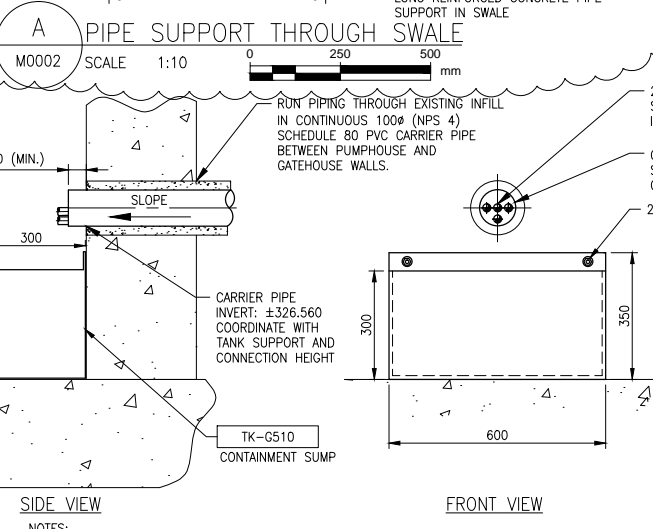
2 PIPE SUPPORT ON WALL
M0006 SCALE 1:2

- NOTES:
1. BASED ON STATED TANK INSTALLATION ELEVATIONS.
 2. ADJUST CORING ±50mm TO AVOID REBAR.
 3. 125mm CORE FOR 75mm PIPE; 100mm CORE FOR 50mm CONDUIT/SLEEVE X 2; 100mm CORE FOR 38mm PIPE.
 4. SPACING BETWEEN CORES SHALL BE 300mm

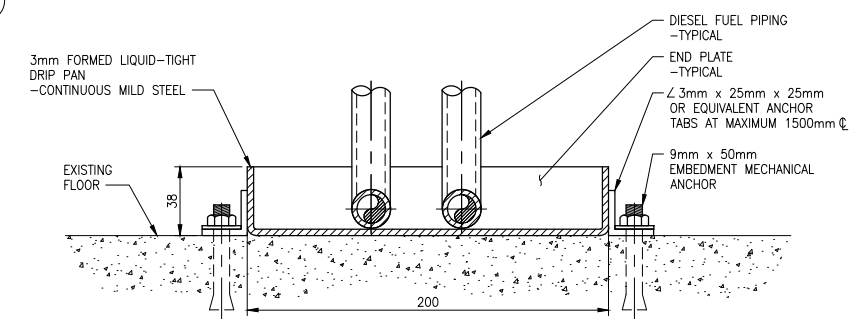
A PIPE SUPPORT THROUGH SWALE
M0002 SCALE 1:10



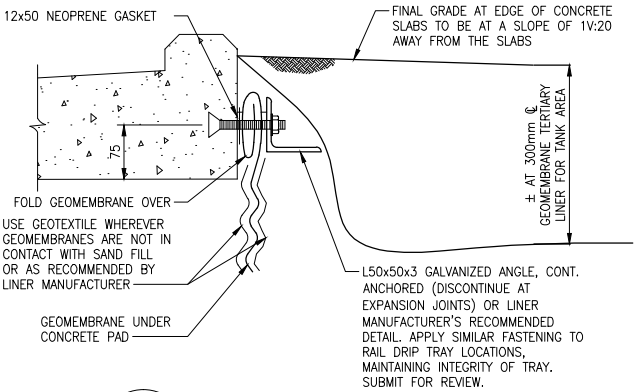
5 BELOW GRADE SANITARY PIPE INSULATION
M0006 SCALE 1:20



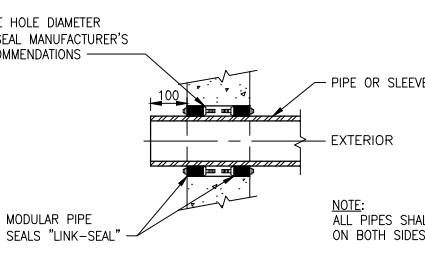
6 SECONDARY CONTAINMENT SUMP
M0006 SCALE 1:10



3 DRIP PAN DETAIL
M0006 SCALE 1:2



4 CONCRETE PAD LINER
M0006 SCALE 1:5



PVC 80 PIPE	WALL SLEEVE	LINK-SEAL		
SIZE	ACTUAL O.D.mm	I.D.mm	LINKS/ SEAL	MODEL NO.
250	273.1	355.6	14	LS475-S316 OR APPROVED EQUIVALENT

- APPLICATION NOTES
1. CONCRETE WALL
 2. STEEL, STAINLESS STEEL, DUCTILE IRON, PVC OR FRP PIPE; NON-INSULATED.
 3. CONDITION
 - a) DRY TO DRY
 - b) INTERIOR TO UNDERGROUND

7 TYPICAL LINK-SEAL WALL PENETRATION
M0006 SCALE NTS

BID OPPORTUNITY NO. 231-2015

DRAWING NUMBER	REFERENCE DRAWINGS

LOCATION APPROVED UNDERGROUND STRUCTURES			

AECOM			
DESIGNED BY	CC	CHECKED BY	GD
DRAWN BY	DRL	APPROVED BY	
HOR. SCALE	AS NOTED	RELEASED FOR CONSTRUCTION	
VERT. SCALE			
DATE		DATE	

PROFESSIONAL'S SEAL
ORIGINAL SIGNED BY
C. A. D. COURCHAINE
15/04/09
CONSULTANT DRAWING NO.
M0006

THE CITY OF WINNIPEG WATER AND WASTE DEPARTMENT

SHOAL LAKE INTAKE FUEL STORAGE AND DELIVERY SYSTEM REHABILITATION MECHANICAL DIESEL FUEL SYSTEMS SECTION & DETAILS

SHEET 14 OF 23
CITY DRAWING NUMBER
REV
1-0600A-M0006-001 1

