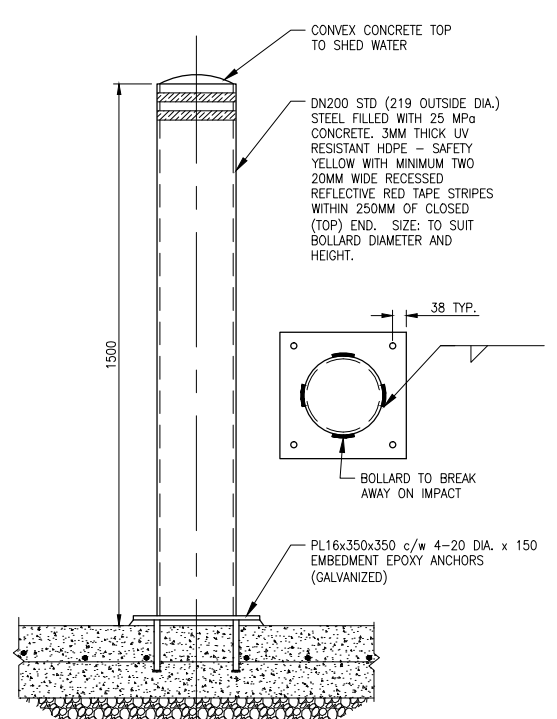
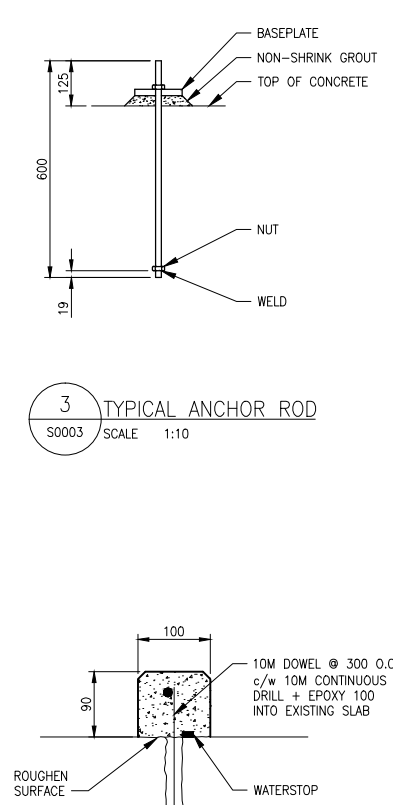


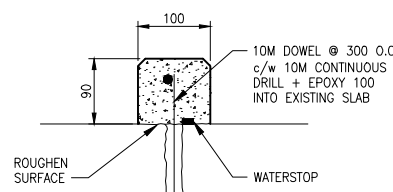
1 BOLLARD DETAIL - TYPE A
S0003 SCALE 1:10



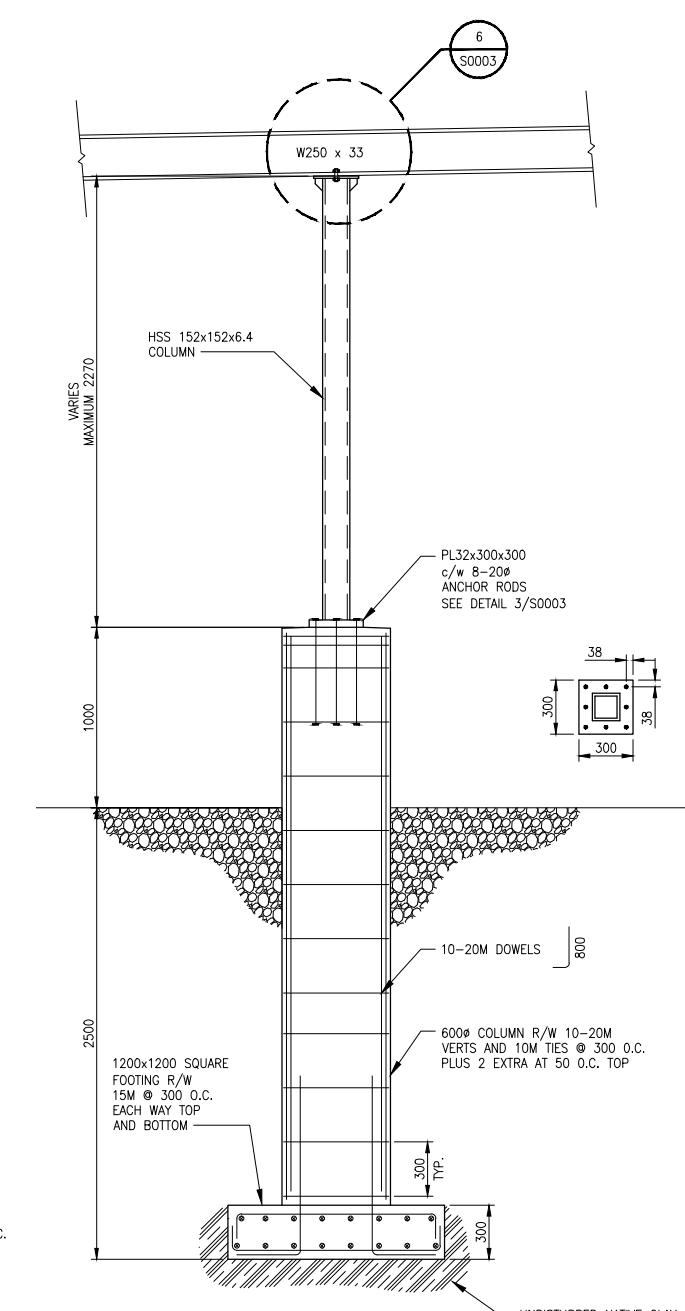
2 BOLLARD DETAIL - TYPE B
S0003 SCALE 1:10



3 TYPICAL ANCHOR ROD
S0003 SCALE 1:10

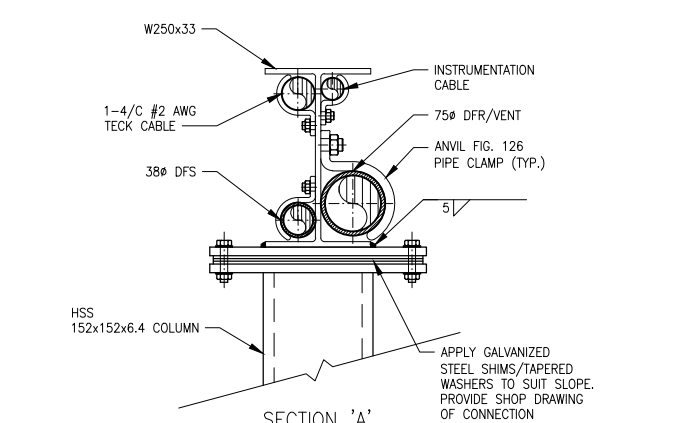


4 INDOOR CONTAINMENT CURB
S0003 SCALE 1:5
SEE M0004 NOTE 14.

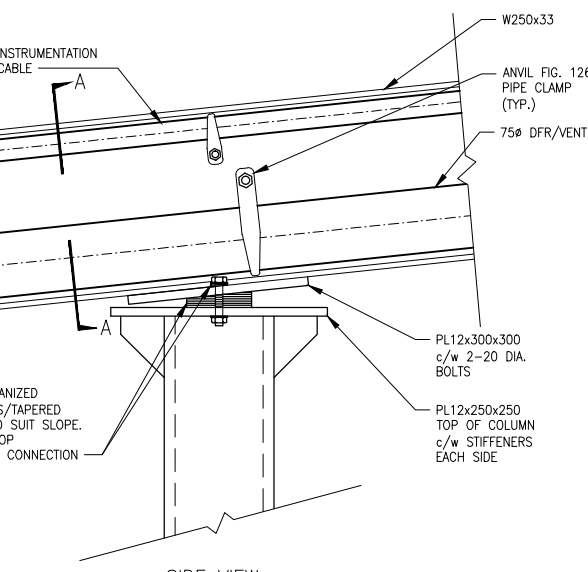


- NOTES:
1. ALL EXPOSED STEEL TO BE GALVANIZED.
 2. TAPER TOP OF 600Ø CONCRETE BASE AWAY FROM BASEPLATE.
 3. BACKFILL WITH NON-FROST SUSCEPTIBLE MATERIAL AS DIRECTED BY THE GEOTECHNICAL ENGINEER.

5 PIPE SUPPORT DETAIL
S0003 SCALE 1:20



- NOTES:
1. PROVIDE PIPE SUPPORT LAYOUT SHOWING SECTION AND DIMENSIONS OF FUEL PIPING AND ELECTRICAL CABLE FOR CONTRACT ADMINISTRATOR'S REVIEW.
 2. PROVIDE PIPE SUPPORT AS PER SPEC SECTION 23 05 29 PIPE HANGER SUPPORTS.



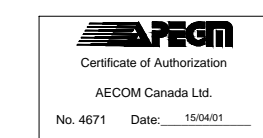
6 PIPE SUPPORT-TOP CONNECTION
S0003 SCALE 1:5

GENERAL NOTES

1. ALL UTILITIES IN AREA OF EXCAVATION TO BE LOCATED; SOFT DIG TO CONFIRM UTILITIES.

BID OPPORTUNITY NO. 231-2015

DRAWING NUMBER	REFERENCE DRAWINGS
F-0600A-M0008-001-00	MECHANICAL - DIESEL AND GASOLINE FUEL SYSTEMS PROFILE AND SECTION
F-0600A-M0003-001-00	MECHANICAL - PUMPHOUSE AND GATEHOUSE DEMOLITION PLANS
F-0600A-M0002-001-00	MECHANICAL - DIESEL AND GASOLINE FUEL TANK LAYOUT
F-0600A-S0002-001-00	STRUCTURAL - DIESEL AND GASOLINE FUEL TANK SLAB AND SECTIONS
F-0600A-S0001-001-00	STRUCTURAL - GENERAL NOTES AND ABBREVIATIONS



LOCATION APPROVED	
SUPR. U/G STRUCTURES COMMITTEE	DATE

NOTE:
LOCATION OF UNDERGROUND STRUCTURES AS SHOWN ARE BASED ON THE BEST INFORMATION AVAILABLE. BUT NO GUARANTEE IS GIVEN THAT ALL EXISTING UTILITIES ARE SHOWN OR THAT THE GIVEN LOCATIONS ARE EXACT. CONFIRMATION OF EXISTENCE AND EXACT LOCATION OF ALL SERVICES MUST BE OBTAINED FROM THE INDIVIDUAL UTILITIES BEFORE PROCEEDING WITH CONSTRUCTION.

NO.	REVISIONS	YYMMDD	BY
1	ISSUED FOR ADDENDUM No. 1	15/05/14	DRL
0	ISSUED FOR TENDER, BID OPP. 231-2015	15/04/13	DRL

DESIGNED BY		CHECKED BY	
LT/CC	CG		
DRAWN BY		APPROVED BY	
DRL			
HOR. SCALE		RELEASED FOR CONSTRUCTION	
AS NOTED			
VERT. SCALE		DATE	

PROFESSIONAL'S SEAL	
ORIGINAL SIGNED BY	C.J. GENTILE
DATE	15/04/01
CONSULTANT DRAWING NO.	S0003

THE CITY OF WINNIPEG
WATER AND WASTE DEPARTMENT

SHOAL LAKE
INTAKE FUEL STORAGE AND
DELIVERY SYSTEM REHABILITATION

STRUCTURAL
TANK SLAB
DETAILS

SHEET 4 OF 23
CITY DRAWING NUMBER
REV
1-0600A-S0003-001 1