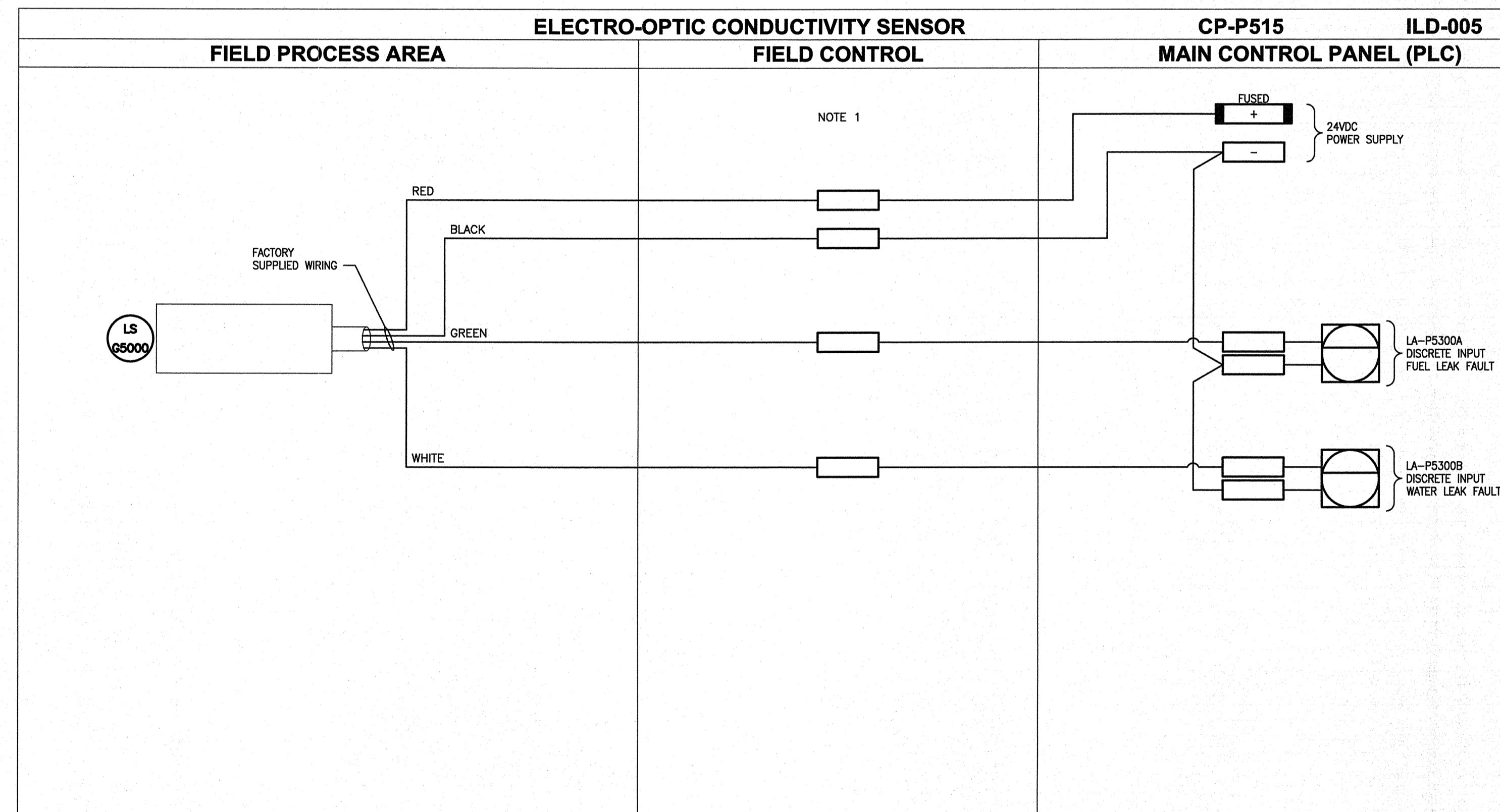
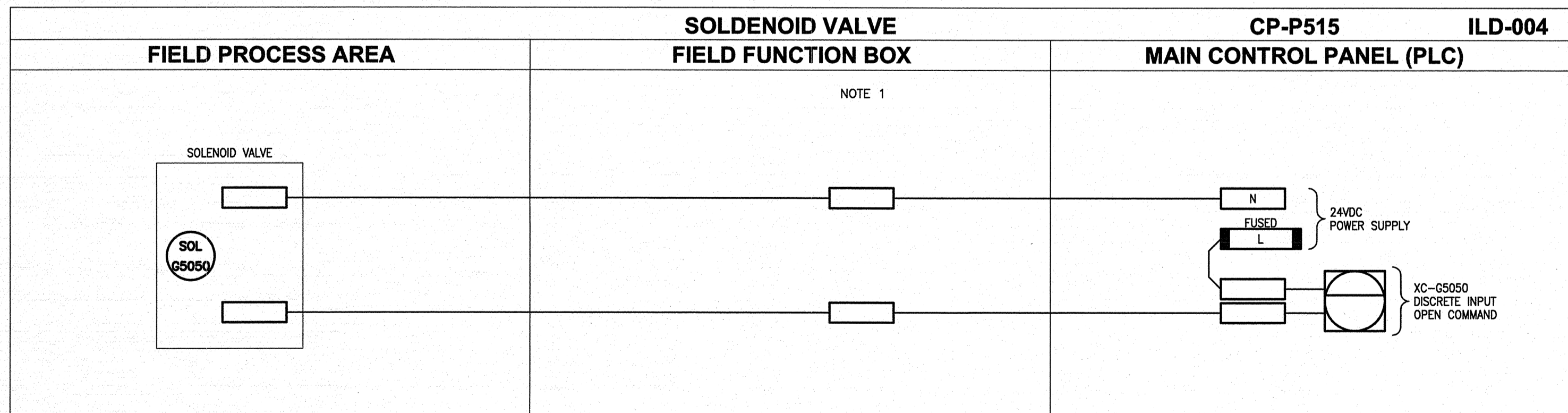
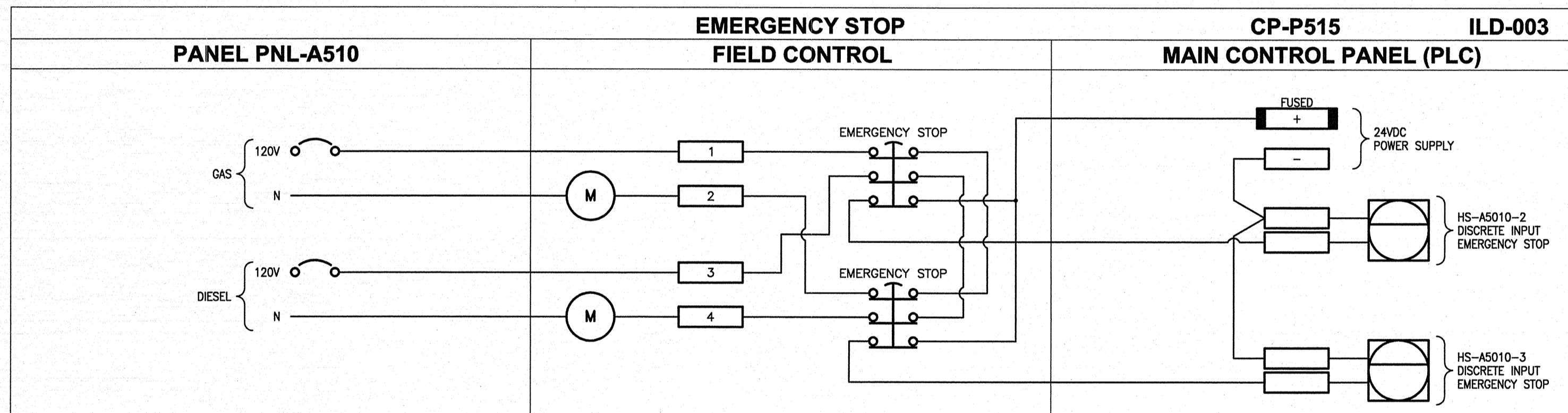
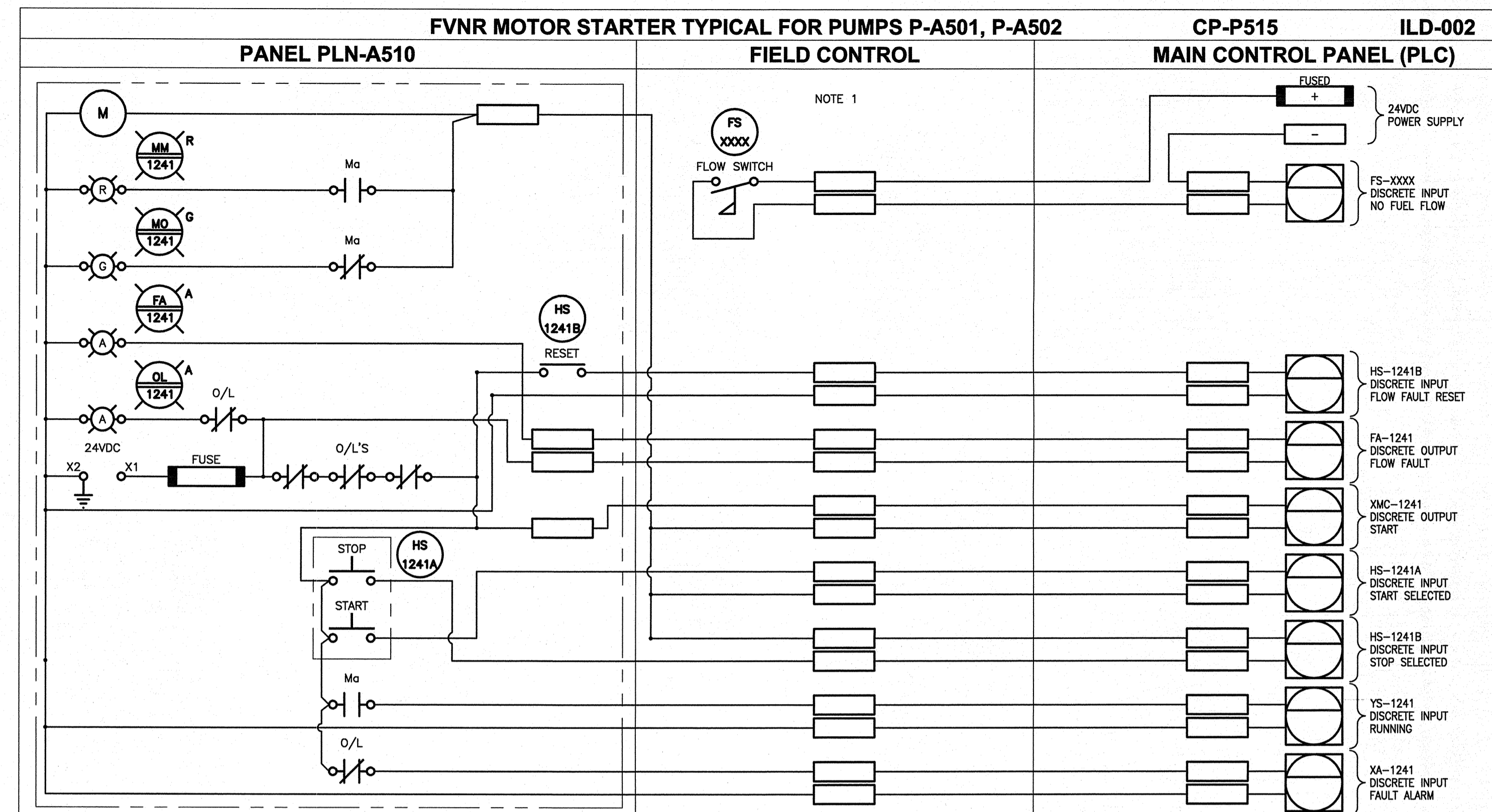
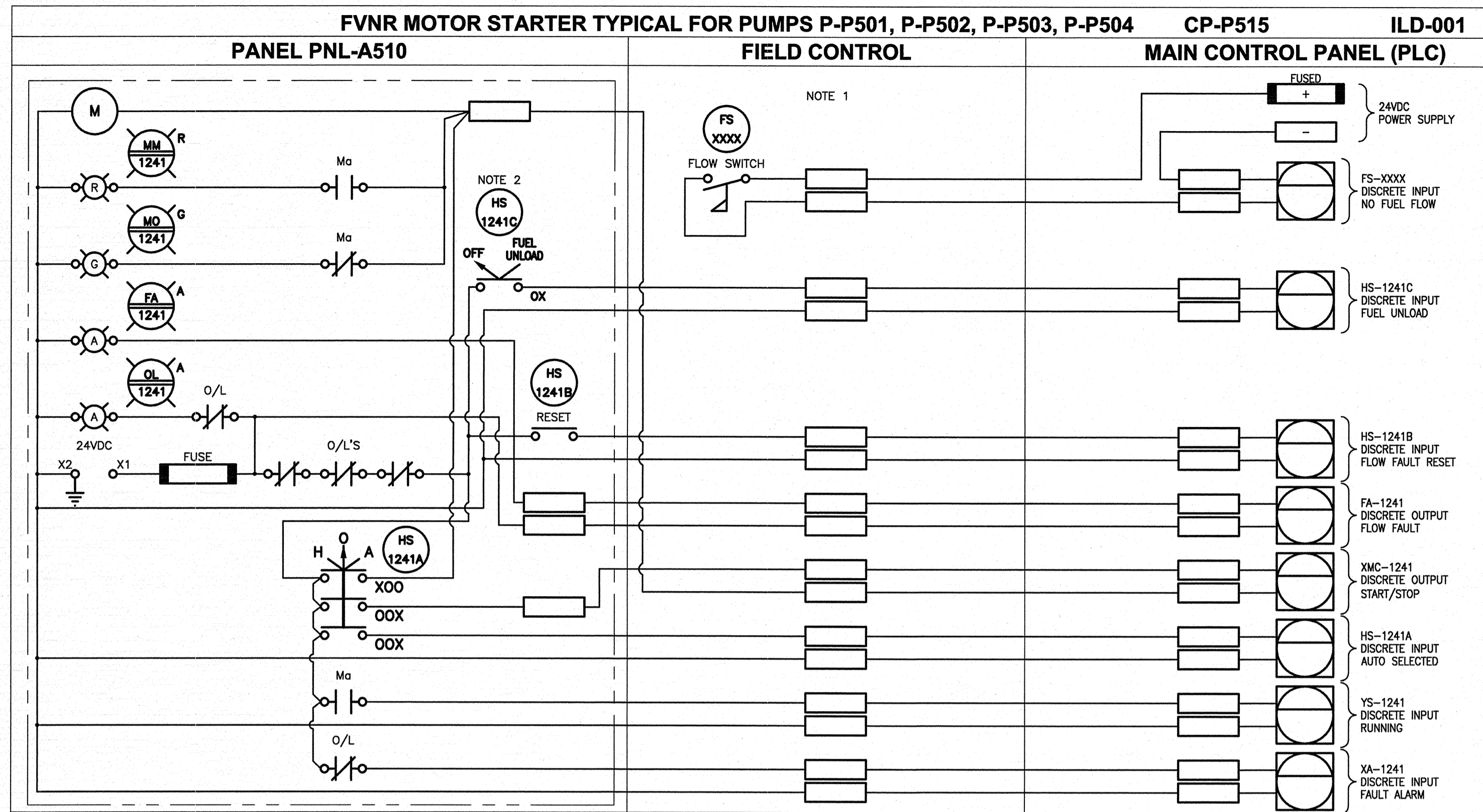


D SIZE 22" x 34" (559mm x 864mm)

PLOT: 4/9/2015 12:01:41 PM

AECOM FILE NAME: A0001.dwg, Saved By: chavez



**NOTES:**

1. PROVIDE FIELD JUNCTION BOX AS REQUIRED.
2. PROVIDE ONE FUEL UNLOAD SELECTOR SWITCH SHARED WITH PUMPS 1 & 2 ONLY.
3. DEVICES LOCATED IN CLASSIFIED AREAS SHALL BE WIRED IN ACCORDANCE WITH SECTION 18 OF THE C.E.C.

BID OPPORTUNITY NO. 231-2015

AECOM REVIEW	DRIFT CHK	
DRAWING NUMBER	REFERENCE DRAWINGS	

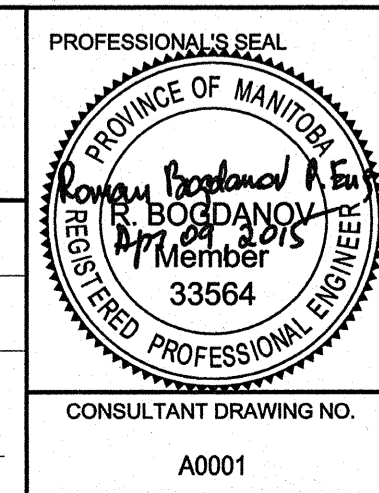


**LOCATION APPROVED UNDERGROUND STRUCTURES**

SUPR. U/G STRUCTURES COMMITTEE	DATE
NOTE: LOCATION OF UNDERGROUND STRUCTURES AS SHOWN ARE BASED ON THE BEST INFORMATION AVAILABLE. BUT NO GUARANTEE IS GIVEN THAT ALL EXISTING UTILITIES ARE SHOWN OR THAT THE GIVEN LOCATIONS ARE EXACT. CONFIRMATION OF EXISTENCE AND EXACT LOCATION OF ALL SERVICES MUST BE OBTAINED FROM THE INDIVIDUAL UTILITIES BEFORE PROCEEDING WITH CONSTRUCTION.	
0	ISSUED FOR TENDER, BID OPP. 231-2015
15/04/13	RC
NO.	REVISIONS
YYMMDD	BY



DESIGNED BY	KM	CHECKED BY	
DRAWN BY	RC	APPROVED BY	
HOR. SCALE	NTS	RELEASED FOR CONSTRUCTION	
VERT. SCALE		DATE	



**THE CITY OF WINNIPEG WATER AND WASTE DEPARTMENT**

**SHOAL LAKE INTAKE FUEL STORAGE AND DELIVERY SYSTEM REHABILITATION AUTOMATION**

TYPICAL INSTRUMENT LOOP DIAGRAM

SHEET 23 OF 23

CITY DRAWING NUMBER

REV 1-0600A-A0001-001 0