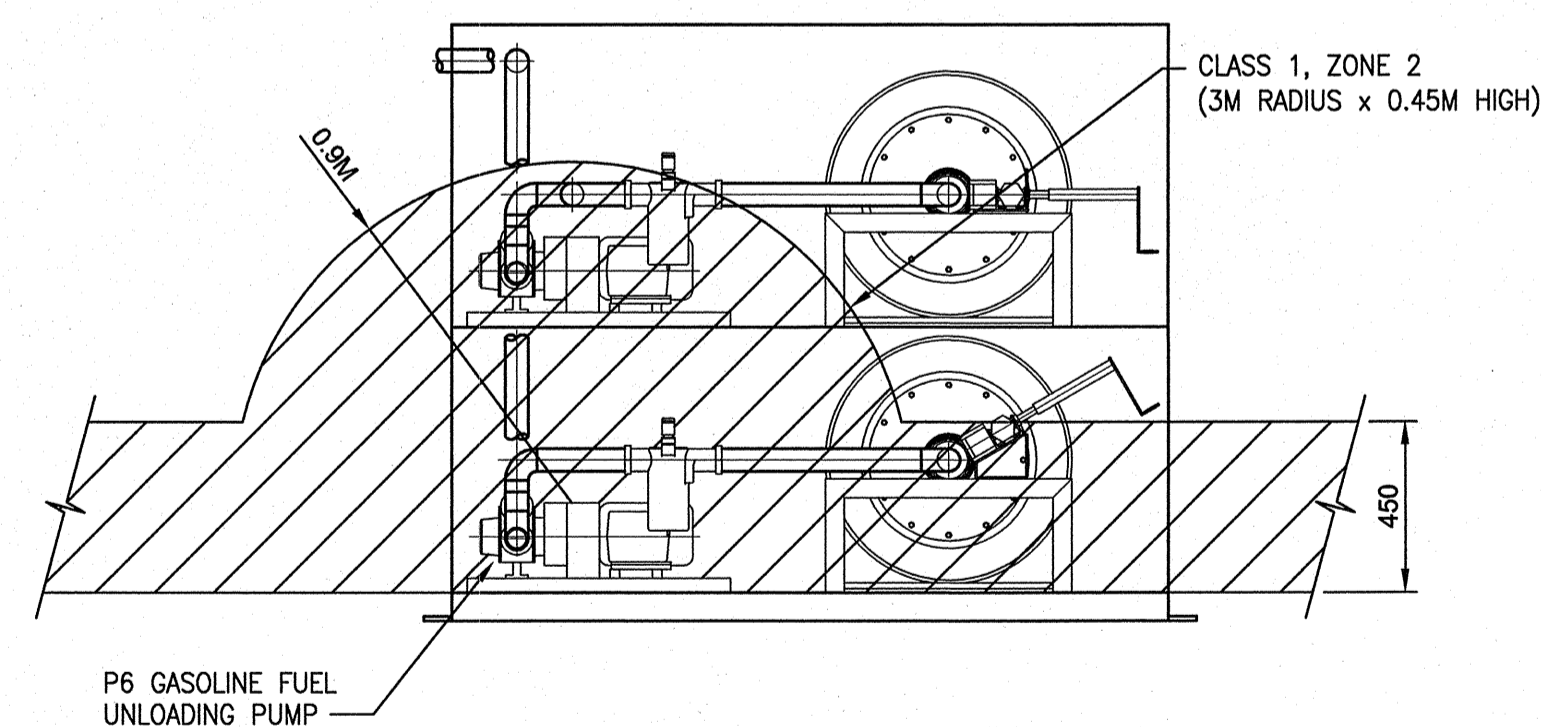
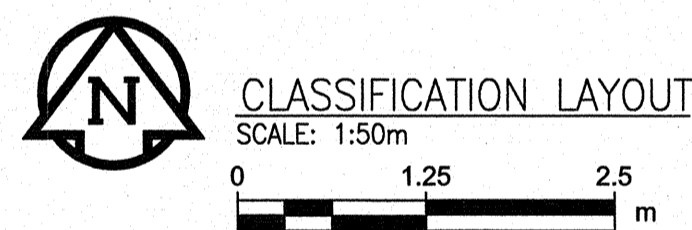


CLASSIFICATION (AS PER CEC SECTION 18 AREA CLASSIFICATION)

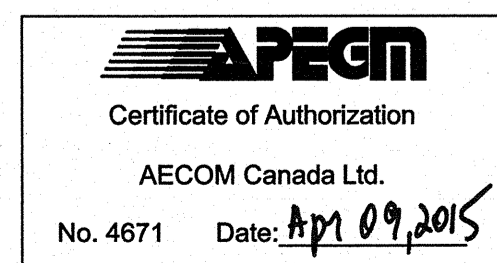
CLASS 1, ZONE 1

CLASS 1, ZONE 2



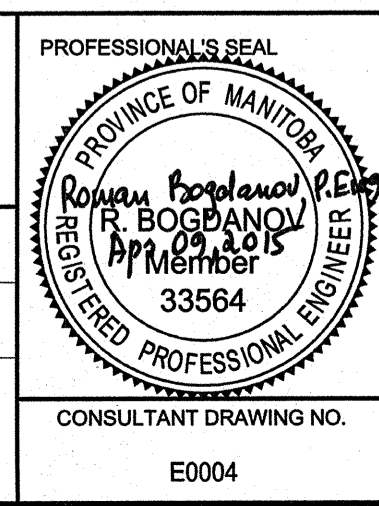
1 UNLOADING CABINET SERVING COMBINED 8,580L FUEL STORAGE TANK
E0004 SCALE 1:20

AECOM REVIEW	DRAFT CHK
DRAWING NUMBER	
REFERENCE DRAWINGS	



LOCATION APPROVED UNDERGROUND STRUCTURES			
SUPR. U/G STRUCTURES COMMITTEE	DATE		
NOTE: LOCATION OF UNDERGROUND STRUCTURES AS SHOWN ARE BASED ON THE BEST INFORMATION AVAILABLE. BUT NO GUARANTEE IS GIVEN THAT ALL EXISTING UTILITIES ARE SHOWN OR THAT THE GIVEN LOCATIONS ARE EXACT. CONFIRMATION OF EXISTENCE AND EXACT LOCATION OF ALL SERVICES MUST BE OBTAINED FROM THE INDIVIDUAL UTILITIES BEFORE PROCEEDING WITH CONSTRUCTION.			
0	ISSUED FOR TENDER, BID OPP. 231-2015	15/04/13	RC
NO.	REVISIONS	YY/MM/DD	BY

AECOM	
DESIGNED BY RB	CHECKED BY
DRAWN BY RC	APPROVED BY
HOR. SCALE AS NOTED	RELEASED FOR CONSTRUCTION
VERT. SCALE	DATE



THE CITY OF WINNIPEG WATER AND WASTE DEPARTMENT

SHOAL LAKE INTAKE FUEL STORAGE AND DELIVERY SYSTEM REHABILITATION

ELECTRICAL

CLASSIFICATION

SHEET 21 OF 23

CITY DRAWING NUMBER

REV

1-0600A-E0004-001 0