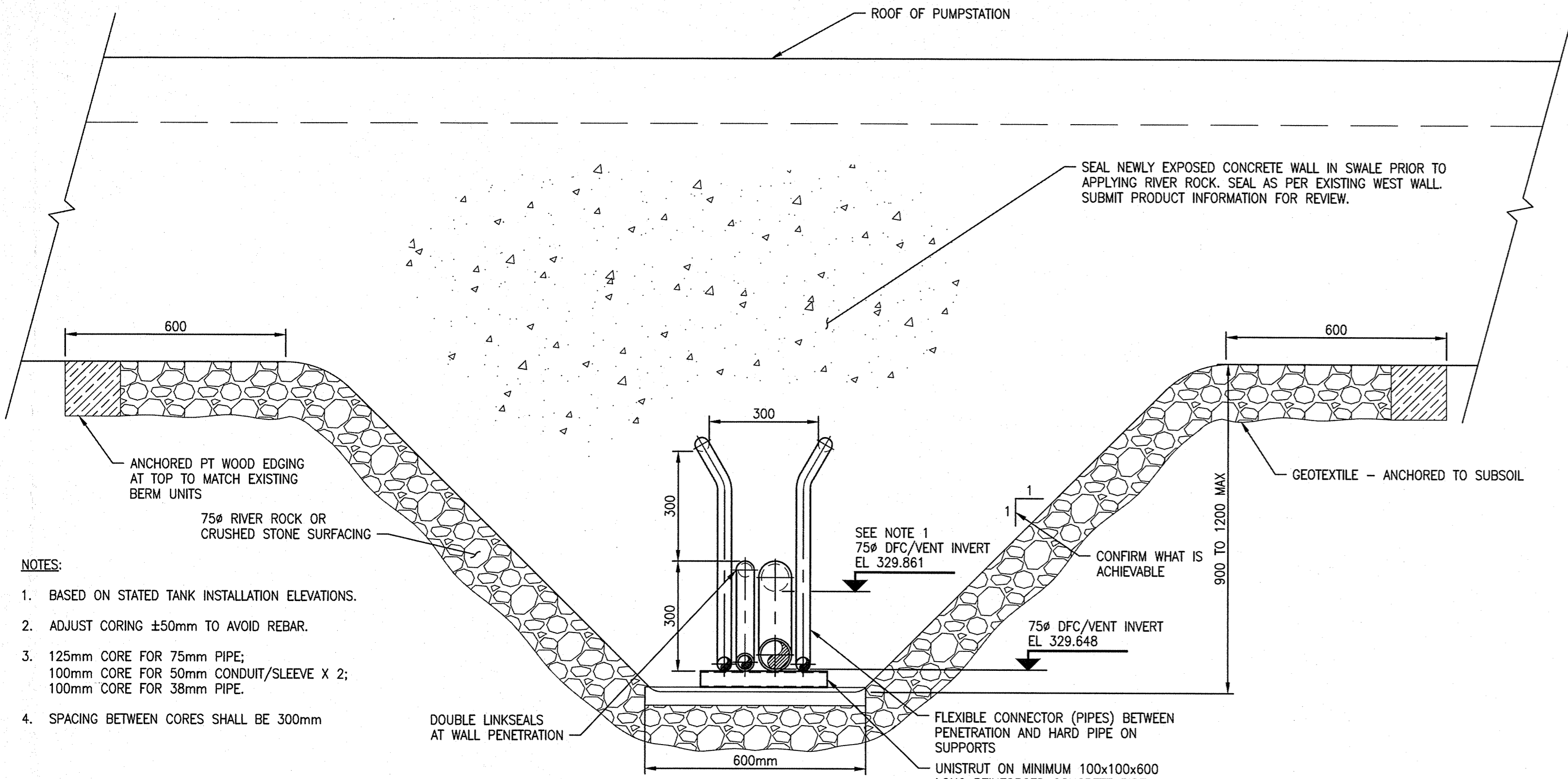


D SIZE 22" x 34" (559mm x 864mm)

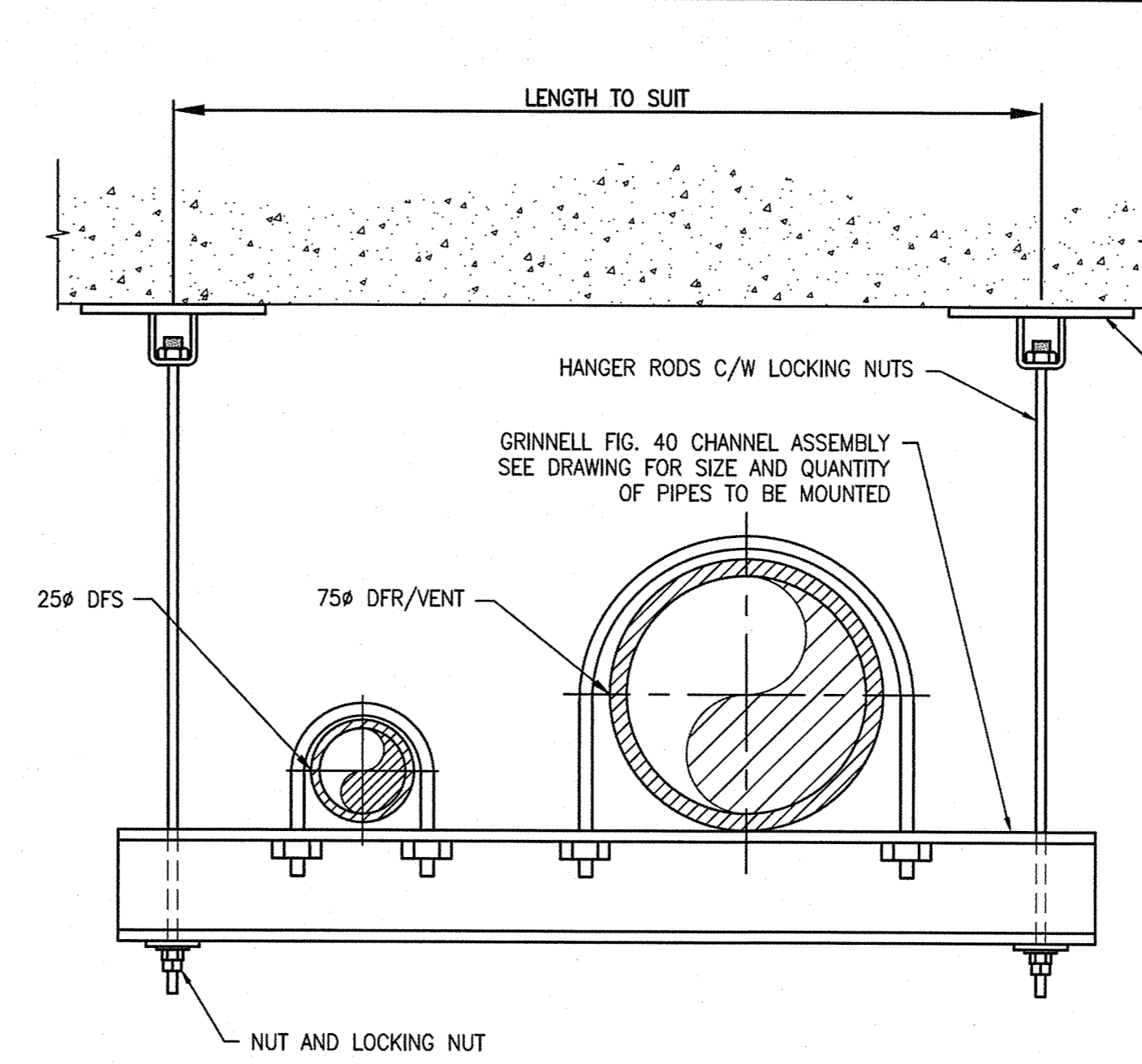
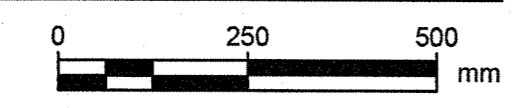
PLOT: 15/04/09 12:34:24 PM

AECOM REVIEW DRAFT CHK AECOM FILE NAME: M0006.dwg Saved By: landesst

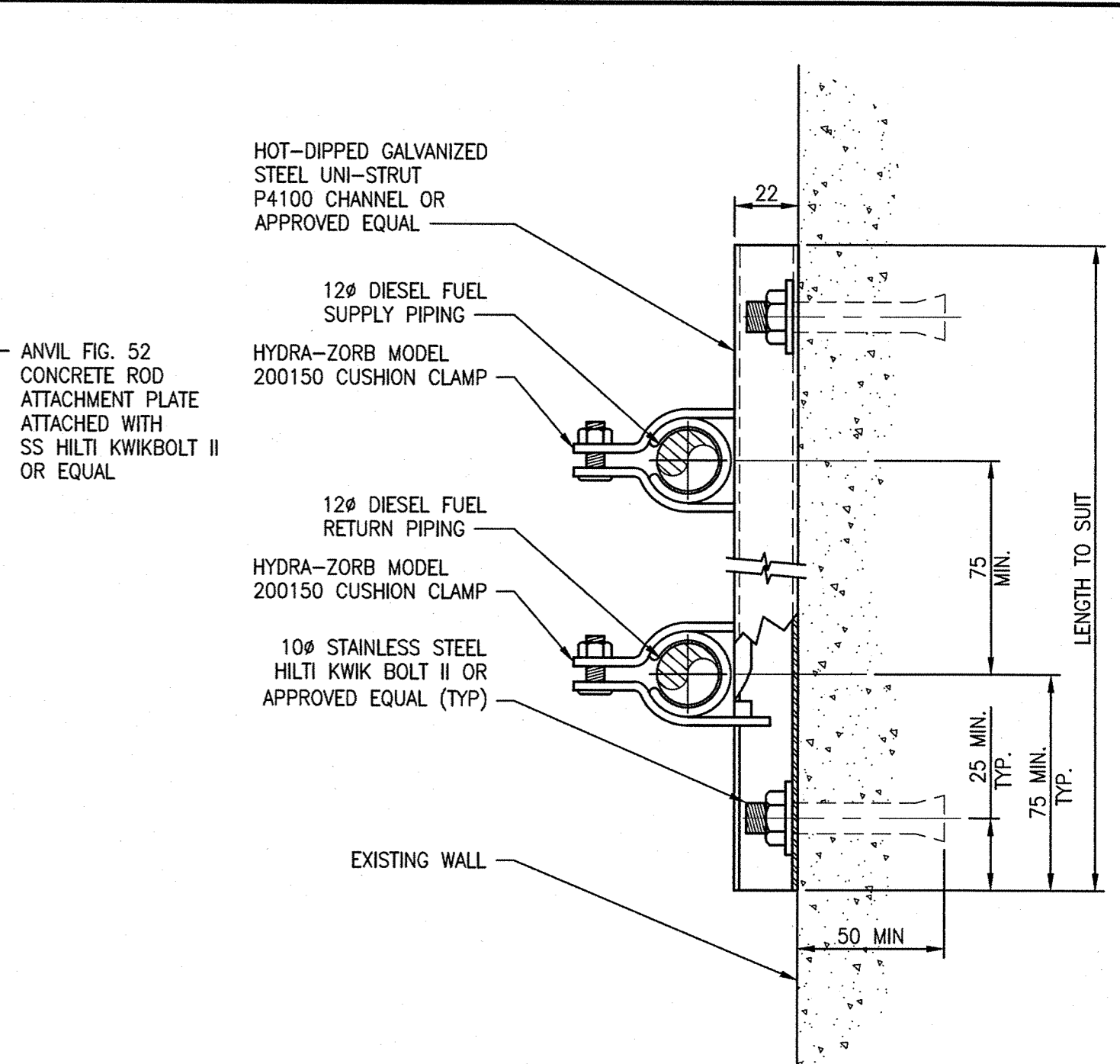


- NOTES:**
1. BASED ON STATED TANK INSTALLATION ELEVATIONS.
 2. ADJUST CORING ±50mm TO AVOID REBAR.
 3. 125mm CORE FOR 75mm PIPE; 100mm CORE FOR 50mm CONDUIT/SLEEVE X 2; 100mm CORE FOR 38mm PIPE.
 4. SPACING BETWEEN CORES SHALL BE 300mm

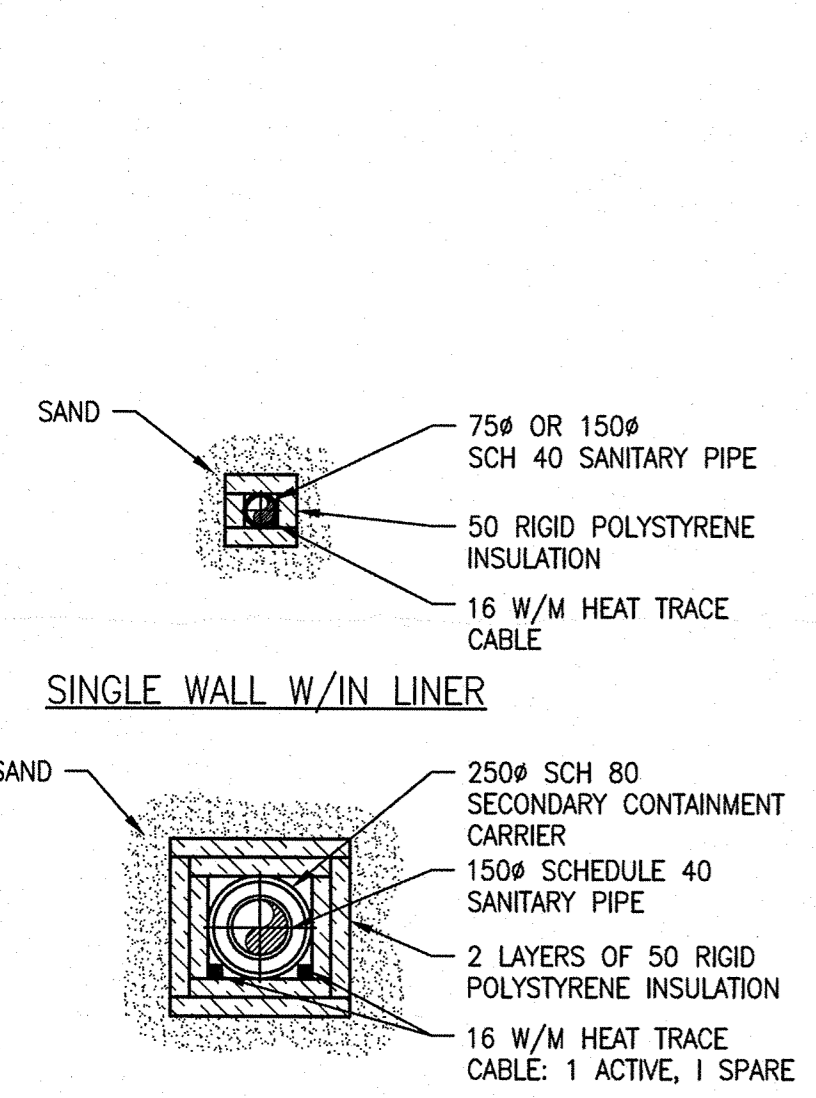
A PIPE SUPPORT THROUGH SWALE
M0002 SCALE 1:10



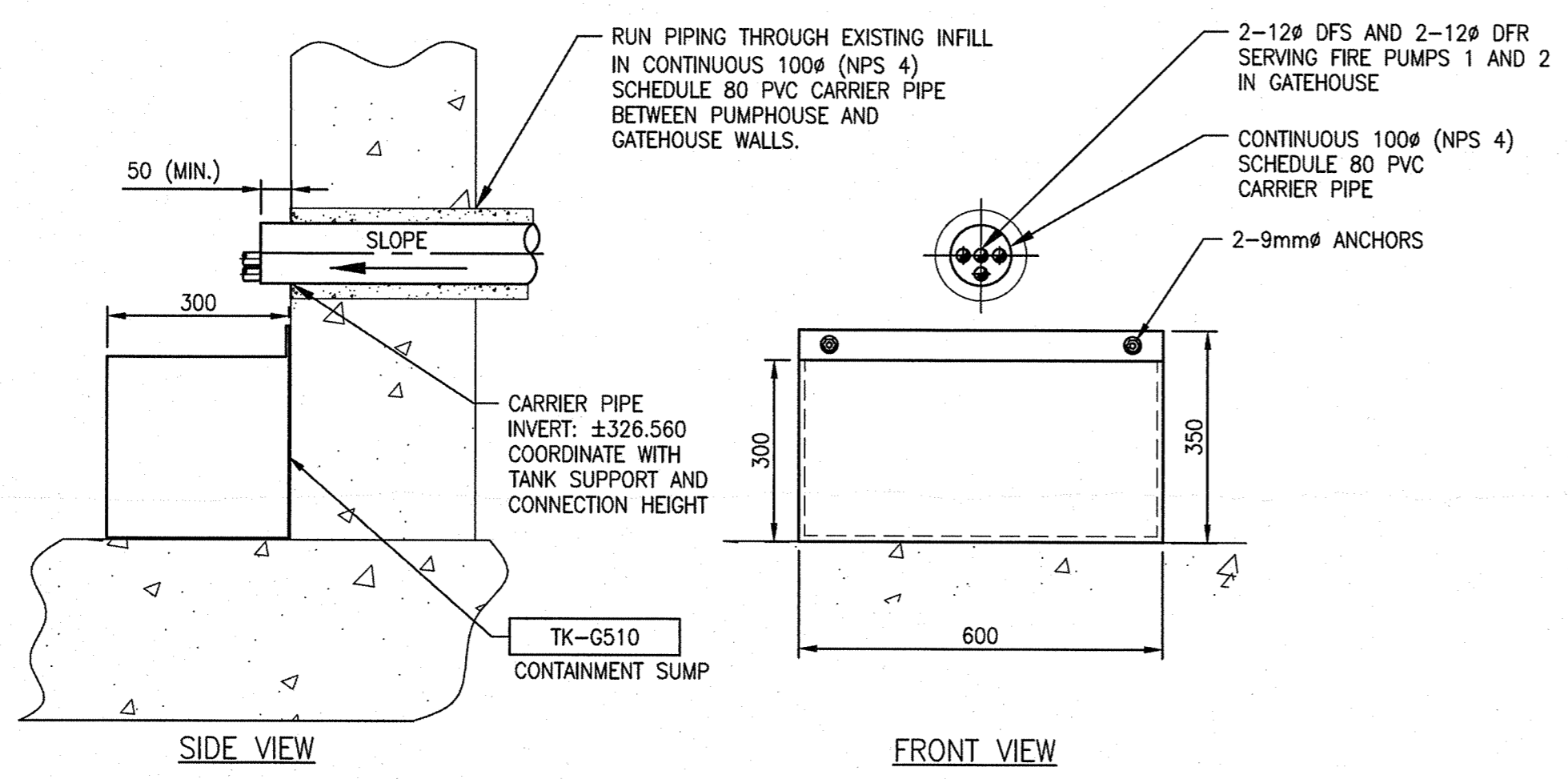
1 PIPE HANGER ASSEMBLY
M0006 SCALE N.T.S.



2 PIPE SUPPORT ON WALL
M0006 SCALE 1:2

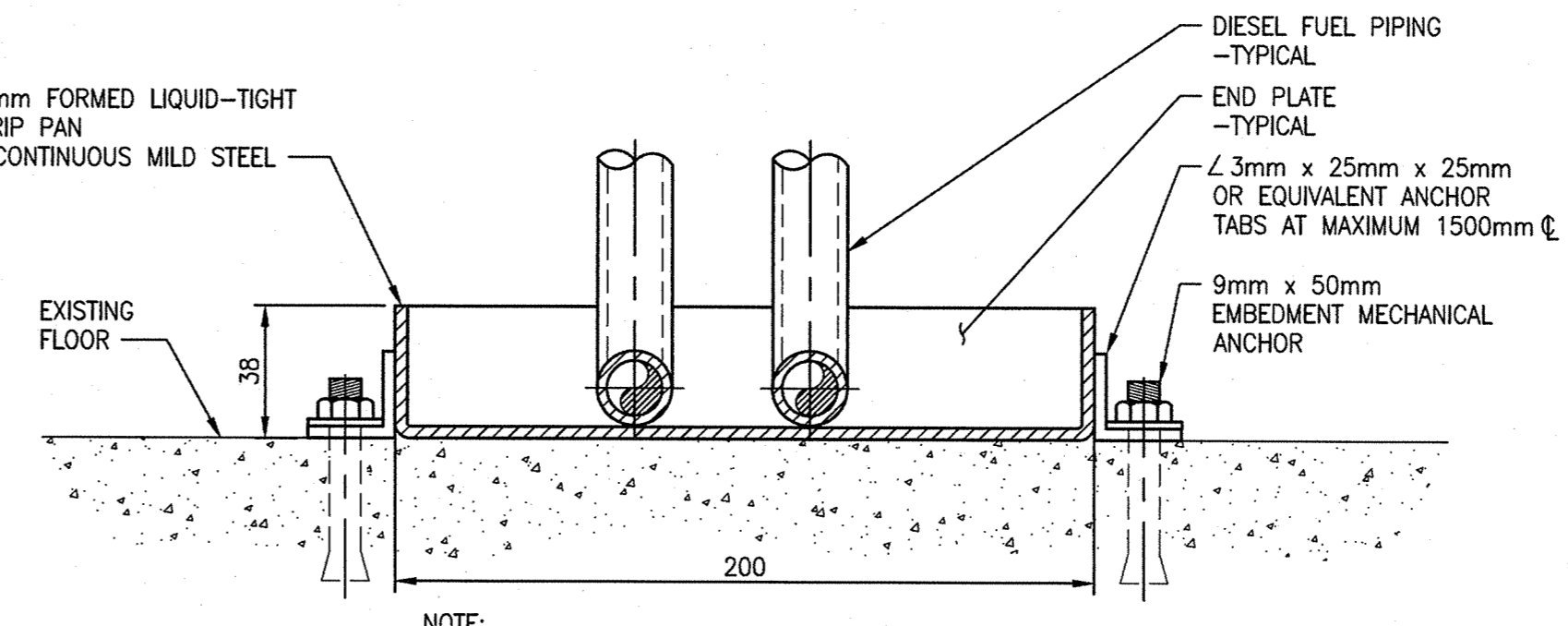


5 BELOW GRADE SANITARY PIPE INSULATION
M0006 SCALE 1:20



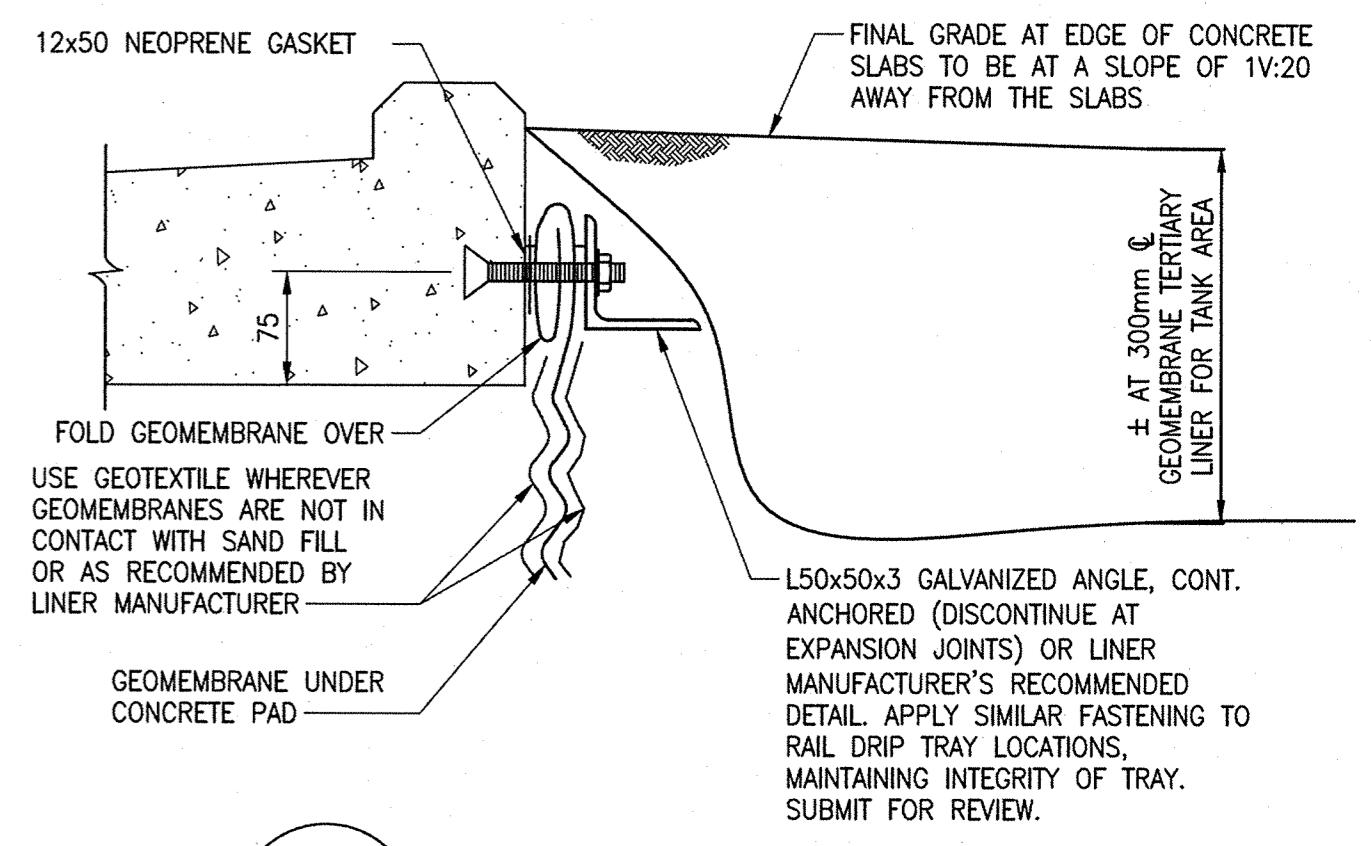
6 SECONDARY CONTAINMENT SUMP
M0006 SCALE 1:10

- NOTES:**
1. CONSTRUCTION: 3mm STEEL, ALL WELDED, LEAK PROOF FABRICATION G40.21-300W STEEL. INSIDE AND OUTSIDE PAINTED SAFETY YELLOW REF. SPEC. 09 87 00.
 2. PROVIDE FIRE-STOPPING AT PUMPHOUSE AND GATEHOUSE WALLS.
 3. PROVIDE NON-SHRINK GROUT AROUND PIPING CASING. SLOPE PIPE AND CONTAINMENT PIPE BACK TO PUMPHOUSE.

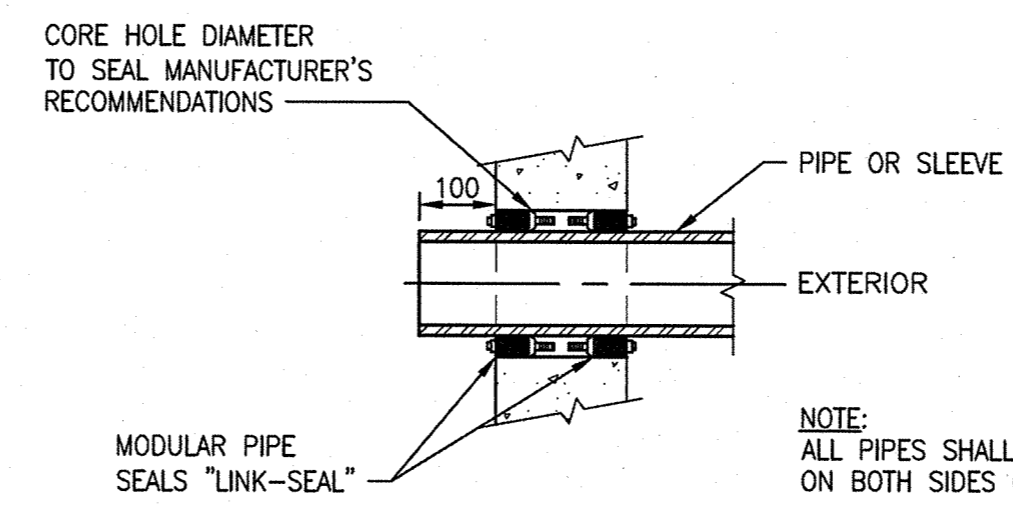


3 DRIP PAN DETAIL
M0006 SCALE 1:2

NOTE:
PAINT ALL SURFACES SAFETY YELLOW REF. SPEC. 09 87 00



4 CONCRETE PAD LINER
M0006 SCALE 1:5



7 TYPICAL LINK-SEAL WALL PENETRATION
M0006 SCALE NTS

PVC 80 PIPE	WALL SLEEVE	LINK-SEAL		
SIZE	ACTUAL O.D.mm	I.D.mm	LINKS/ SEAL	MODEL NO.
250	273.1	355.6	14	LS475-S316 OR APPROVED EQUIVALENT

- APPLICATION NOTES**
1. CONCRETE WALL
 2. STEEL, STAINLESS STEEL, DUCTILE IRON, PVC OR FRP PIPE; NON-INSULATED.
 3. CONDITION
 - a) DRY TO DRY
 - b) INTERIOR TO UNDERGROUND

LOCATION APPROVED
UNDERGROUND STRUCTURES

SUPR. U/G STRUCTURES COMMITTEE DATE

NOTE:
LOCATION OF UNDERGROUND STRUCTURES AS SHOWN ARE BASED ON THE BEST INFORMATION AVAILABLE. BUT NO GUARANTEE IS GIVEN THAT ALL EXISTING UTILITIES ARE SHOWN OR THAT THE GIVEN LOCATIONS ARE EXACT. CONFIRMATION OF EXISTENCE AND EXACT LOCATION OF ALL SERVICES MUST BE OBTAINED FROM THE INDIVIDUAL UTILITIES BEFORE PROCEEDING WITH CONSTRUCTION.

APECM
Certificate of Authorization
AECOM Canada Ltd.
No. 4671 Date: Apr 9/15

AECOM

DESIGNED BY CC CHECKED BY GD
DRAWN BY DRL APPROVED BY
HOR. SCALE AS NOTED VERT. SCALE
DATE DATE

PROFESSIONAL SEAL
PROVINCE OF MANITOBA
Apr 9/15
C.A.D. COURCHAINE
REGISTERED PROFESSIONAL ENGINEER
CONSULTANT DRAWING NO. M0006

THE CITY OF WINNIPEG
WATER AND WASTE DEPARTMENT

SHOAL LAKE INTAKE FUEL STORAGE AND DELIVERY SYSTEM REHABILITATION
MECHANICAL
DIESEL FUEL SYSTEMS SECTION & DETAILS

SHEET 14 OF 23
CITY DRAWING NUMBER
REV
1-0600A-M0006-001 0

BID OPPORTUNITY NO. 231-2015