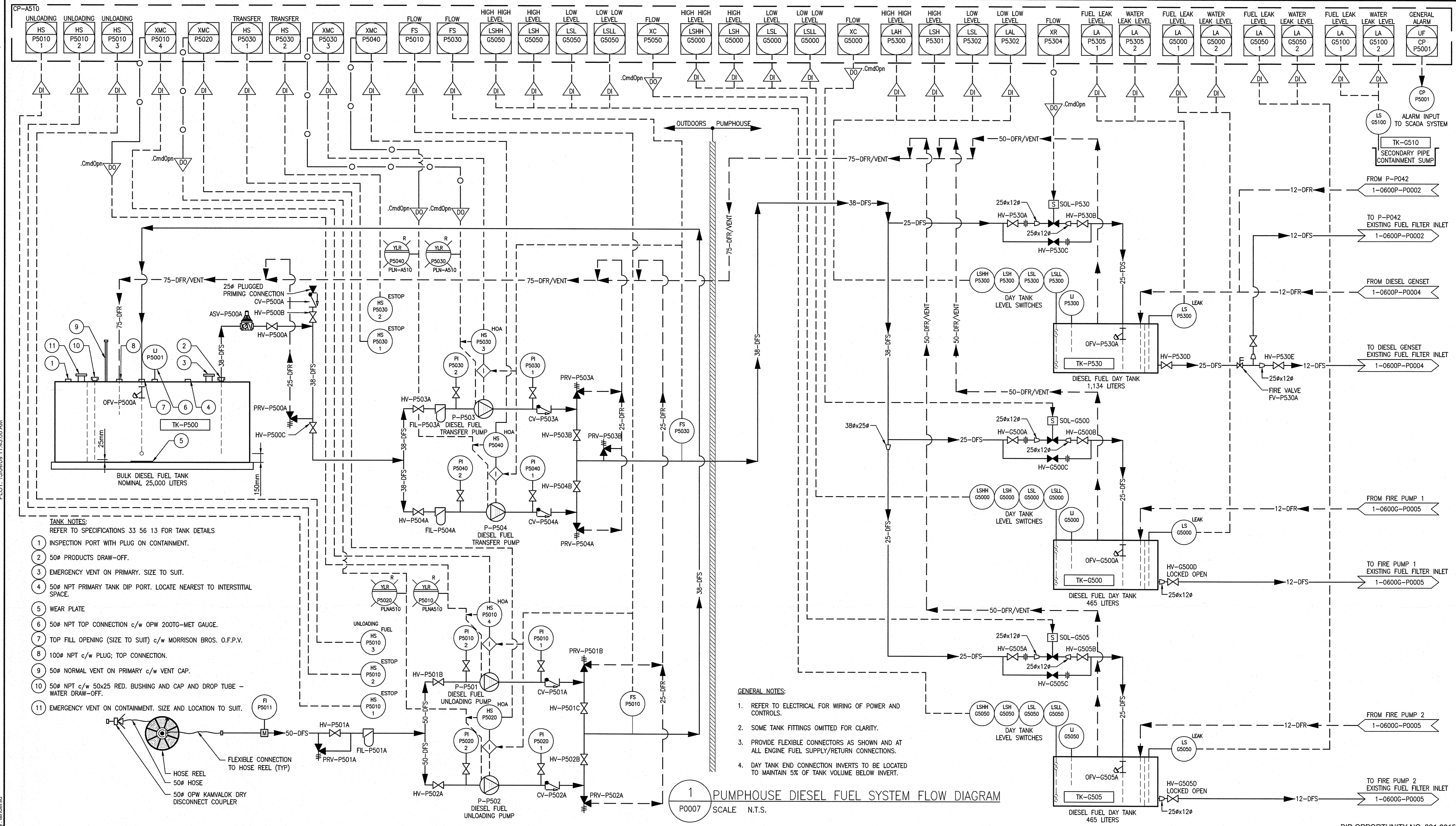


D SIZE 22" x 34" (558mm x 864mm)

PLOT: 15/04/09 11:43:06 AM



- TANK NOTES:**
REFER TO SPECIFICATIONS 33 56 13 FOR TANK DETAILS
- INSPECTION PORT WITH PLUG ON CONTAINMENT.
 - 50# PRODUCTS DRAW-OFF.
 - EMERGENCY VENT ON PRIMARY. SIZE TO SUIT.
 - 50# NPT PRIMARY TANK DIP PORT. LOCATE NEAREST TO INTERSTITIAL SPACE.
 - WEAR PLATE
 - 50# NPT TOP CONNECTION c/w OPW 200TC-MET GAUGE.
 - TOP FILL OPENING (SIZE TO SUIT) c/w MORRISON BROS. O.F.P.V.
 - 100# NPT c/w PLUG; TOP CONNECTION.
 - 50# NORMAL VENT ON PRIMARY c/w VENT CAP.
 - 50# NPT c/w 50x25 RED. BUSHING AND CAP AND DROP TUBE - WATER DRAW-OFF.
 - EMERGENCY VENT ON CONTAINMENT. SIZE AND LOCATION TO SUIT.

- GENERAL NOTES:**
- REFER TO ELECTRICAL FOR WIRING OF POWER AND CONTROLS.
 - SOME TANK FITTINGS OMITTED FOR CLARITY.
 - PROVIDE FLEXIBLE CONNECTORS AS SHOWN AND AT ALL ENGINE FUEL SUPPLY/RETURN CONNECTIONS.
 - DAY TANK END CONNECTION INVERTS TO BE LOCATED TO MAINTAIN 5% OF TANK VOLUME BELOW INVERT.

1 PUMPHOUSE DIESEL FUEL SYSTEM FLOW DIAGRAM
P0007 SCALE N.T.S.

FILE NAME	DESCRIPTION
1-0600P-P0004-001-00	PROCESS & INSTRUMENTATION DIAGRAM - GEN-P717
1-0600P-P0002-001-00	PROCESS & INSTRUMENTATION DIAGRAM - LOW LIFT WATER PUMP P-P042
1-0600G-P0005-001-00	PROCESS & INSTRUMENTATION DIAGRAM - FIRE PUMPS
1-0600A-Pxxxx-00x-00	PROCESS & INSTRUMENTATION DIAGRAM - LEGEND & DETAILS
DRAWING NUMBER	REFERENCE DRAWINGS



LOCATION APPROVED
UNDERGROUND STRUCTURES

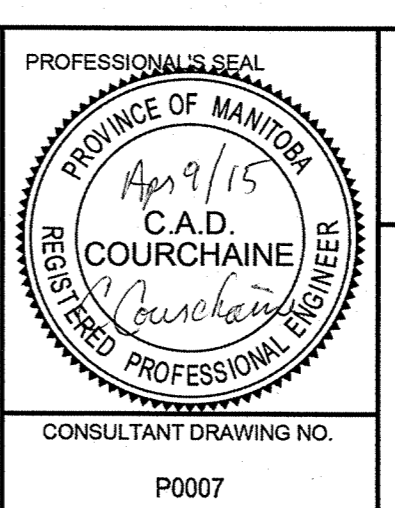
SUPR. U/G STRUCTURES COMMITTEE DATE

NOTE:
LOCATION OF UNDERGROUND STRUCTURES AS SHOWN ARE BASED ON THE BEST INFORMATION AVAILABLE. BUT NO GUARANTEE IS GIVEN THAT ALL EXISTING UTILITIES ARE SHOWN OR THAT THE GIVEN LOCATIONS ARE EXACT. CONFIRMATION OF EXISTENCE AND EXACT LOCATION OF ALL SERVICES MUST BE OBTAINED FROM THE INDIVIDUAL UTILITIES BEFORE PROCEEDING WITH CONSTRUCTION.

NO.	REVISIONS	Y/M/D	BY
0	ISSUED FOR TENDER, BID OPP. 231-2015	15/04/13	DRL

AECOM

DESIGNED BY	CC	CHECKED BY	GD
DRAWN BY	DRL	APPROVED BY	
HOR. SCALE	NTS	RELEASED FOR CONSTRUCTION	
VERT. SCALE			
DATE		DATE	



THE CITY OF WINNIPEG WATER AND WASTE DEPARTMENT

SHOAL LAKE INTAKE FUEL STORAGE AND DELIVERY SYSTEM REHABILITATION PROCESS

PUMPHOUSE DIESEL FUEL SYSTEM PROCESS & INSTRUMENTATION DIAGRAM

CONSULTANT DRAWING NO. P0007

SHEET 9 OF 23
CITY DRAWING NUMBER
1-0600A-P0007-001 0

BID OPPORTUNITY NO. 231-2015