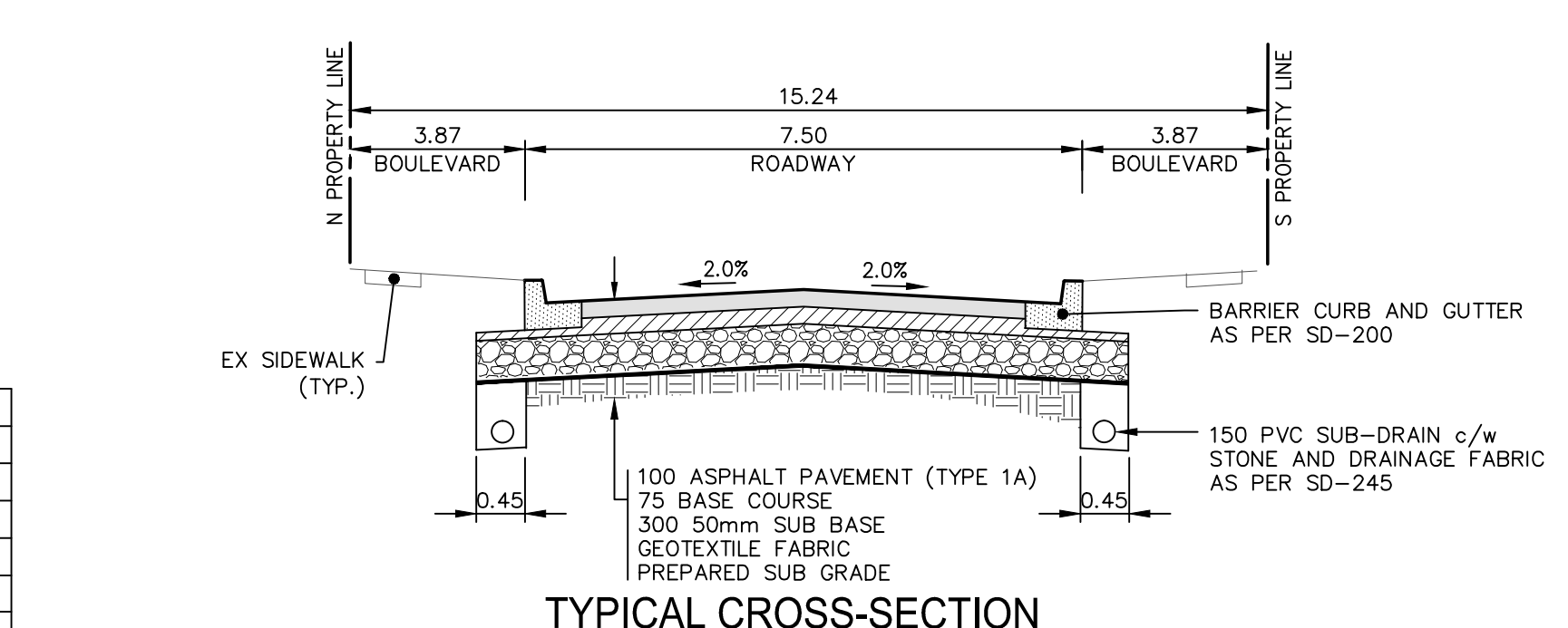


NOTE:
These design documents are prepared solely for the use by the party with whom the design professional has entered into a contract and there are no representations of any kind made by the design professional to any party with whom the design professional has not entered into a contract.

EXISTING	LEGEND-PLAN	PROPOSED	EXISTING	LEGEND-PLAN	PROPOSED
---	WATER MAIN	---	---	ANCHOR	---
---	LAND DRAINAGE SEWER	---	---	IRON BAR	---
---	WASTE WATER SEWER	---	---	HYDRO POLE & LIGHT STANDARD	---
---	HYDRO	---	---	LIGHT STANDARD	---
---	M.T.S.	---	---	HYDRO POLE	---
---	GAS	---	---	CURB RAMP	---
---	SIGNALS	---	---	EDGE OF SIDEWALK	---
○	MANHOLE	●	---	PROPERTY LINE	---
□	CATCH BASIN	■	---	EDGE OF ASPHALT	---
△	CURB INLET	▽	---	MODIFIED BARRIER CURB	---
⌋	UTILITIES ADJUSTED	⌋	---	MODIFIED BARRIER CURB & GUTTER	---
⌋	PLUG	⌋	---	BARRIER CURB	---
⌋	HYDRANT	⌋	---	BARRIER CURB & GUTTER	---
⌋	VALVE	⌋	---	EDGE OF CONCRETE	---
⌋	CURB STOP	⌋	---	SIDEWALK	---
---	GROUND GRADE	---	---	CONCRETE	---
---	PAVEMENT GRADE	---	---	ASPHALT	---
---	LOT GRADE	---	---	ASPHALT OVERLAY	---
---	LEGEND-PLAN	---	---	LEGEND-PROFILE	---



LOCATIONS APPROVED UNDERGROUND STRUCTURES

SIGNED BY: _____ DATE: _____

NO. REVISIONS

NO.	REVISIONS	DATE	BY
F			
E			
D			
C	ADDENDUM 1	26.03.15	SDG
B	ISSUED FOR TENDER	20.03.15	SDG
A	ISSUED TO U/G STRUCTURES FOR REVIEW	13.02.15	SDG

LOCATION OF UNDERGROUND STRUCTURES AS SHOWN ARE BASED ON THE BEST INFORMATION AVAILABLE BUT NO GUARANTEE IS GIVEN THAT ALL EXISTING UTILITIES ARE SHOWN OR THAT THE GIVEN LOCATIONS ARE EXACT CONFIRMATION OF EXISTENCE AND EXACT LOCATION OF ALL SERVICES MUST BE OBTAINED FROM THE INDIVIDUAL UTILITIES BEFORE PROCEEDING

NOTES:

- ALL WORK AND MATERIALS TO BE IN ACCORDANCE WITH THE LATEST REVISION OF THE CITY OF WINNIPEG STANDARD CONSTRUCTION SPECIFICATIONS.
- ALL ROADWAY DIMENSIONS SHOWN ARE TO BACK OF CURB.
- ALL BOULEVARDS TO BE SODDED UNLESS OTHERWISE NOTED.
- ADD 200.00 TO ALL ELEVATIONS TO OBTAIN GEODETIC ELEVATION.
- CURB 180MM REVEAL, UNLESS OTHERWISE NOTED.
- ALL APPROACHES WITH PAVERS TO BE RESTORED TO MATCHING EXISTING PAVER PATTERNS.
- INSTALL 40MM LIP CURB THROUGH ALL APPROACHES.

METRIC
WHOLE NUMBERS INDICATE MILLIMETRES
DECIMALIZED NUMBERS INDICATE METRES

MMM GROUP
Certificate of Authorization
MMM Group Limited
No. 4531

THE CITY OF WINNIPEG
PUBLIC WORKS DEPARTMENT
ENGINEERING DIVISION

2015 STREET RENEWAL PROGRAM
HINDLEY AVENUE - ST. MARY'S ROAD TO FITZPATRICK ROAD

PAVEMENT RECONSTRUCTION
STA. 0+93 TO STA. 2+60

CITY DRAWING NUMBER: 5 OF 10
SHEET 5 OF 10
BID NO. 25-2015

CONSULTANT ACAD DWG. NO. 5514117-C-05

May 26, 2015 - 10:54am
 P:\2015\00-5514117\2015 Local Streets and Alley Renewal Program\15-R-C-04\MMM Drawings\Construction Drawings\Reconstruction\5514117_005-C08_Hindley Ave Plan\Profiles_20150526.dwg - Tab C-05

MATCHLINE STA. 2+60, SEE DWG C-06