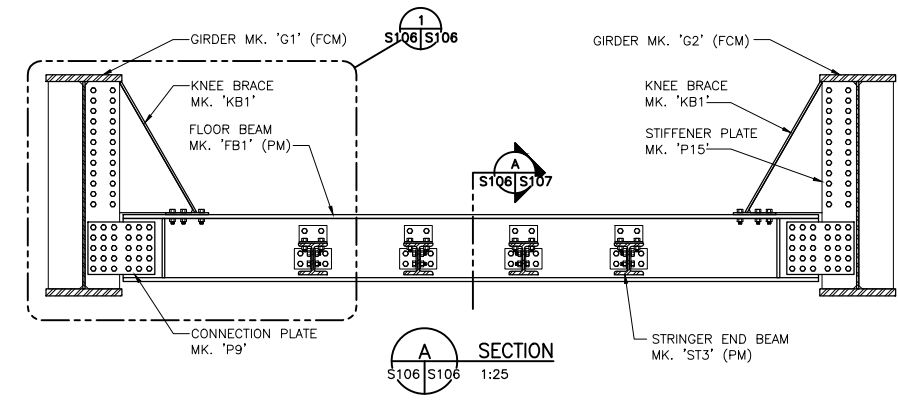
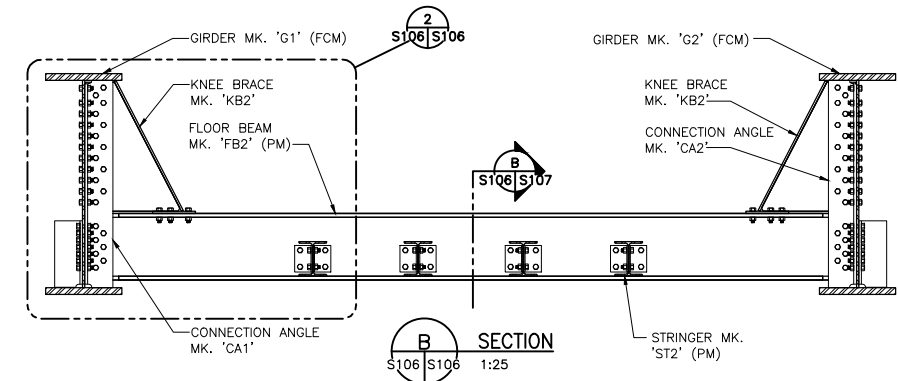


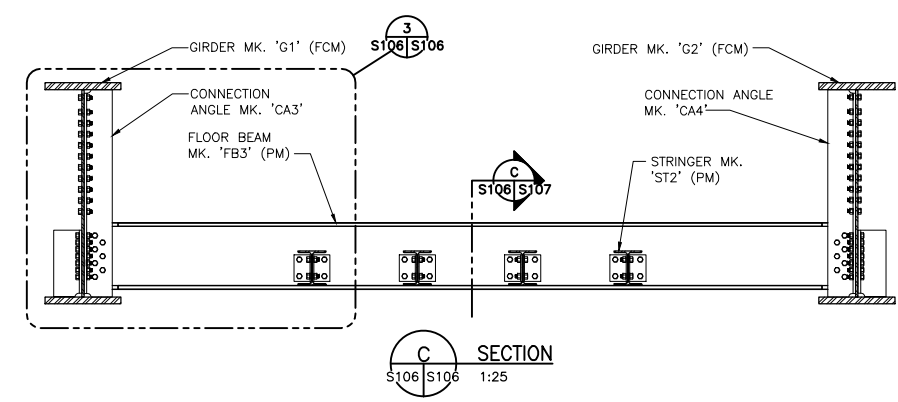
**BRIDGE PLAN**  
1:50  
NOTE:  
TOP FLANGE OF GIRDERS AND FLOOR BEAMS NOT SHOWN FOR CLARITY



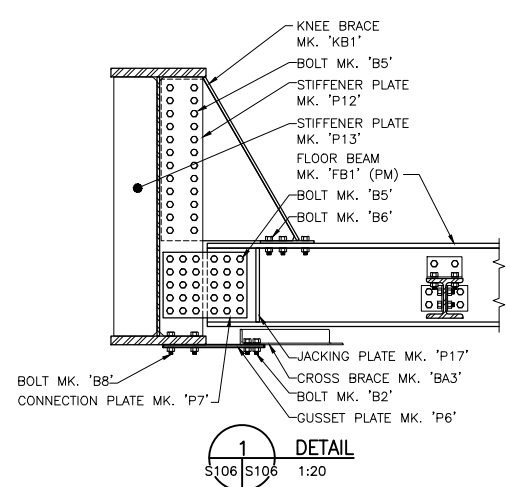
**SECTION A**  
1:25



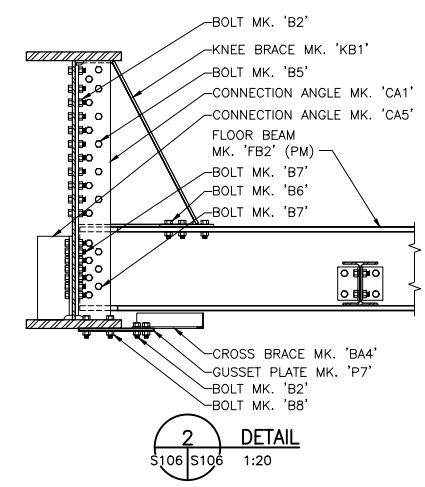
**SECTION B**  
1:25



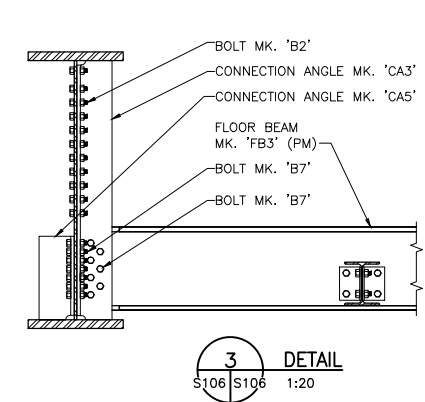
**SECTION C**  
1:25



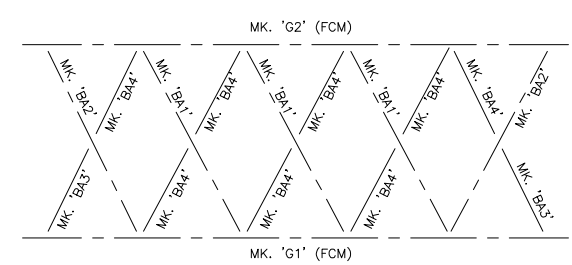
**DETAIL 1**  
1:20



**DETAIL 2**  
1:20



**DETAIL 3**  
1:20



**CROSS BRACING LAYOUT**  
1:100

**APEGM**  
Certificate of Authorization  
Stantec Consulting Ltd.  
No. 1301

**METRIC**  
WHOLE NUMBERS INDICATE MILLIMETRES  
DECIMALIZED NUMBERS INDICATE METRES  
UNLESS INDICATED OTHERWISE

<b>LOCATION APPROVED UNDERGROUND STRUCTURES</b>		B.M. ELEV.
N/A		
SUPV. U/G STRUCTURES COMMITTEE	DATE	
NOTE: LOCATION OF UNDERGROUND STRUCTURES AS SHOWN ARE BASED ON THE BEST INFORMATION AVAILABLE BUT NO GUARANTEE IS GIVEN THAT ALL EXISTING UTILITIES ARE SHOWN OR THAT THE GIVEN LOCATIONS ARE EXACT. CONFIRMATION OF EXISTENCE AND EXACT LOCATION OF ALL SERVICES MUST BE OBTAINED FROM THE INDIVIDUAL UTILITIES BEFORE PROCEEDING WITH CONSTRUCTION.		
ISSUED FOR TENDER	15.04.24	J.M.B.
NO. REVISIONS	DATE	BY

<b>Stantec</b> 100 - 1355 Taylor Avenue, Winnipeg MB Canada www.stantec.com	
DESIGNED BY S.S.Y.	CHECKED BY M.J.B.
DRAWN BY J.M.B.	APPROVED BY M.J.B.
HOR. SCALE: AS NOTED	RELEASED FOR CONSTRUCTION: DATE
VERTICAL:	

ENGINEER'S SEAL  
  
CONSULTANT DRAWING NO.  
**S106**

**THE CITY OF WINNIPEG**  
WATER AND WASTE DEPARTMENT  
ENGINEERING DIVISION

**GREATER WINNIPEG WATER DISTRICT**  
RAILWAY BRIDGE REPLACEMENT AT MILE 22.15  
STEEL LAYOUT & CONNECTION DETAIL

SHEET **8** OF **15**  
CAD FILE DRAWING NUMBER  
32050-s-106-800.dwg  
CITY DRAWING NUMBER  
**D-13429**

V:\1137\32050\working\404\_working\sheet\_files\mile\_22.15\32050-s-106-800.dwg  
Date: 2015.04.24 11:17am Login: Revant, R00001