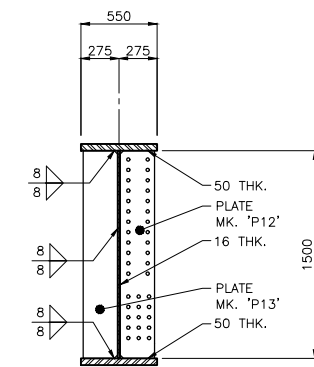
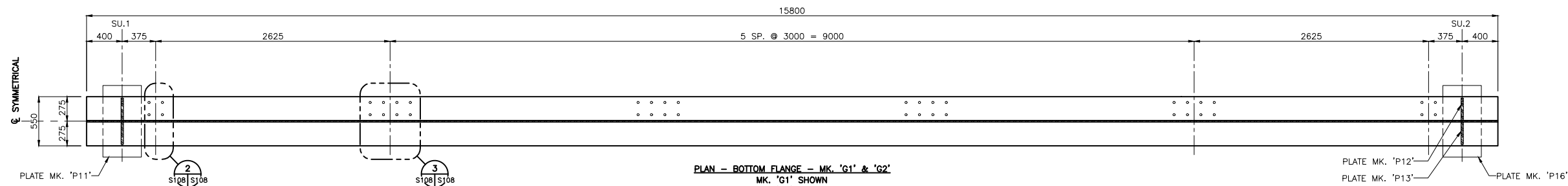


ELEVATION - MK. 'G1' & 'G2'  
MK. 'G1' SHOWN  
MK. 'G2' OPPOSITE

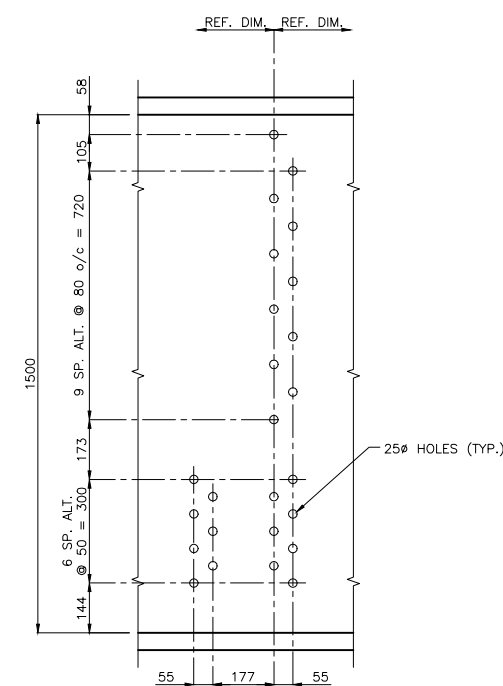


SECTION A-A  
1:25

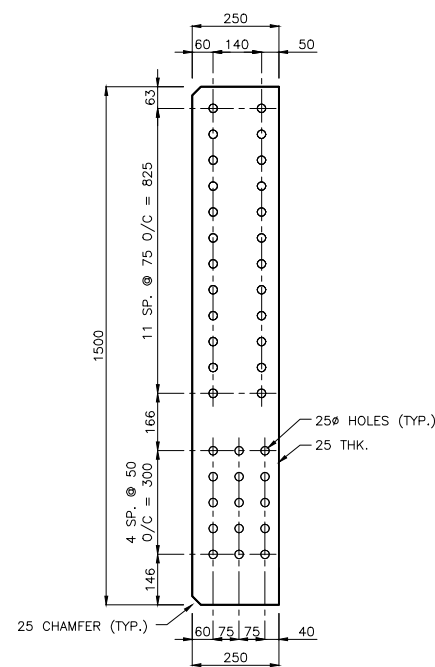


PLAN - BOTTOM FLANGE - MK. 'G1' & 'G2'  
MK. 'G1' SHOWN  
MK. 'G2' OPPOSITE

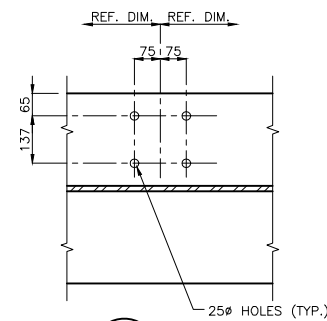
GIRDER MK. 'G1' & 'G2'  
1:25



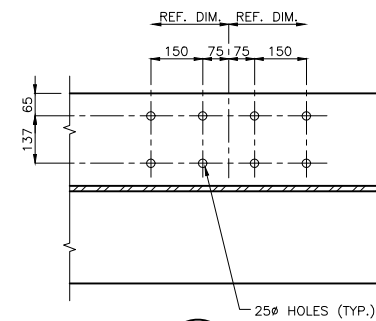
1 DETAIL  
S108 S108 1:10



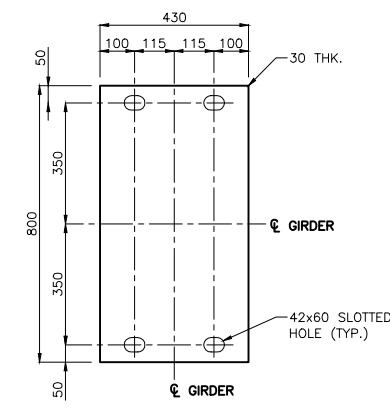
STIFFENER PLATE  
MK. 'P12' & 'P13'  
1:10  
MK. 'P12' SHOWN  
MK. 'P13' NO HOLES



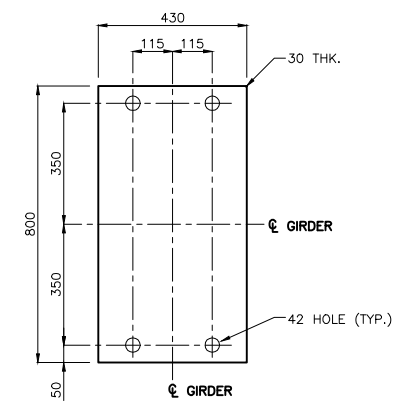
2 DETAIL  
S108 S108 1:10



3 DETAIL  
S108 S108 1:10



BEARING PLATE MK. 'P11'  
1:10



BEARING PLATE MK. 'P16'  
1:10



METRIC  
WHOLE NUMBERS INDICATE MILLIMETRES  
DECIMALIZED NUMBERS INDICATE METRES  
UNLESS INDICATED OTHERWISE

LOCATION APPROVED UNDERGROUND STRUCTURES		B.M. ELEV.	
N/A			
SUPV. U/G STRUCTURES COMMITTEE	DATE	DESIGNED BY	S.S.Y.
		CHECKED BY	M.J.B.
		DRAWN BY	J.P.W.
		APPROVED BY	M.J.B.
		HOR. SCALE:	AS NOTED
		RELEASED FOR CONSTRUCTION:	
0 ISSUED FOR TENDER	15.04.24	DATE	2014.03.24
NO. REVISIONS	DATE	BY	DATE

 100 - 1355 Taylor Avenue, Winnipeg MB Canada www.stantec.com	
ENGINEER'S SEAL	
CONSULTANT DRAWING NO.	S108

THE CITY OF WINNIPEG WATER AND WASTE DEPARTMENT ENGINEERING DIVISION
GREATER WINNIPEG WATER DISTRICT RAILWAY BRIDGE REPLACEMENT AT MILE 22.15 STEEL GIRDER DETAILS

SHEET 10 OF 15
CAD FILE DRAWING NUMBER 32050-s-108-800.dwg
CITY DRAWING NUMBER D-13431