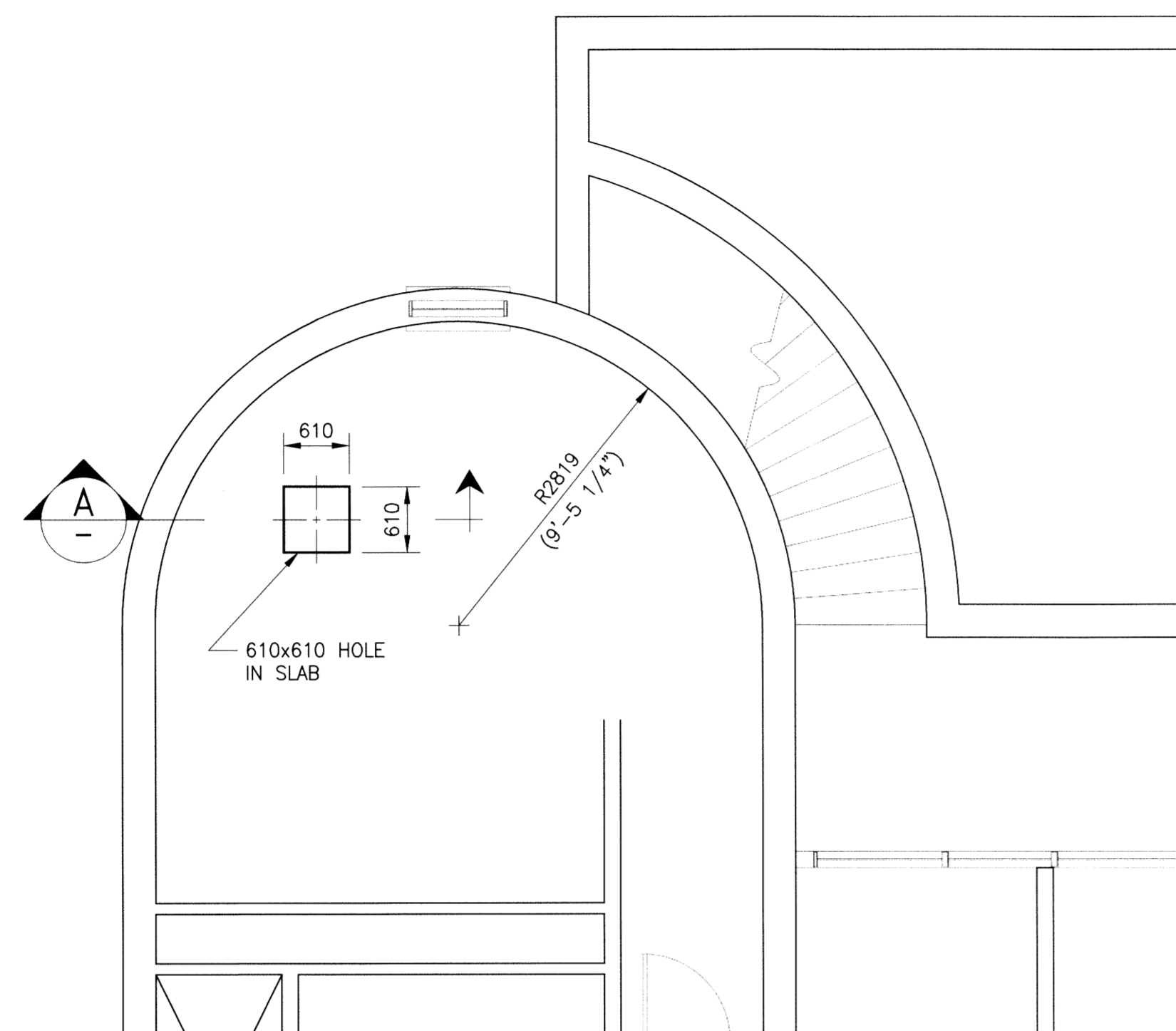
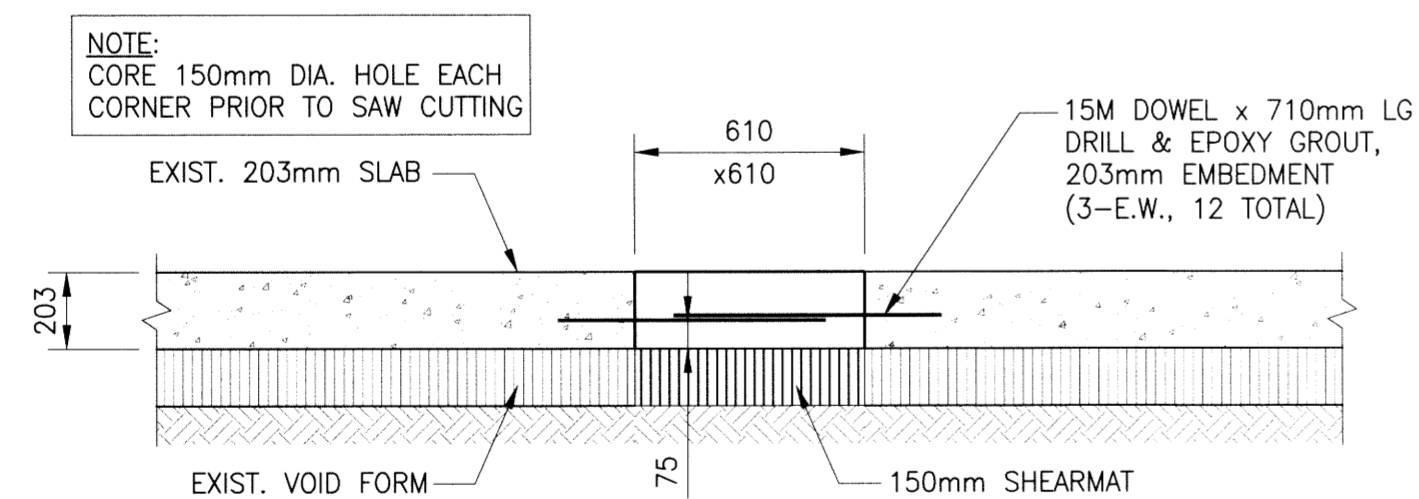


P:\Projects\2015\15-0107-002\Draw\Struct\15-0107-002-S01.dwg - Tab: Layout1 Plotted By: DBerchke 03/17/2015 [1:21:10pm] PROJECT No: 421 OSBORNE STREET SHEET TITLE: STRUCTURAL - BASEMENT FLOOR PLAN DATE: 2015-03-10 FILE NAME: 15-0107-002_M01



BASEMENT PARTIAL FLOOR PLAN
SCALE: 1:50



DETAIL A - SEWER HOLE
SCALE: 1:20

REINFORCING STEEL:

1. REINFORCING STEEL TO BE NEW DEFORMED BILLET STEEL BARS CONFORMING TO CSA G30.18 (2009). GRADE TO BE 400 MPa.
2. REINFORCING STEEL SHALL BE CLEAN, FREE OF RUST, DIRT, LOOSE SCALE, OIL, GREASE OR ANY OTHER MATERIAL WHICH WOULD REDUCE BOND WITH THE CONCRETE.

CONCRETE:

1. CONCRETE MATERIALS AND WORKMANSHIP SHALL BE IN ACCORDANCE WITH CSA A23.1 (2014). SEE BELOW FOR MIX REQUIREMENTS.
2. ADMIXTURES SHALL NOT BE USED UNLESS SPECIFIED HEREIN OR APPROVED BY THE CONTRACT ADMINISTRATOR. CALCIUM CHLORIDE SHALL NOT BE USED.
3. MIX WATER SHALL BE POTABLE.
4. CONCRETE FINISHING SHALL MEET THE REQUIREMENTS OF CSA A23.1 (2014).
5. GROUT REINFORCING DOWELS WITH EPOXY GROUT HILTI HIT-HY150 MAX OR APPROVED EQUAL.
6. THE CONCRETE SUPPLIER SHALL BE CERTIFIED TO MEET THE REQUIREMENTS OF CSA A23.1 (2014).

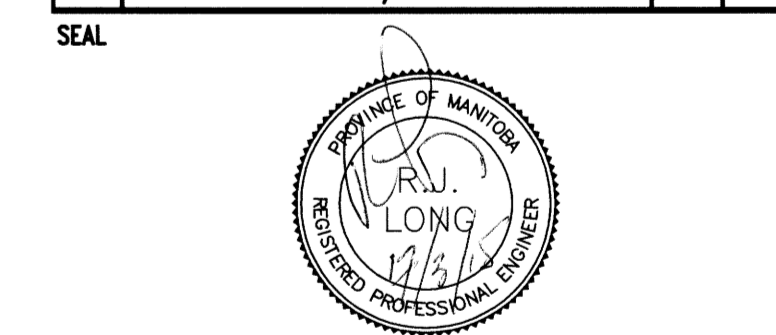
CONCRETE MIX DESIGNS:

CONCRETE MIX DESIGN SHALL BE PROPORTIONED TO MEET THE FOLLOWING PERFORMANCE REQUIREMENTS:

INTERIOR CONCRETE, ALL SLABS, WALLS, BEAMS & COLUMNS:

EXPOSURE CLASS	N
MIN. 28 DAY COMP. STRENGTH	30 MPa
CEMENT TYPE	GU
MAX. W/C RATIO	0.45
MAX. AGGREGATE SIZE	20mm
ENTRAINED AIR CONTENT	N/A

0	ISSUED FOR CONSTRUCTION		15.03.15
No.	REVISION/DESCRIPTION	BY	DATE

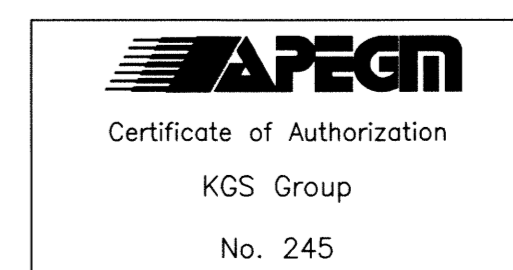


DRAWN	EDC	CHECKED	DESIGNED	APPROVED
DATE	2015-03-10	USER APPROVAL		

THE CITY OF WINNIPEG
PLANNING, PROPERTY AND
DEVELOPMENT DEPARTMENT
MUNICIPAL ACCOMMODATIONS DIVISION
3-65 GARRY STREET, R3C 4K4

PROJECT
WINNIPEG TRANSIT
SEWER SERVICE REPLACEMENT

421 OSBORNE STREET



SHEET TITLE
STRUCTURAL
BASEMENT FLOOR PLAN
SEWER SERVICE HOLE REINF.

SCALE	PROJECT No:	SHEET No:
AS NOTED	15-0107-002	S01