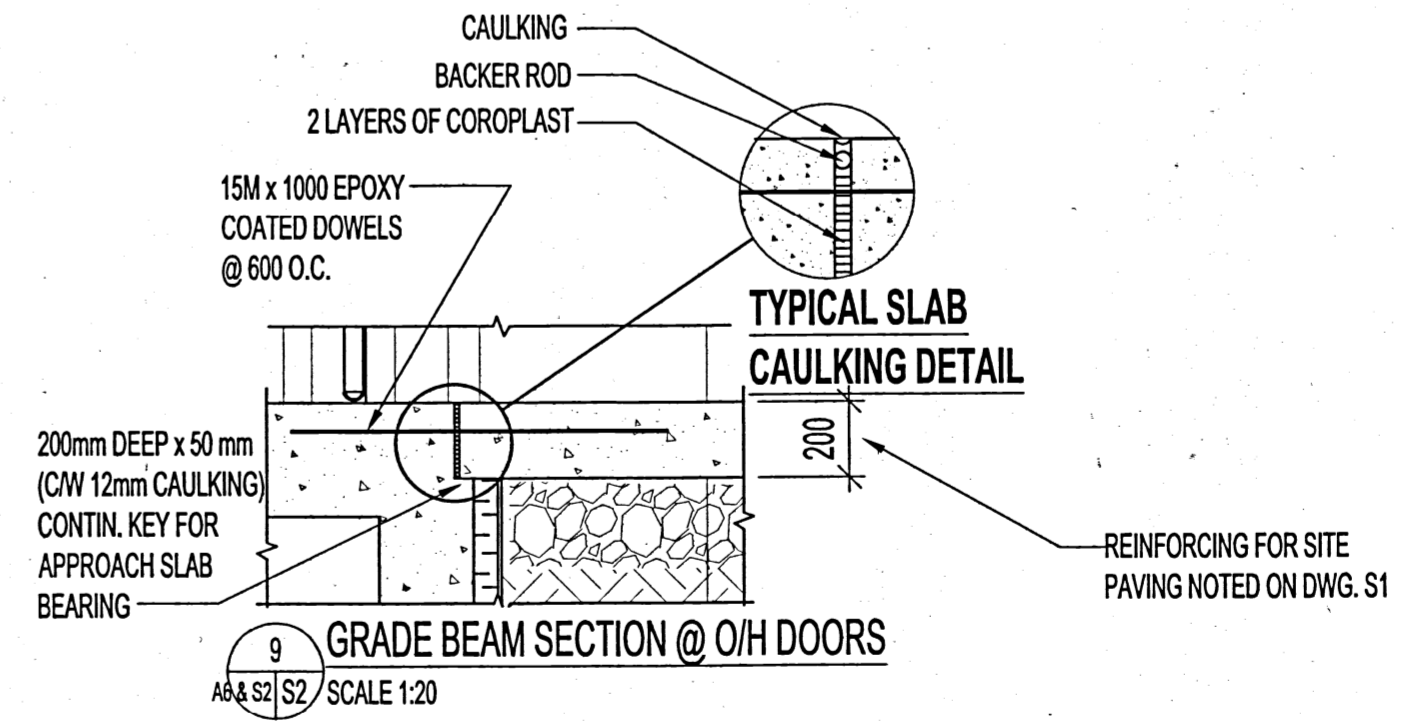
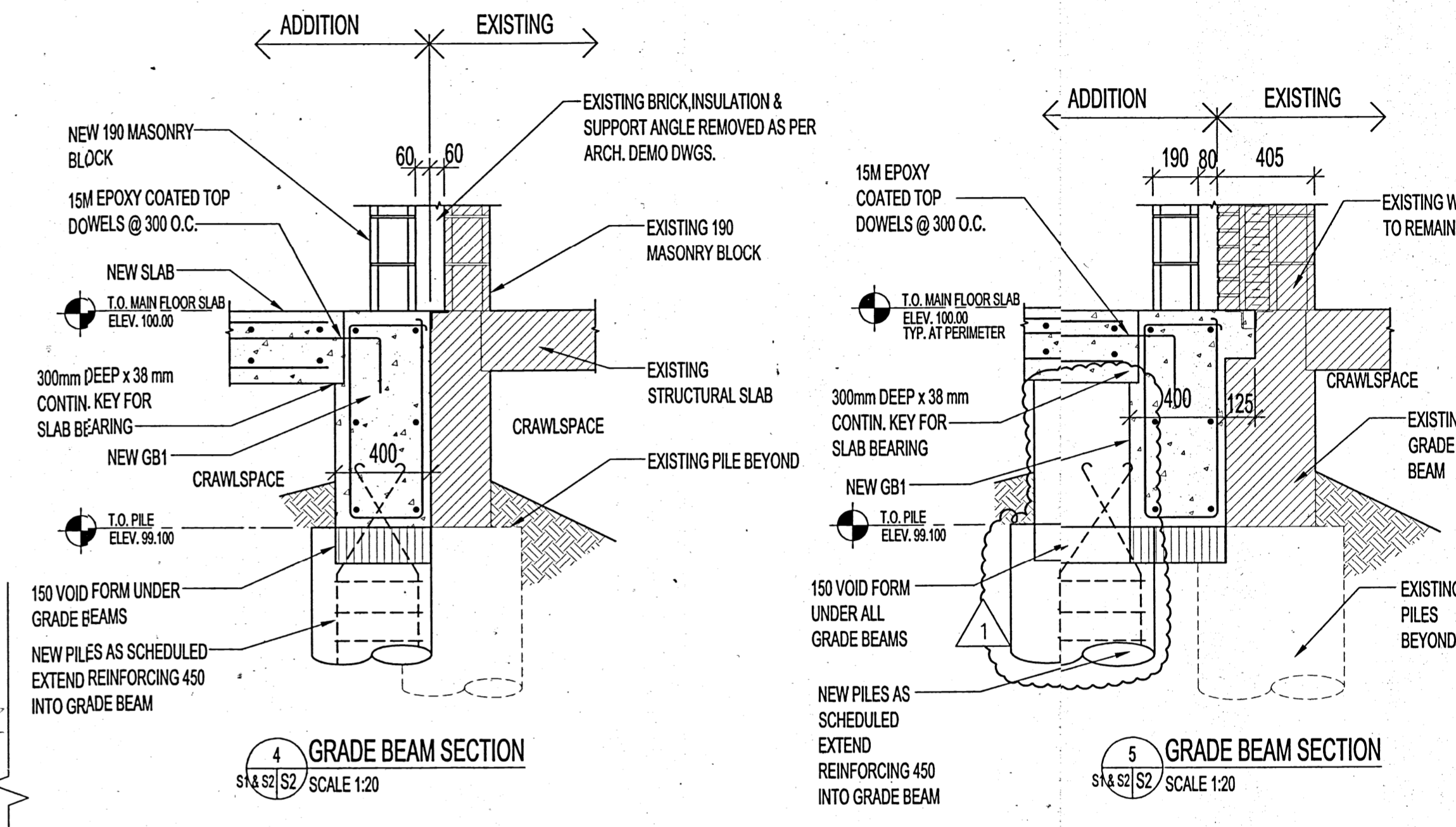
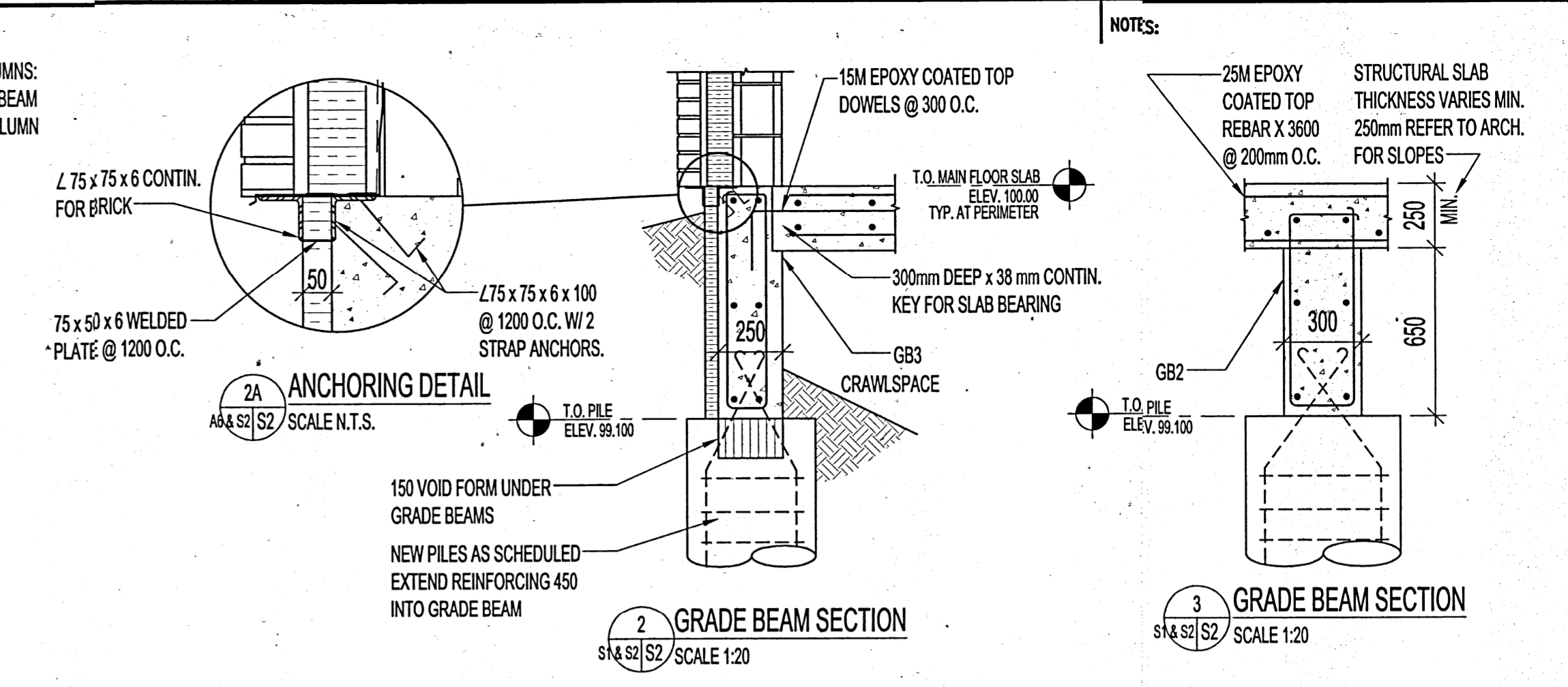
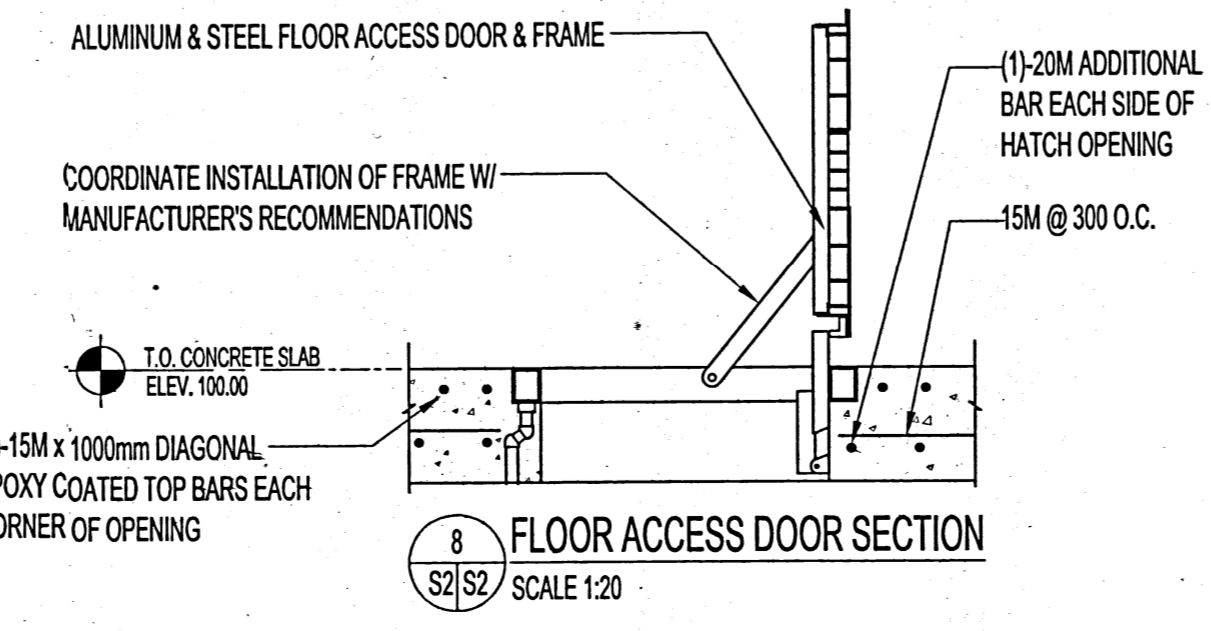
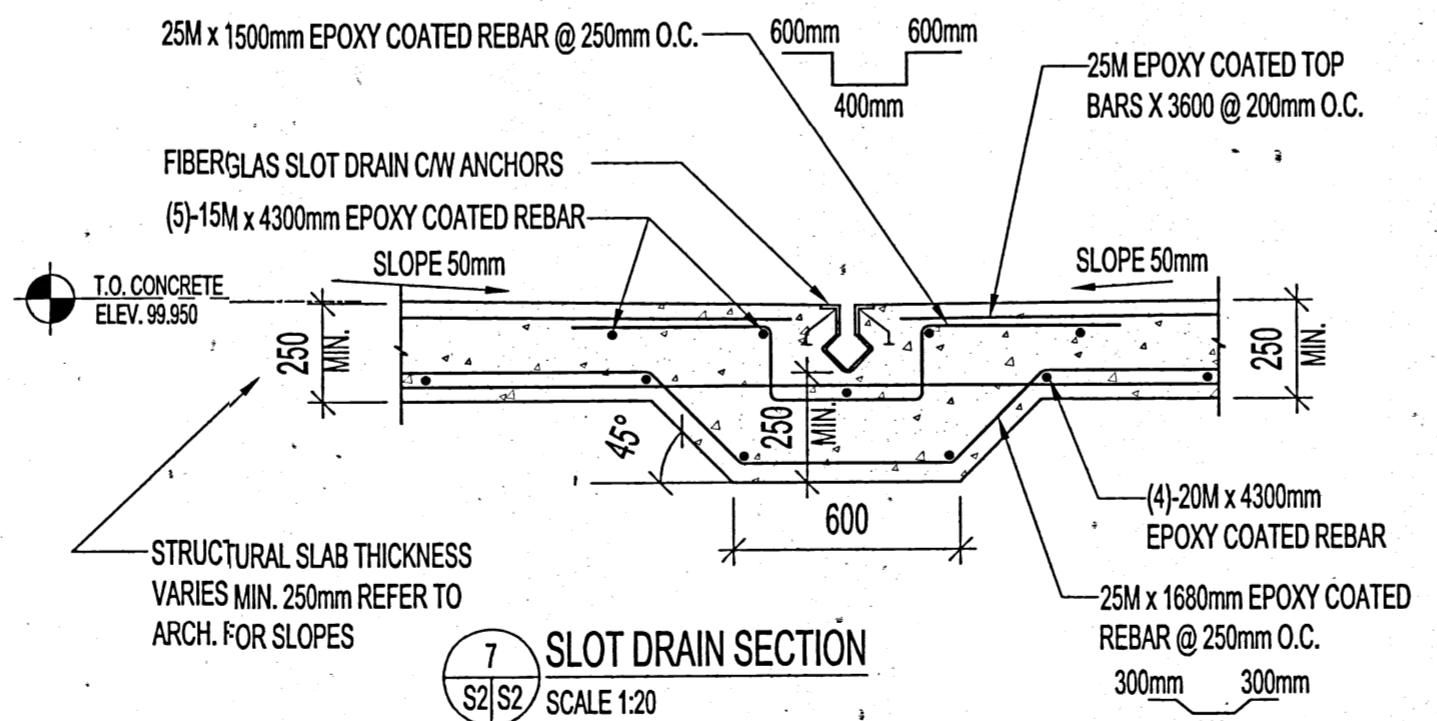
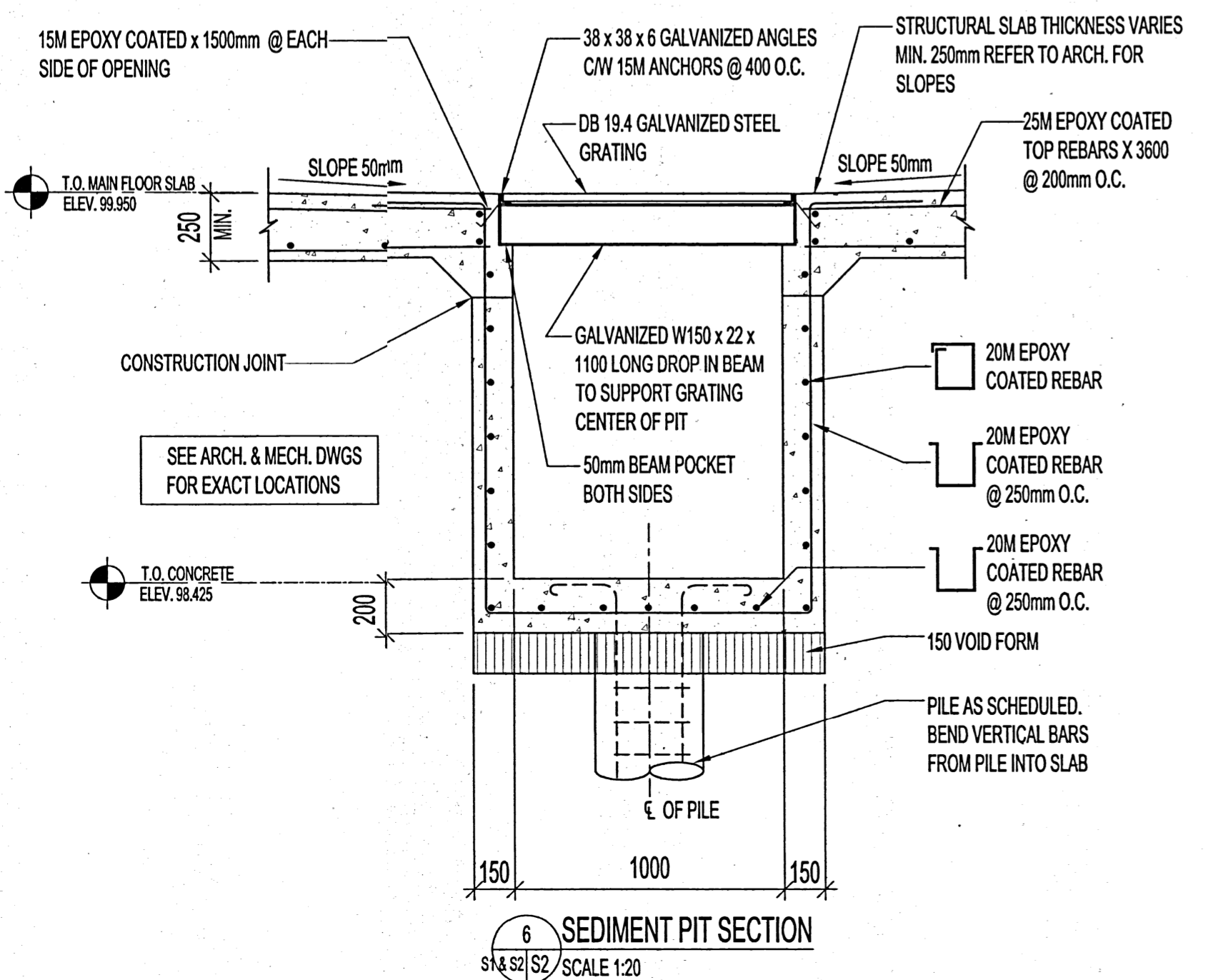


**MAIN FLOOR LIVE LOAD = 12.0 kPa UNIFORM LOAD
OR 54 KN CONCENTRATED LOAD
BASED ON VEHICLE WEIGHTS EXCEEDING 9,000 KG**



GRADE BEAM SCHEDULE			
MARK	SIZE	HORIZONTAL REINFORCING	STIRRUPS
GB1	400 x 900	(2)-20M T & B (2)-10M MID.	10M @ 300 O.C.
GB2	300 x 650	(2)-25M T & B (2)-10M MID.	10M @ 300 O.C.
GB3	250 x 900	(2)-20M T & B (2)-10M MID.	10M @ 300 O.C.
GB4	300 x 900	(2)-20M T & B (2)-10M MID.	10M @ 300 O.C.
GB5	600 x 900	(2)-20M T & B (2)-10M MID.	10M @ 300 O.C.

NOTES:

1 ISSUED FOR ADDENDUM #2 MMK 2015.06.05

ISSUED FOR CONSTRUCTION MMK 2015.03.26

No.	REVISION/DESCRIPTION	BY	DATE

SEAL

THE CITY OF WINNIPEG
PLANNING, PROPERTY AND DEVELOPMENT DEPARTMENT
MUNICIPAL ACCOMMODATIONS DIVISION
3-65 GARRY STREET, R3C 4K4

PROJECT: WINNIPEG FIRE PARAMEDIC SERVICES
ADDITIONAL APPARATUS ROOM BAYS

603 REDWOOD AVENUE

SHEET TITLE: MAIN FLOOR FRAMING PLAN
FOUNDATION DETAILS

SCALE	PROJECT No:	SHEET No:
AS SHOWN	2013-171-02	S2R1

DRAWING SHEET SIZE: A1 (841mm x 594mm) PLOT 1:1