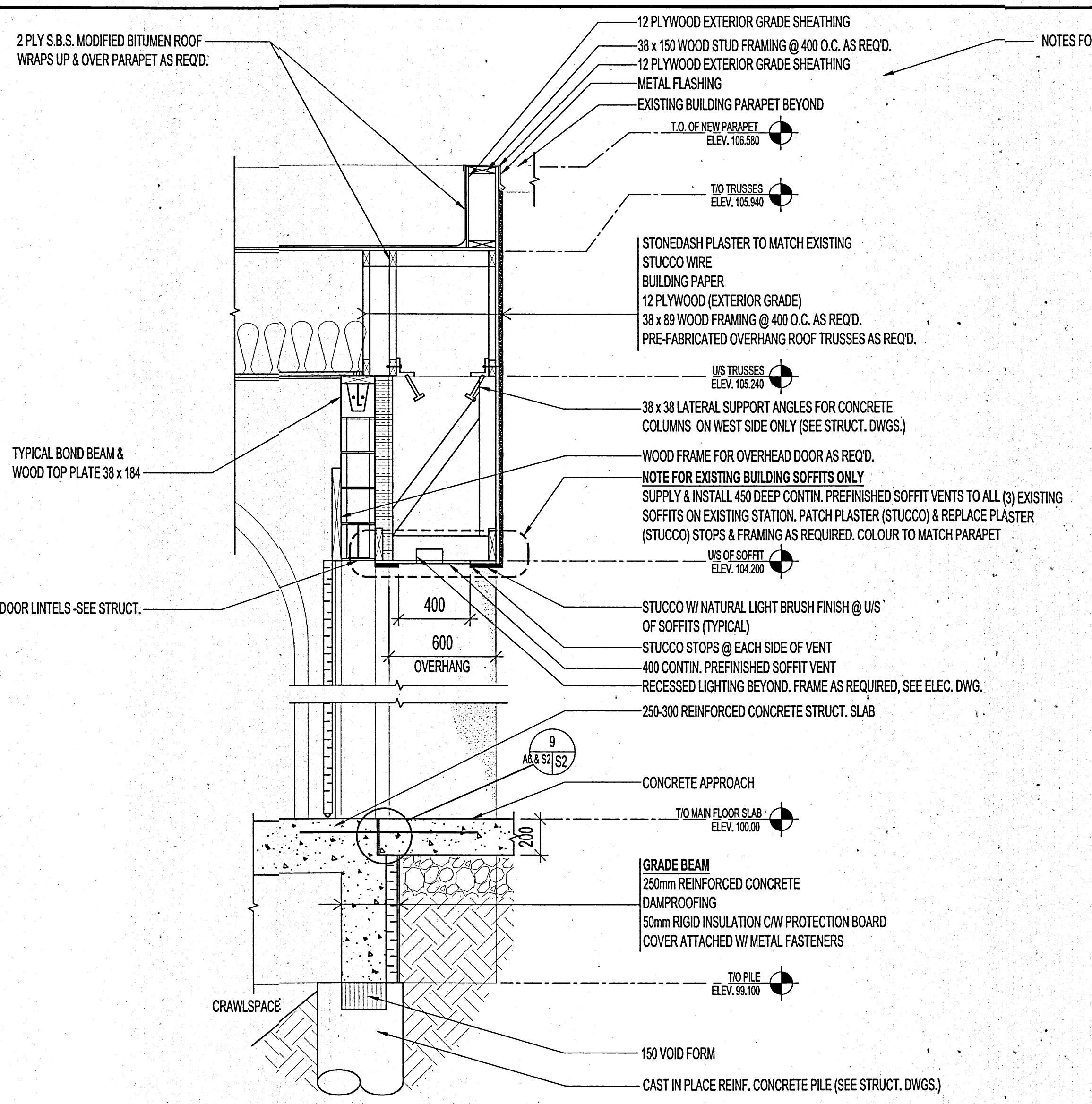
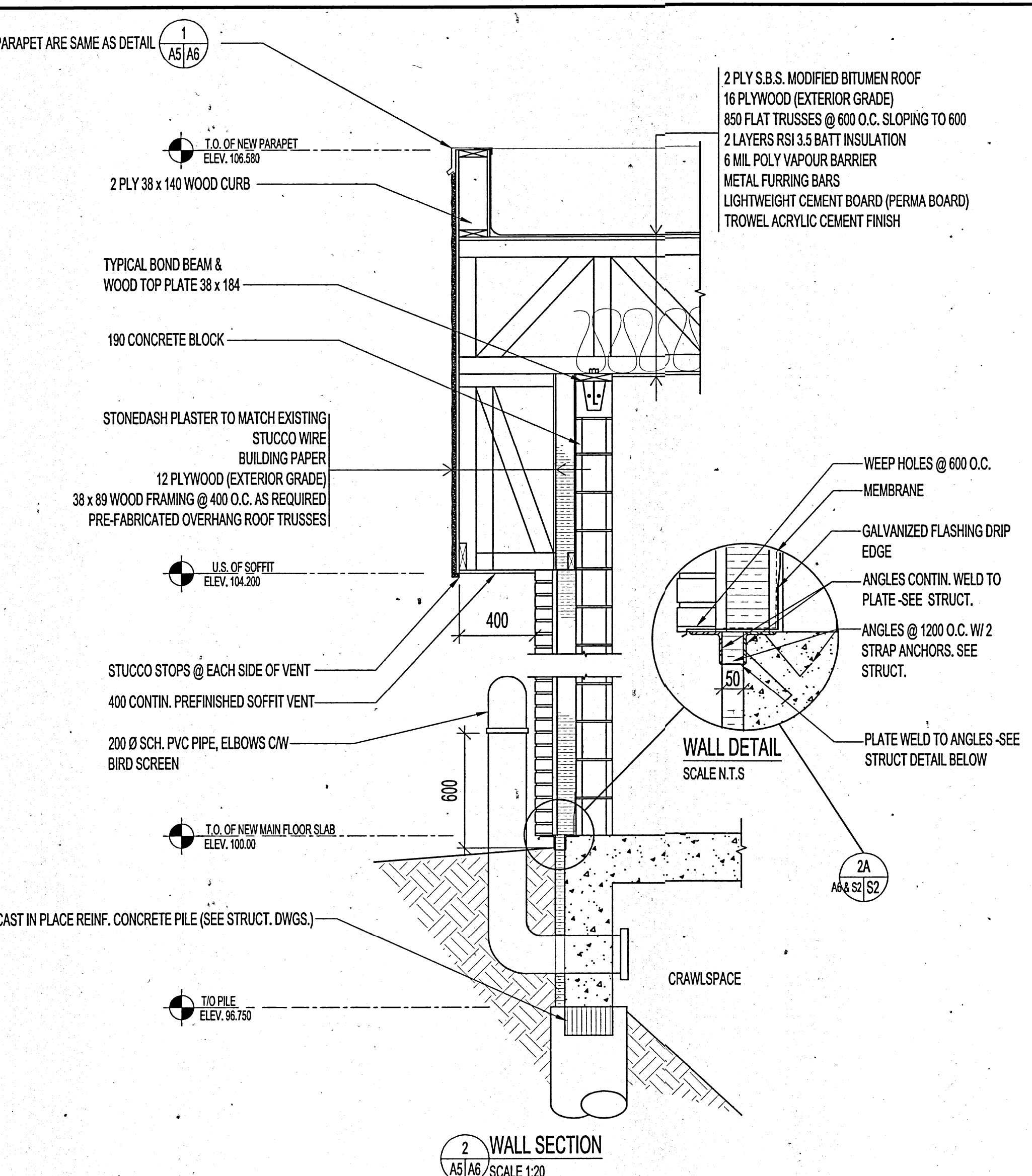


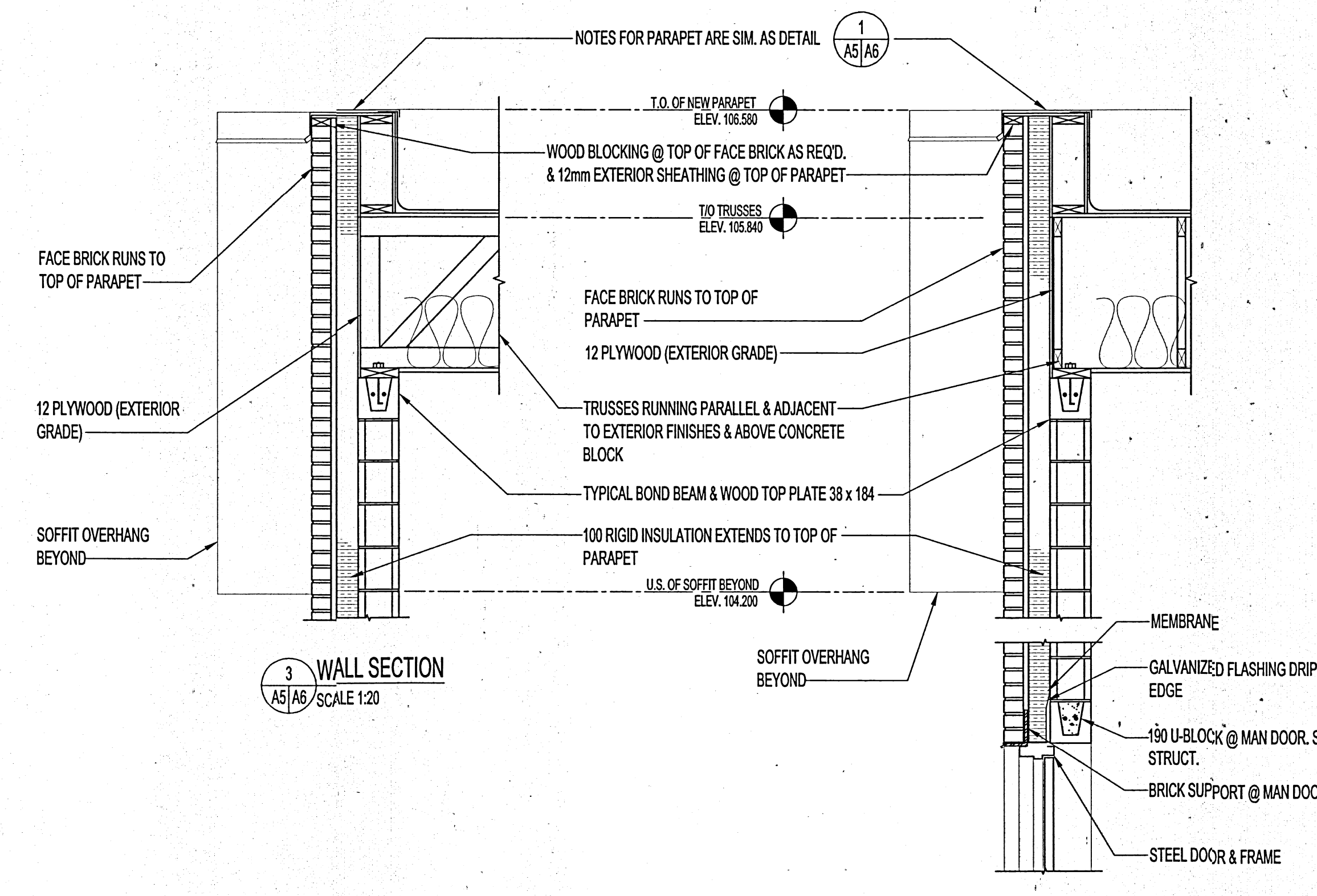
2013171V.dwg  
 FILE NAME:  
 DATE: 2015.02.09  
 SHEET TITLE: WALL SECTIONS & DETAILS  
 PROJECT No: 2013-171-02  
 ADDRESS: 603 REDWOOD AVENUE



1 WALL SECTION (TYPICAL FOR O/H DOORS WEST)  
 AS|A6 SCALE 1:20

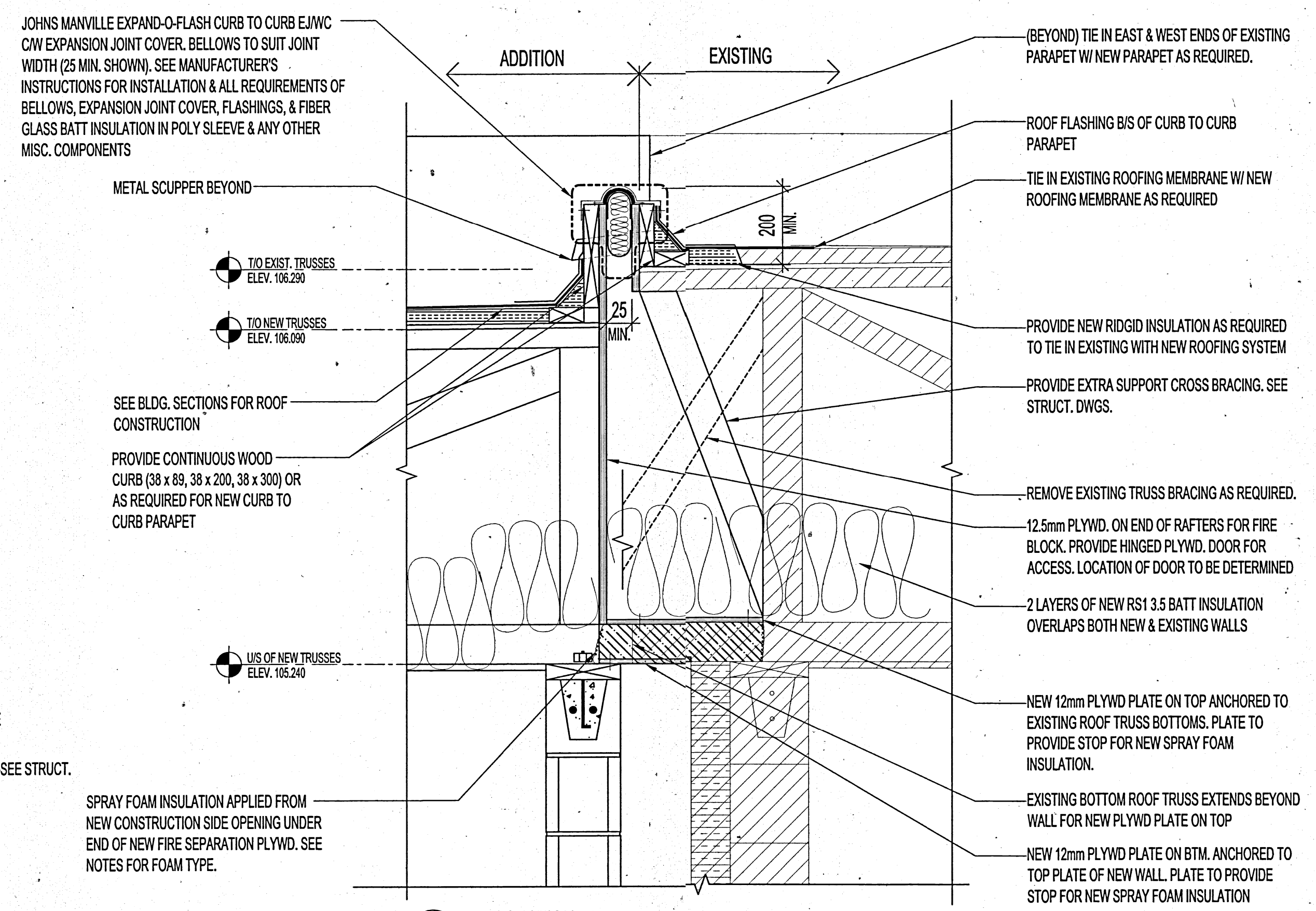


2 WALL SECTION  
 AS|A6 SCALE 1:20



3 WALL SECTION  
 AS|A6 SCALE 1:20

4 WALL SECTION / DOOR HEADER  
 AS|A6 SCALE 1:20



5 WALL SECTION  
 AS|A6 SCALE 1:10

NOTES:  
 SPRAY FOAM INSULATION  
 -SPRAY POLYURETHANE FOAM TYPE 2 (2 LB.)  
 -CMC CERTIFIED FOAM & CONFORMS TO THE CANADIAN STANDARDS OF CAN /ULCS 705.1 & CAN /ULCS 705.2

ISSUED FOR CONSTRUCTION MMK 2015.03.26

No.	REVISION/DESCRIPTION	BY	DATE

SEAL

PROVINCE OF MANITOBA  
 2015/03/26  
 R. K. FOK  
 REGISTERED ARCHITECT

DRAWN	CHECKED	DESIGNED	APPROVED
MMK			

DATE: 2015.02.09  
 USER APPROVAL

Winnipeg THE CITY OF WINNIPEG  
 PLANNING, PROPERTY AND  
 DEVELOPMENT DEPARTMENT  
 MUNICIPAL ACCOMMODATIONS DIVISION  
 3-65 GARRY STREET, R3C 4K4

PROJECT  
 WINNIPEG FIRE PARAMEDIC SERVICES  
 ADDITIONAL APPARATUS ROOM BAYS

603 REDWOOD AVENUE  
 SHEET TITLE  
 WALL SECTIONS  
 & DETAILS

SCALE	PROJECT No:	SHEET No:
AS SHOWN	2013-171-02	A6

DRAWING SHEET SIZE: A1 (841mm x 594mm) PLOT 1:1