

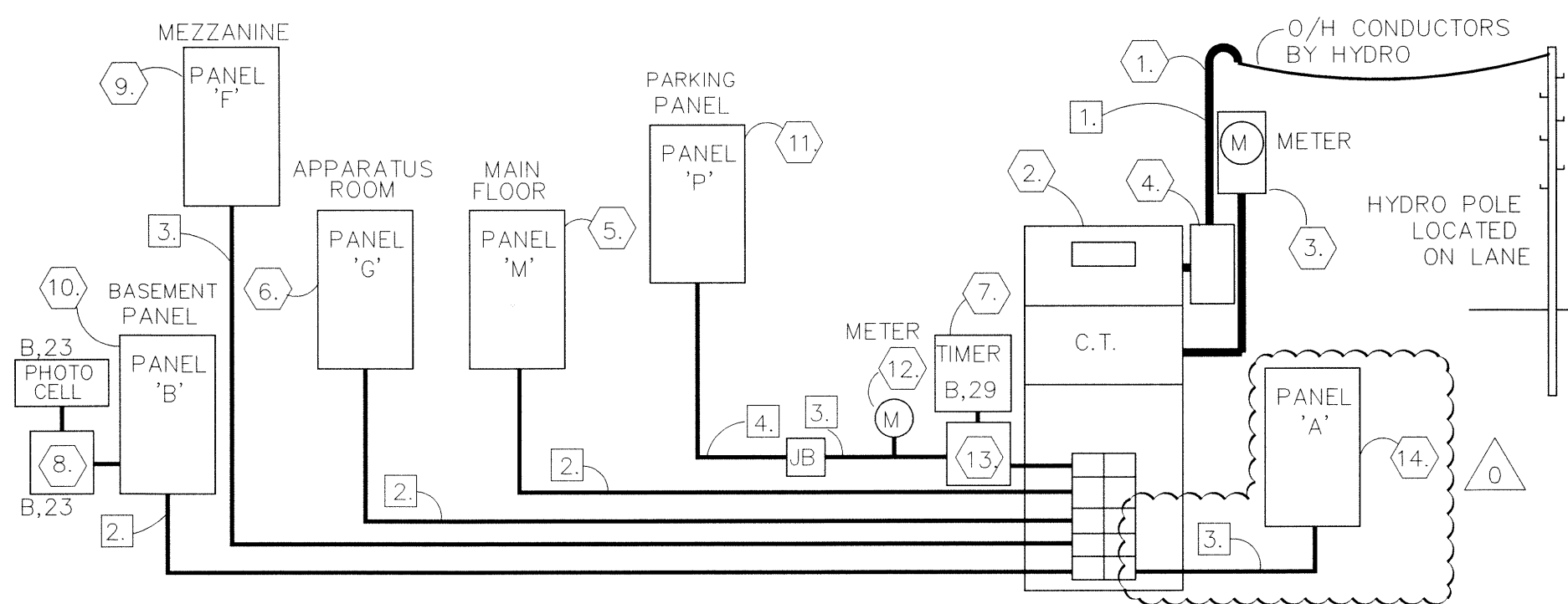
PANEL 'M' (MAIN FLOOR) FED FROM 150A. CIRCUIT BREAKER					
120/240V/1Ø 42 POLE BUS RATING 225A.		MOUNTING : SURFACE			
DEMAND LOAD	CON'CTD LOAD	CIRCUIT DESCRIPTION	BREAKER NO. (15A1P U/N OTHERWISE)	CIRCUIT DESCRIPTION	CON'CTD DEMAND LOAD
		LIGHTS, WASH. RM. HALL, DRYING RM.	1	LIGHTS, WASH. RM. STORAGE, JANITOR	
		LIGHTS, DORMITORY	3	LIGHTS, SITTING RM. LUNCH ROOM	
		LIGHTS, OFFICES	5	LIGHTS, CONTROL RM. OFFICE, FRNT. STAIRS	
		ELECTRIC HEATER REAR ENTRANCE	7	ELECTRIC HEATER DORMITORY	
		RECEPTACLES, WASHROOMS, HALL	9	RECEPTACLES, DORMITORY, HALL	
		RECEPTACLES, SITTING ROOM	13	SMOKE ALARM	
		RECEPTACLES, SITTING ROOM	15	RECEPTACLES, ISLAND COUNTER	
		EXH. FANS EF-1, EF-2, EF-3, EF-4, EF-9	17	RECEPTACLES, FRIDGE	
		RECEPTACLES, REAR ENTRANCE	19	RECEPTACLE MICROWAVE OVEN	
		SPLIT, KIT. COUNTER	21	RECEPTACLES, LUNCHROOM	
		RANGE	23	RECEPTACLE DRINKING FOUNTAIN	
			25	RECEPTACLES, CONTROL OFFICE	
		RECEPTACLES, OFFICE	27	RECEPTACLES, OFFICE, HALL	
		RECEPTACLES, OFFICE	29	RECEPTACLES, STORAGE RM., HALL	
		RECEPTACLES, CONTROL OFFICE	31	SPARE	
		RECEPTACLES, CONTROL OFFICE	33	SPARE	
		RECEPTACLES, CONTROL OFFICE	35		
		SPARE	37		
		SPARE	39		
			41		

PANEL 'G' GARAGE (APPARATUS AREA) FED FROM 150A. CIRCUIT BREAKER					
120/240V/1Ø 42 POLE BUS RATING 225A.		MOUNTING : RECESSED			
DEMAND LOAD	CON'CTD LOAD	CIRCUIT DESCRIPTION	BREAKER NO. (15A1P U/N OTHERWISE)	CIRCUIT DESCRIPTION	CON'CTD DEMAND LOAD
		LIGHTS, APPARATUS	1	LIGHTS, APPARATUS	
		LIGHTS, APPARATUS	3	LIGHTS, APPARATUS	
		LIGHTS, HOSE TOWER	5	LIGHTS, HOSE TOWER	
		RECEPTACLES, HOSE TOWER	7	OVERHEAD DOOR #1	
		HOSE TOWER, EXH. FAN EF-8	9		
		OVERHEAD DOOR #2	11	OVERHEAD DOOR #3	
			13		
		RECEPTACLES, APPARATUS	15	RECEPTACLES, APPARATUS	
		RECEPTACLE, WASHING MACHINE	17	RECEPTACLE, FUTURE DRYER	
			19	HOSE TOWER, EXH. FAN EF-7	
		HOIST MOTOR #10	21	ELECTRIC HEATER CONTROL ROOM	
		HOIST MOTOR AWC	23		
		ELECTRIC HEATER FRONT ENTRANCE	25	SPARE	
			27	SPARE	
		SPARE	29		
		SPARE	31		
			33		
			35		
			37		
			39		
			41		

PANEL 'B' (BASEMENT) FED FROM 150A. CIRCUIT BREAKER					
120/240V/1Ø 42 POLE BUS RATING 225A.		MOUNTING : SURFACE			
DEMAND LOAD	CON'CTD LOAD	CIRCUIT DESCRIPTION	BREAKER NO. (15A1P U/N OTHERWISE)	CIRCUIT DESCRIPTION	CON'CTD DEMAND LOAD
		LIGHTS, ELECT. RM.	1	FURNACE, F-1	
		M.T.S. RECEPTACLE ELECTRICAL ROOM	3	FURNACE, F-2	
		RECEPTACLE ELECTRICAL ROOM	5	RECEPTACLE SUMP PUMP	
		RECEPTACLE DATA/COMM. BOARD	7	DOM. HOT WATER CIRC. PUMP	
		RECEPTACLE	9	RECEPTACLES	
		ELECTRIC HEATER FURNACE ROOM	11	LIGHTS, FURNACE ROOM	
			13	LIGHTS, BASEMENT AREA	
		ELECTRIC HEATER SOUTH STAIR	15	LIGHTS, BASEMENT AREA	
			17	NIGHT LIGHTS, RECEPT. BATTERY PAK	
		ELECTRIC HEATER NORTH STAIR	19	AIR-CONDITIONING AC-1 #8 AWG	
		OUTSIDE LIGHTS	23	AIR-CONDITIONING AC-2 #8 AWG	
		OUTSIDE LIGHTS	25	RECEPTACLE BASEMENT AREA	
		RECEPTACLE BASEMENT AREA	27	RECEPTACLE BASEMENT AREA	
		PARKING LOT TIMER DOOR BELL & CHIME	29	LIGHTS, CRAWLSPACE	
		ELECTRIC HEATER FURNACE ROOM	31	SPARE	
			33	SPARE	
		SPARE	35		
		SPARE	37		
			39		
			41		

PANEL 'P' (PARKING PANEL) FED FROM 100A. CIRCUIT BREAKER					
120/240V/1Ø 24 POLE BUS RATING 225A.		MOUNTING : SURFACE, INSIDE CABINET			
DEMAND LOAD	CON'CTD LOAD	CIRCUIT DESCRIPTION	BREAKER NO. (15A1P U/N OTHERWISE)	CIRCUIT DESCRIPTION	CON'CTD DEMAND LOAD
		PARKING RECEPT.	1	PARKING RECEPT.	
		PARKING RECEPT.	3	PARKING RECEPT.	
		PARKING RECEPT.	5	PARKING RECEPT.	
		PARKING RECEPT.	7	PARKING RECEPT.	
		PARKING RECEPT.	9	PARKING RECEPT.	
		PARKING RECEPT.	11	PARKING RECEPT.	
		PARKING RECEPT.	13	PARKING RECEPT.	
		PARKING RECEPT.	15	PARKING RECEPT.	
		SPARE	17	SPARE	
		SPARE	19	SPARE	
			21		
			23		
			24		

PANEL 'F' (MEZZ. FURNACE ROOM) FED FROM 100A. CIRCUIT BREAKER					
120/240V/1Ø 24 POLE BUS RATING 225A.		MOUNTING : SURFACE			
DEMAND LOAD	CON'CTD LOAD	CIRCUIT DESCRIPTION	BREAKER NO. (15A1P U/N OTHERWISE)	CIRCUIT DESCRIPTION	CON'CTD DEMAND LOAD
		WASH. RM. EXH. FAN EF-5	1	LIGHTS, FURNACE RM.	
		FURNACE, F-3	3	FURNACE, F-4	
		FURNACE, F-5	5	RECEPT. FURNACE ROOM	
		ELECTRIC HEATER	7	RECEPT. FOR EMER. BAT. PAK	
		ELECTRIC HEATER	9	EXH. FAN EF-6	
		SPARE	11	SPARE	
		SPARE	13	SPARE	
			15		
			17		
			19		
			21		
			23		
			24		



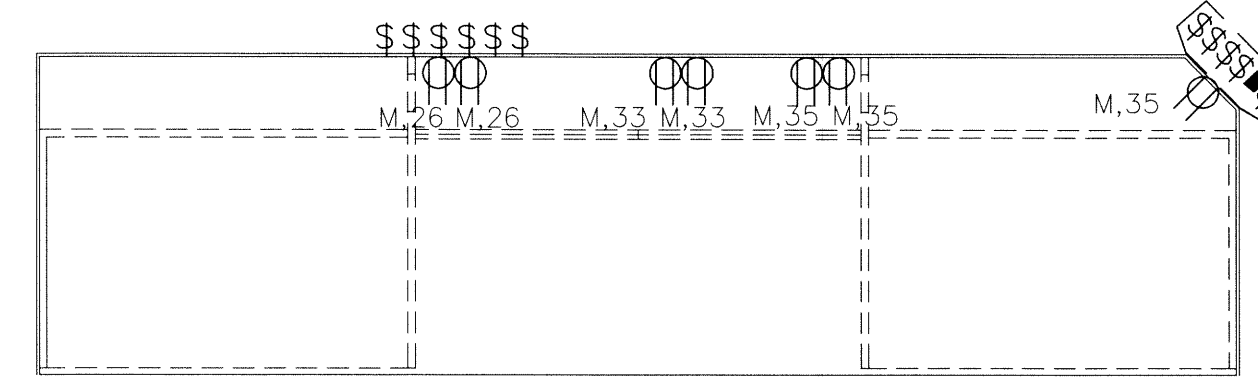
CONDUCTORS SCHEDULE

1	6C-4/0 RW90-CU IN 75Ø EMT.
2	3C-1/0 RW90-CU IN 50Ø EMT.
3	3C-#3 RW90-CU IN 32Ø EMT.
4	3C-#3-CU TECK CABLE

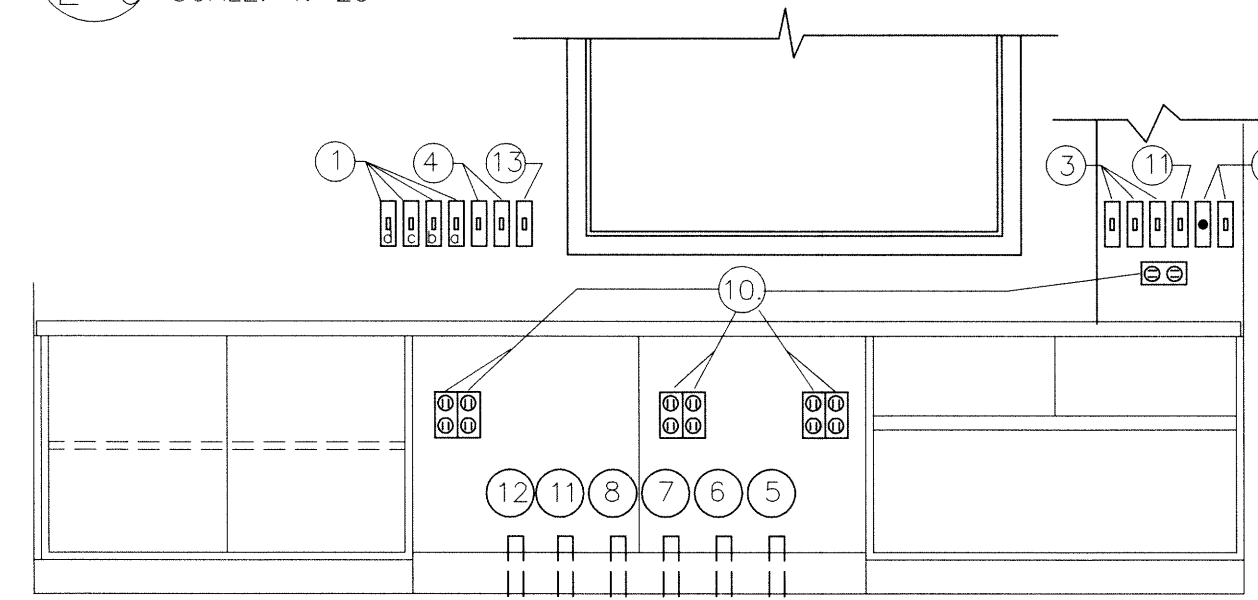
- OVERHEAD SERVICE MAST
- SERVICE ENTRANCE DISTRIBUTION C/W CURRENT TRANSFORMER & 1-400A.-2P MAIN C.B. 3-150A.-2P FEEDER C.B. 2-100A.-2P FEEDER C.B. 1-100A.-2P SPARE C.B.
- HYDRO METER AND W.P. ENCLOSURE
- JRS. 400A. 120/240V 1Ø 3W W.P. TAP BOX
- PANEL 'M' (MAIN FLOOR) SURFACE MOUNTED 225A. RATED
- PANEL 'G' GARAGE (APPARATUS AREA) RECESSED MOUNTED 225A. RATED
- 120V/24HR. TIME CLOCK WITH 3-ON-OFF SETTINGS
- OUTDOOR LIGHT CONTACTOR 2P-20A.-240V RATED; CONTROL VOLTAGE 120V (CCT. B.23)
- PANEL 'F' (FURNACE ROOM) SURFACE MOUNTED 225A. RATED
- PANEL 'B' (BASEMENT) SURFACE MOUNTED 225A. RATED
- PANEL 'P' (PARKING PANEL) SURFACE MOUNTED 225A. RASEB
- PARKING KWH METER
- PARKING LOT CONTACTOR 240V - MIN. 150A RATED - 2P CONTACTOR; CONTROL VOLTAGE 120V (CCT. B.29)
- PANEL 'A' (ADDITION) SURFACE MOUNTED 100A RATED

NOTES:
 - DISTRIBUTION PANELS SHALL BE WESTINGHOUSE, FEDERAL PIONEER, SIEMENS OR SQUARE D.
 - PANEL SHALL BE C/W BOLT-ON TYPE CIRCUIT BREAKER
 - PROVIDE FOUR 15A 1P SPARE BRANCH BREAKERS FOR ALL PANELS

1 120/240V/1PH.-400A. DISTRIBUTION SCHEMATIC
 E-6 NOT TO SCALE



2 CONTROL RM COUNTER PLAN
 E-6 SCALE: 1: 25



3 CONTROL RM COUNTER ELEVATION
 E-6 SCALE: 1: 25

- NOTES:
- MOUNT LIGHT SWITCHES a,b,c,d. ON WALL ABOVE COUNTER CONTROLLING APPARATUS ROOM LIGHTS.
 - 4 WAY SWITCH FOR DORMITORY LIGHTS AND 120V PILOT LIGHT TO INDICATE DORM LIGHTS 'ON'.
 - REMOTE OVERHEAD DOORS CONTROL BUTTON, 'OPEN' DOOR ONLY.
 - MANUAL OVERRIDE BYPASS LIGHT SWITCHES CONTROLLING OUTDOOR LIGHTS CCT. B.23 & B.25.
 - RUN 19mm Ø CONDUIT FROM M.T.S. BACKBOARD TO VOID SPACE CONTROL CENTRE COUNTER (FOR ALARM & TELEPHONE LINE TO PUBLIC SAFETY BUILDING) SEE M.T.S. CONDUIT SCHEMATIC.
 - RUN 25mm Ø CONDUIT FROM VOID SPACE UNDER CONTROL CENTRE COUNTER TO TOP OF HOSE TOWER C/W PULL BOXES FOR RADIO ANTENNA CABLE. (TERMINATE CONDUIT IN ATTIC SPACE).
 - RUN 25mm Ø CONDUIT FROM VOID SPACE TO M.T.S. BACKBOARD FOR SPEAKER OUTLETS.
 - RUN 19mm Ø CONDUIT FROM VOID SPACE TO M.T.S. BACKBOARD FOR TELEPHONE LINE 17.
 - PROVIDE LAMACOID LABELS TO ALL ELECTRICAL COVER PLATES AS PER THE FOLLOWING:
 O/H DOOR #1 EXTILITE NORTH
 O/H DOOR #2 EXTILITE SOUTH
 O/H DOOR #3 DORM LITE
 - PROVIDE 7 ISOLATED GROUND RECEPTACLES FOR CIRCUITS IN COUNTER.
 - RUN 19mm Ø CONDUIT FROM OUTLET BOX IN WALL FOR TRAFFIC SIGNAL SWITCH TO JUNCTION PULL BOX IN BASEMENT. PROVIDE S.S. BLANK COVER PLATE.
 - RUN 25mm Ø CONDUIT FROM VOID SPACE UNDER CONTROL CENTRE COUNTER TO CENTER OF BACKBOARD (FOR FUTURE).
 - DIMMING LIGHT SWITCH FOR 2 TYPE P LIGHT FIXTURES

No.	REVISION/DESCRIPTION	BY	DATE
0	ISSUED FOR CONSTRUCTION	AP	APR 13 2015

SEAL

DRAWN	B.K.	CHECKED	DESIGNED	APPROVED
DATE	MAY 1987	USER	APPROVAL	

THE CITY OF WINNIPEG
 PLANNING, PROPERTY AND
 DEVELOPMENT DEPARTMENT
 MUNICIPAL ACCOMMODATIONS DIVISION
 3-65 GARRY STREET, R3C 4K4

PROJECT
 WINNIPEG FIRE PARAMEDIC SERVICES
 ADDITIONAL APPARATUS ROOM BAYS

603 REDWOOD AVENUE	SHEET TITLE	ELECTRICAL DETAILS AND SCHEDULES
SCALE	PROJECT No:	SHEET No:
AS SHOWN	2013-0171-02	E4

UPDATE OF
 EXISTING DRAWING
 96028 - E6.
 MOVED TO
 NEW TITLE BLOCK

KGS GROUP
 CONSULTING ENGINEERS
 APEGM
 Certificate of Authorization
 KGS Group
 No. 245