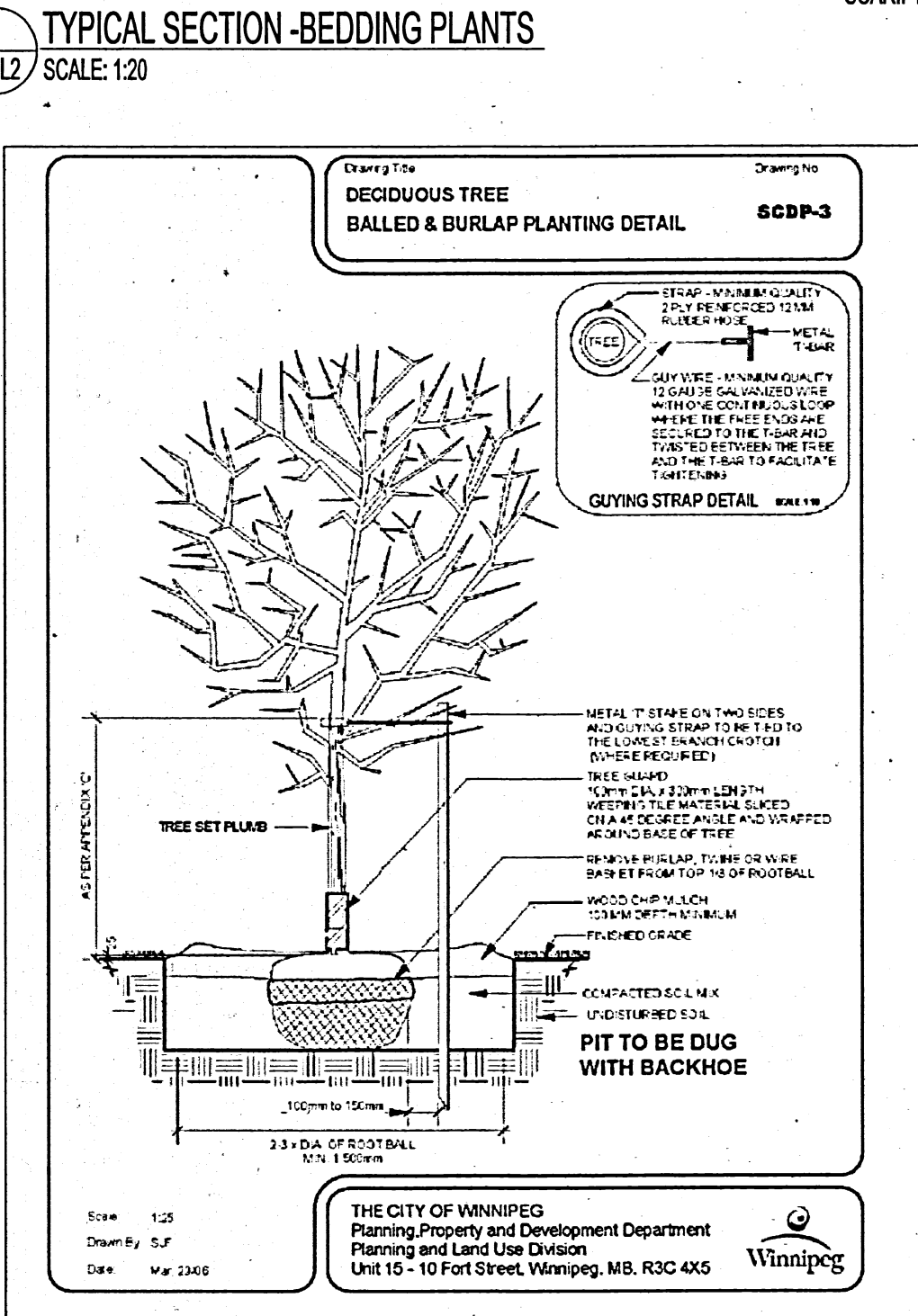
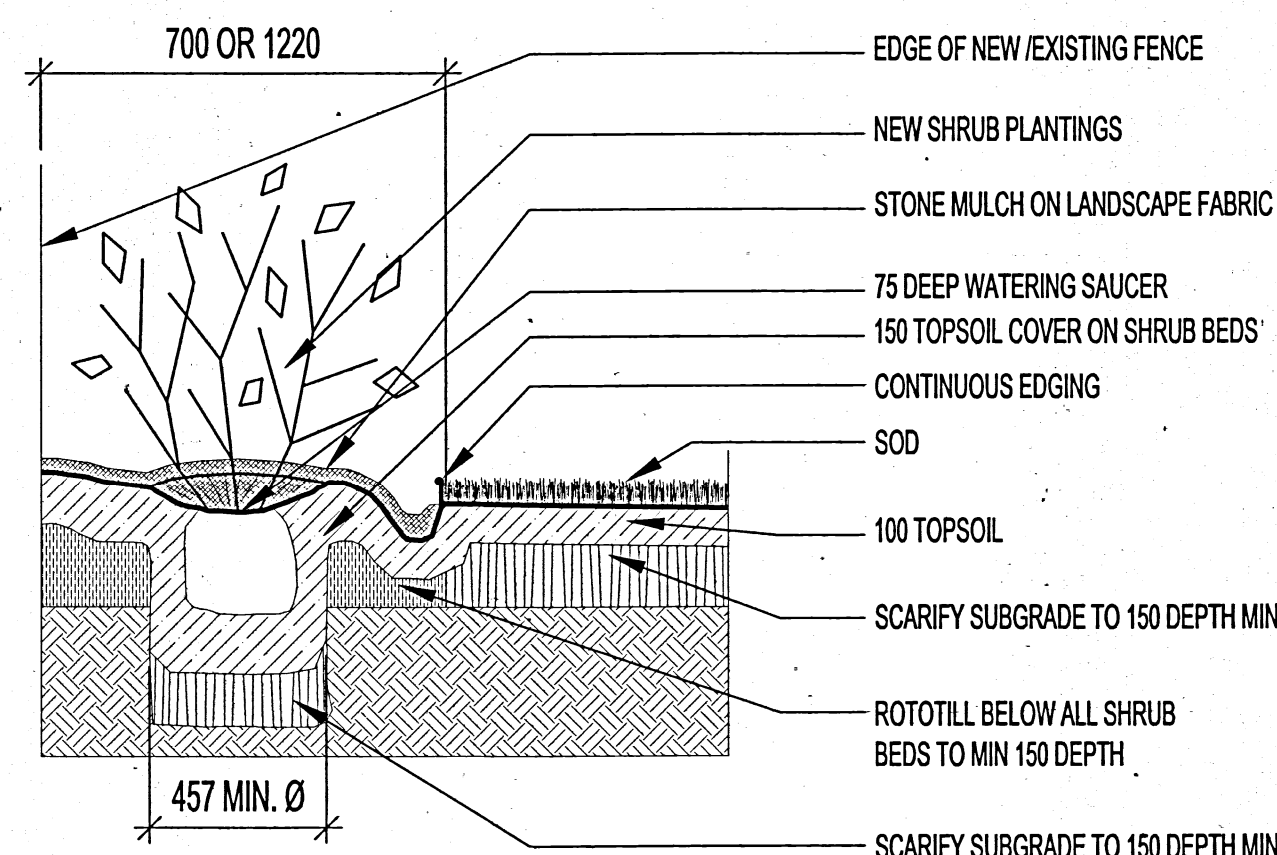
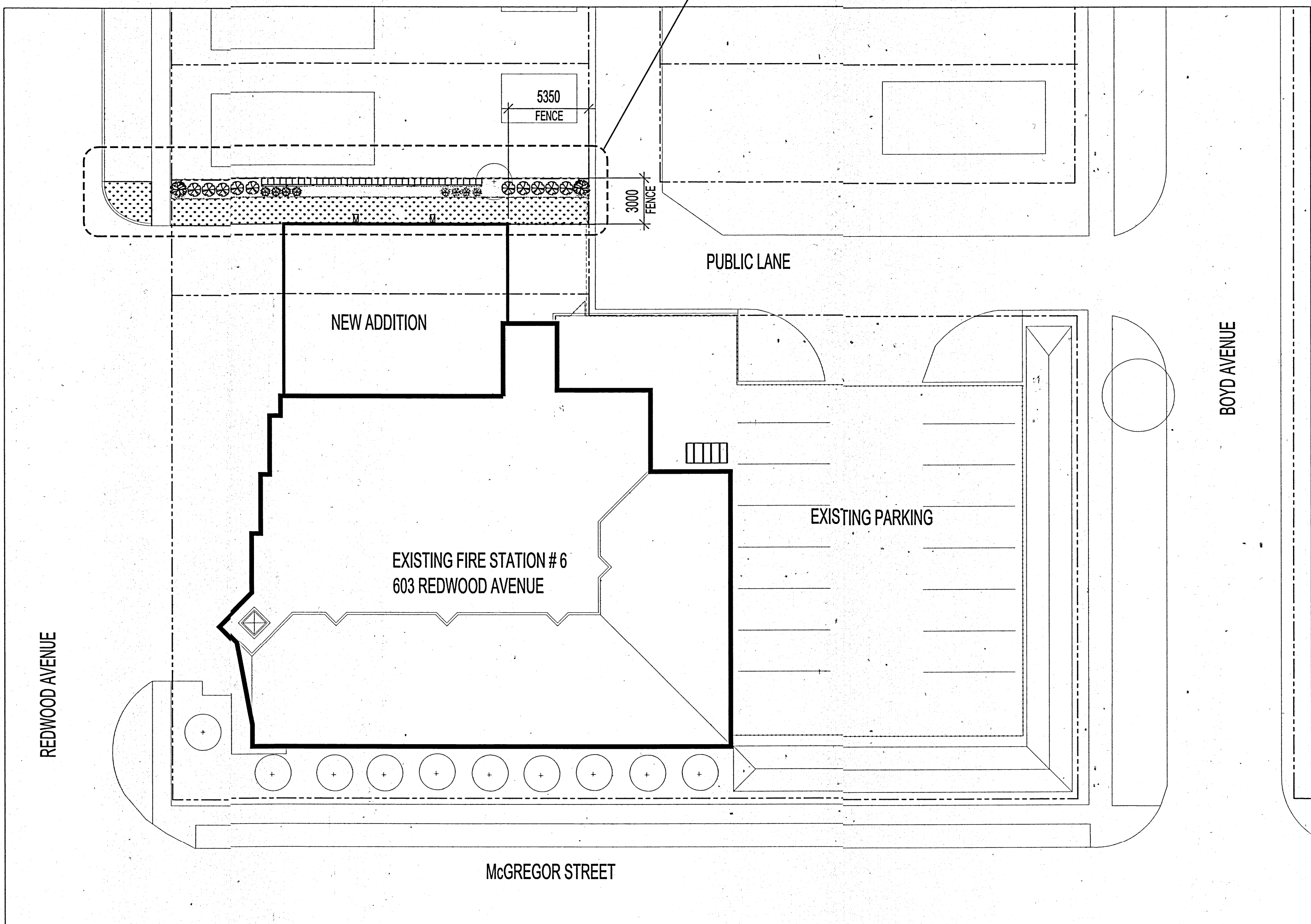


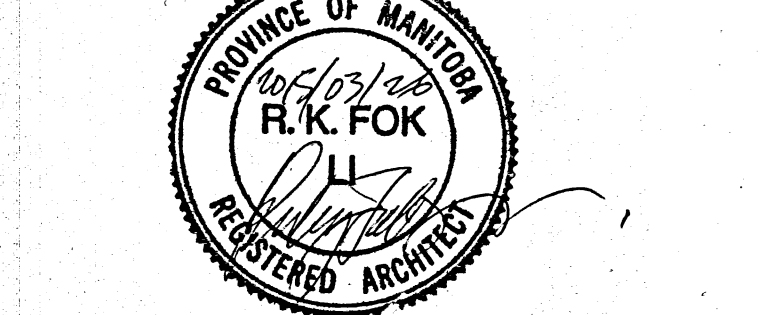
**LEGEND**

- NEW SODDING TO FOLLOW THE CITY OF WPG. STANDARD CONSTRUCTION SPECIFICATIONS FOR SODDING SD-243 & CW 3510 R8.
- (2) - 65mm CALIPER, JAPANESE LILAC C/W PLANTING BED PREPARATION & STONE MULCH & LANDSCAPING FABRIC AS DIMENSIONED.
- (8) - 8 L (2 GAL.) ANNABELLE HYDRANGEA (762mm @ MATURE HEIGHT) C/W PLANTING BED PREPARATION & STONE MULCH & LANDSCAPING FABRIC AS DIMENSIONED.
- (8) - 10 GAL. FERNLIF CARIGANA C/W PLANTING BED PREPARATION & STONE MULCH & LANDSCAPING FABRIC AS DIMENSIONED.
- PEBBLESTONE PAVERS - (APPROX. 40-44) 400 x 400 BARKMAN PEBBLESTONE SQUARE DYNASTY SLAB
- 1830 HIGH CEDAR FENCE W/ 100 x 100 POSTS.
- STONE MULCH & LANDSCAPING FABRIC AS DIMENSIONED
- CONTINUOUS EDGING AS SPECIFIED ON LANDSCAPING SPECS.



ISSUED FOR CONSTRUCTION MMK 2015.03.26

| No. | REVISION/DESCRIPTION | BY | DATE |
|-----|----------------------|----|------|
|     |                      |    |      |



| DRAWN            | CHECKED | DESIGNED | APPROVED |
|------------------|---------|----------|----------|
| MMK              |         |          |          |
| DATE: 2015.02.09 |         |          |          |

THE CITY OF WINNIPEG  
 PLANNING, PROPERTY AND  
 DEVELOPMENT DEPARTMENT  
 MUNICIPAL ACCOMMODATIONS DIVISION  
 3-65 GARRY STREET, R3C 4K4

PROJECT  
 WINNIPEG FIRE PARAMEDIC SERVICES  
 ADDITIONAL APPARATUS ROOM BAYS

603 REDWOOD AVENUE  
 SHEET TITLE

LANDSCAPING - RENOVATION

| SCALE    | PROJECT No: | SHEET No: |
|----------|-------------|-----------|
| AS SHOWN | 2013-171-02 | L2        |