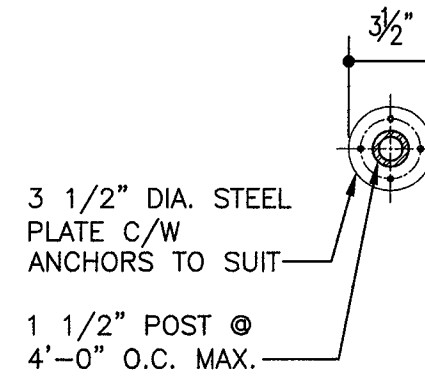


ALL HANDRAILS & GUARD RAILS TO BE COMPLETE WITH PAINT FINISH - PROVIDE ALTERNATE PRICE TO COMPLETE RAILINGS WITH GALVANIZED FINISH IN LIEU OF PAINT

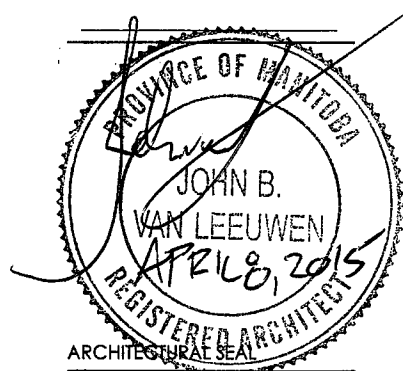
HANDRAILS SHALL BE DESIGNED & MANUFACTURED IN ACCORDANCE WITH NBC 4.1.5.14. SHOP DRAWINGS SHALL BE COMPLETE UNDER THE SEAL OF A LICENSED STRUCTURAL ENGINEER.



POST DETAIL

CITY OF WINNIPEG  
CENTRAL FREIGHT HOUSE  
WHEELCHAIR RAMP AND STAIR  
RETROFIT - DOOR 6  
WINNIPEG, MANITOBA

CLIENT REVIEW SIGNATURE:



ARCHITECTURAL SEAL

SHEET TITLE:  
SECTION DETAILS

PROJECT NO: 2014052  
DRAWN BY: RR  
CHECKED BY: JV  
SCALE: 1 1/2"=1'-0"  
ISSUED FOR: CONSTRUCTION  
ISSUE DATE: APRIL 8, 2015

AA-301 (6)

CD  
DATE PLOTTED  
4/8/15

1 SECTION  
AA-301 (6) 1 1/2"=1'-0"