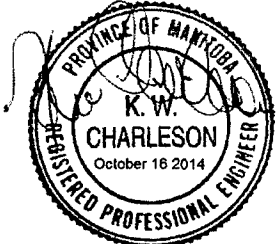


SECTION 1
SCALE: 1/2"=1'-0" S-03



APEGM
Certificate of Authorization
Charleson Engineering Ltd.
No. 50 Date: October 16 2014

GRADE BEAM SCHEDULE		
G.B.-1	8"x24"	3-20M T.& B. 10M STIRRUPS @ 18"O/C
G.B.-2	8"x50"	2-20M T.& B. 10M STIRRUPS @ 18"O/C 10M HOR.E.F. @ 1/3 PTS.
G.B.-3	8"x18"	2-15M T.& B. 10M STIRRUPS @ 18"O/C
G.B.-4	8"x50/24	2-20M T.& B. 10M STIRRUPS @ 18"O/C 10M HOR.E.F. @ 1/3 PTS.
G.B.-5	8"x24/18	2-20M T.& B. 10M STIRRUPS @ 18"O/C
G.B.-6	8"x32/16	2-15M T.& B. 10M STIRRUPS @ 18"O/C

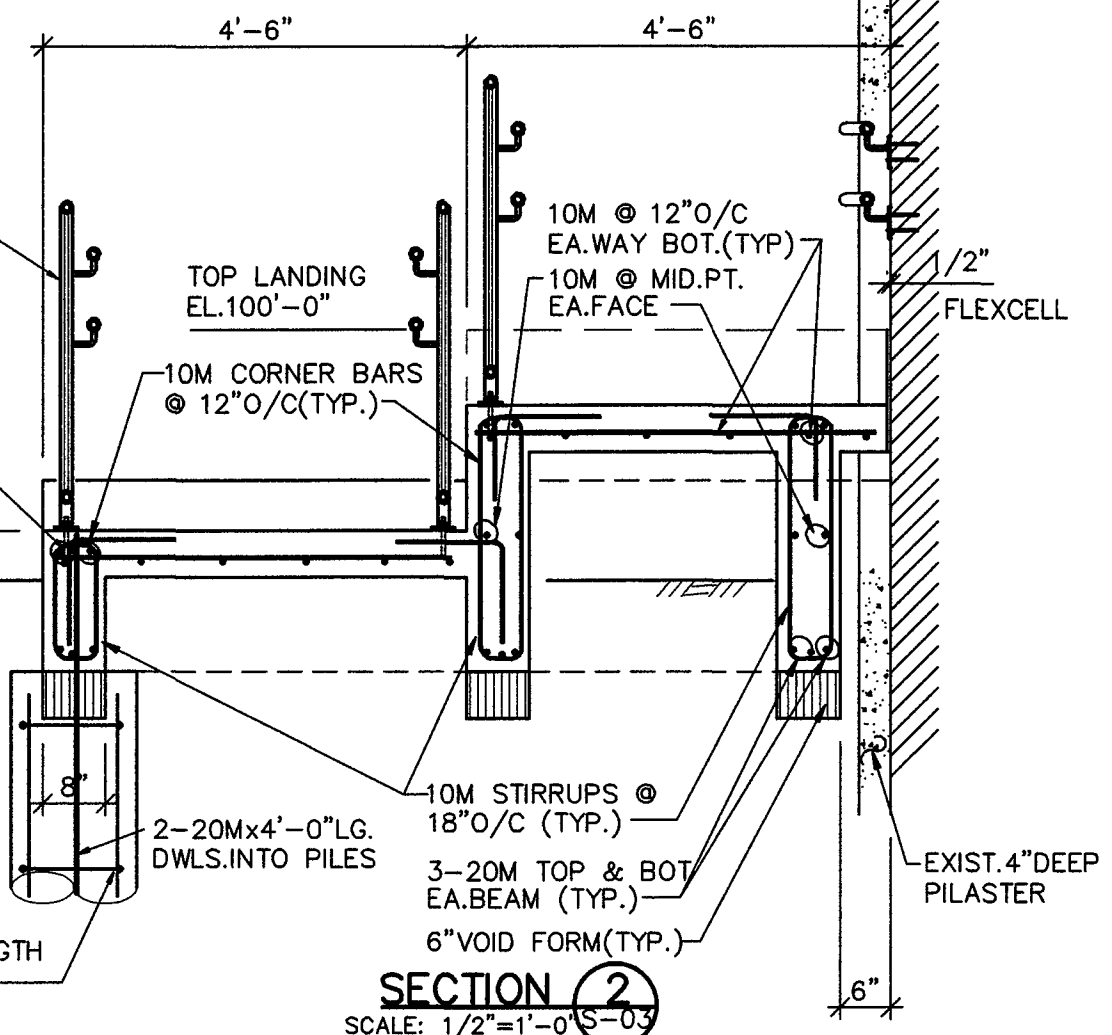
POSTS @ 4'-0"O/C MAX
REFER TO ARCH.DWGS. FOR
CONFIG. OF RAILING &
MEMBER SIZES

2-20M T.& B.
MID LANDING
EL.98'-4 3/4"

LOW LANDING
EL.97'-4"

GRADE TO
MATCH LOW
LANDING

PILE-1
16" Ø CONC.PILE x 25'-0" DEEP
R/W 4-10M VERT.FULL LENGTH
& 10M TIES @ 24"O/C



SECTION 2
SCALE: 1/2"=1'-0" S-03

SHEET: **S-04**

DESIGNED BY: **K.C.**
DRAWN BY: **LDM**

SCALE: **AS SHOWN**
DATE: **SEP., 2014**

**CITY OF WINNIPEG
CENTRAL FREIGHT HOUSE
WHEELCHAIR RAMP & STAIRS**

TYPICAL SECTIONS

CHARLESON ENGINEERING LTD.
101-1200 Pembina Hwy.
WINNIPEG, MANITOBA
TEL. (204) 895-1474