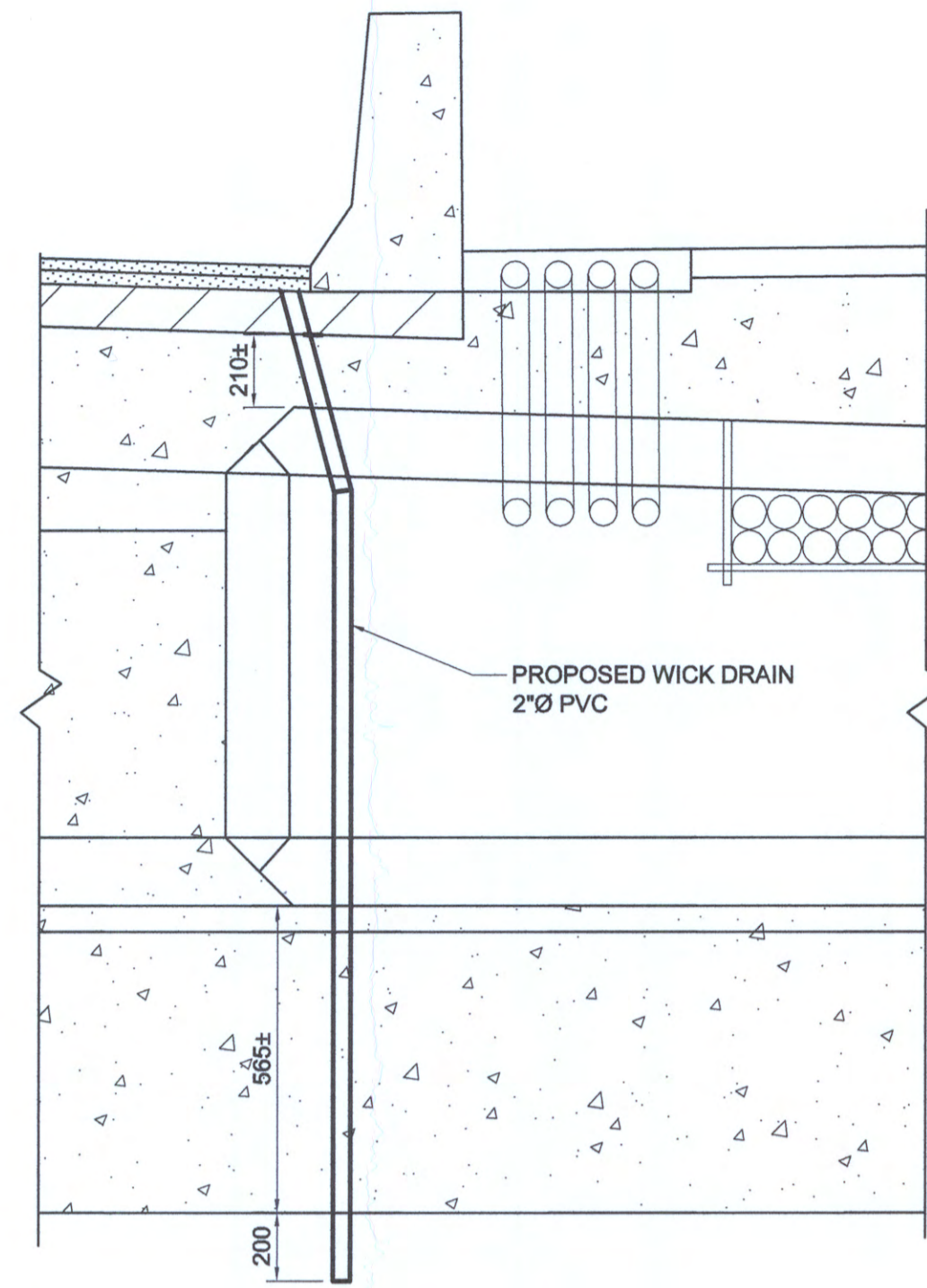
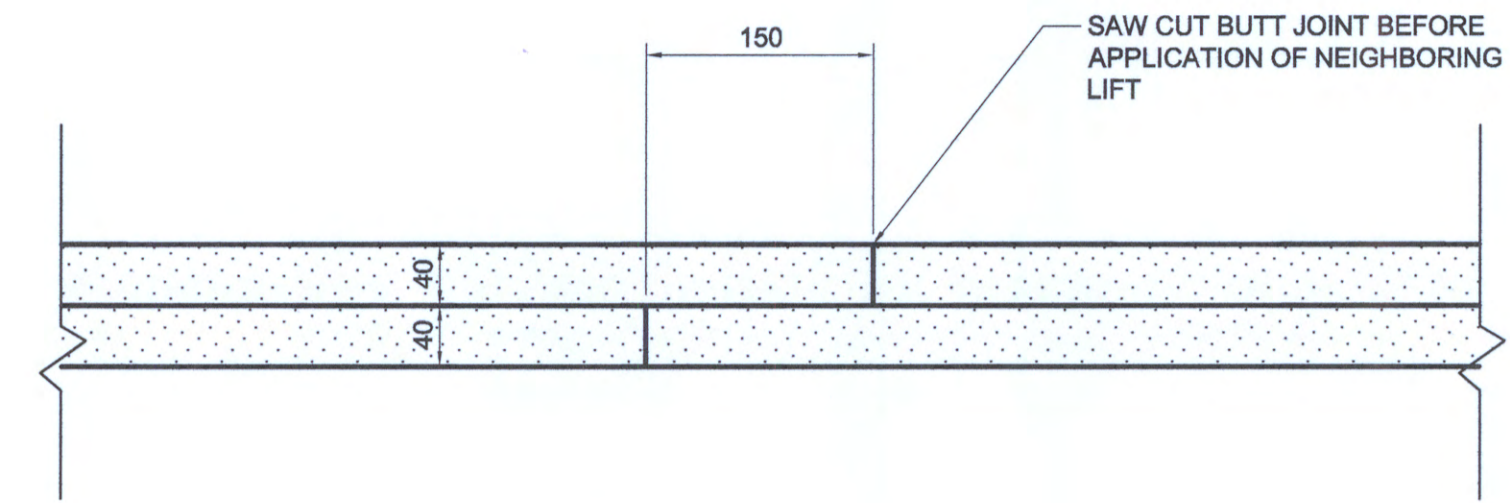


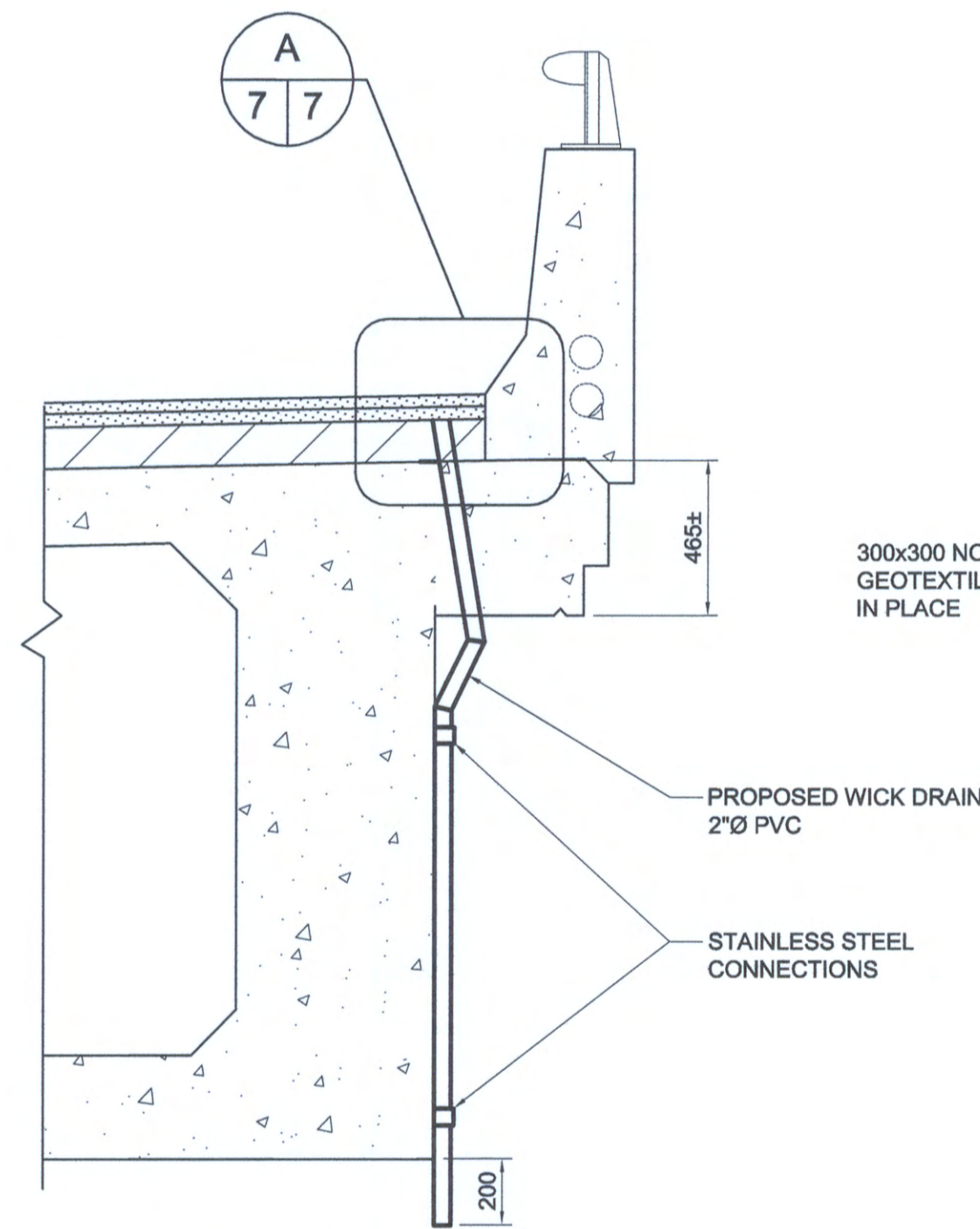
SOUTH EAST DRAIN PIPE
SCALE 1:20



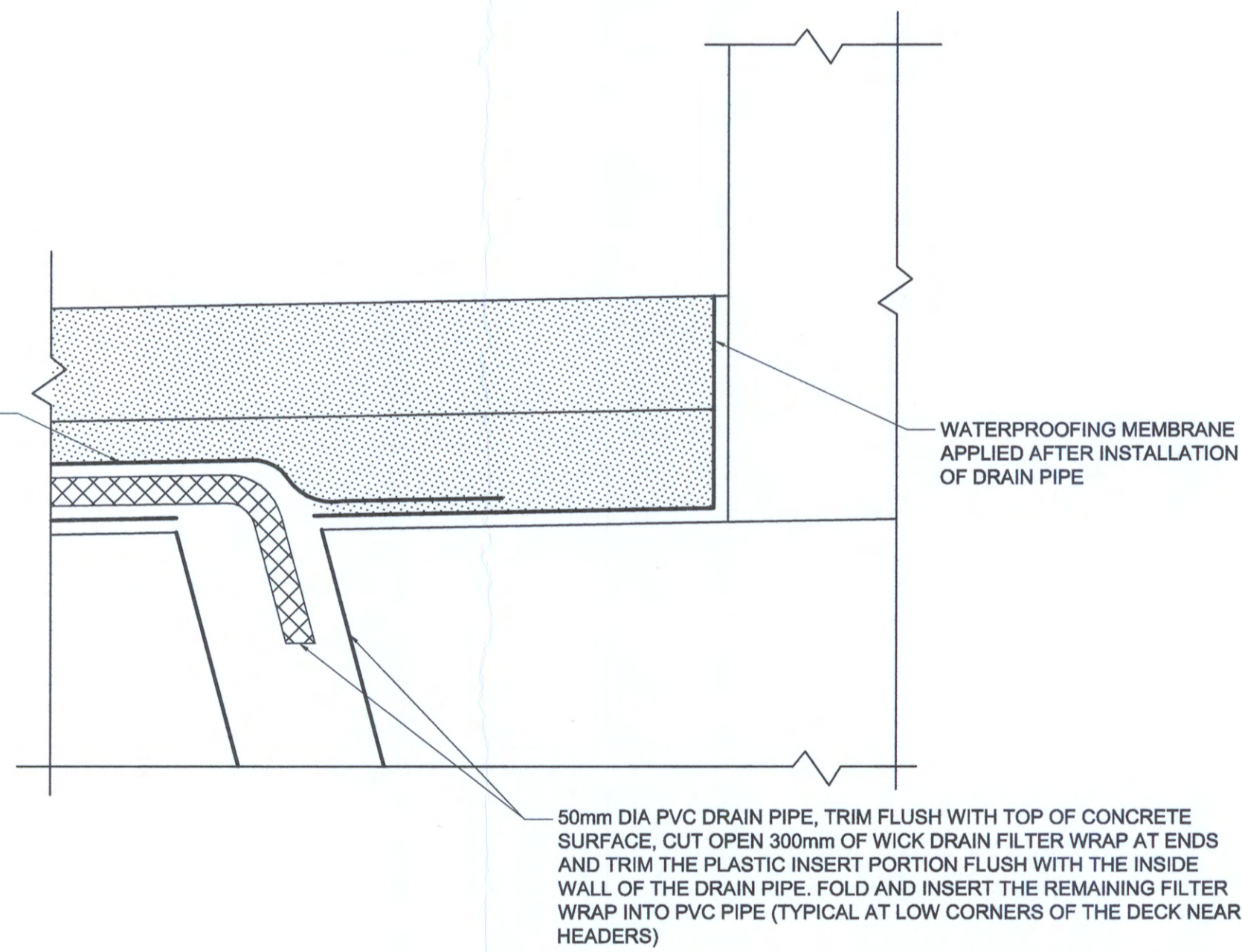
NORTH WEST DRAIN PIPE
SCALE 1:20



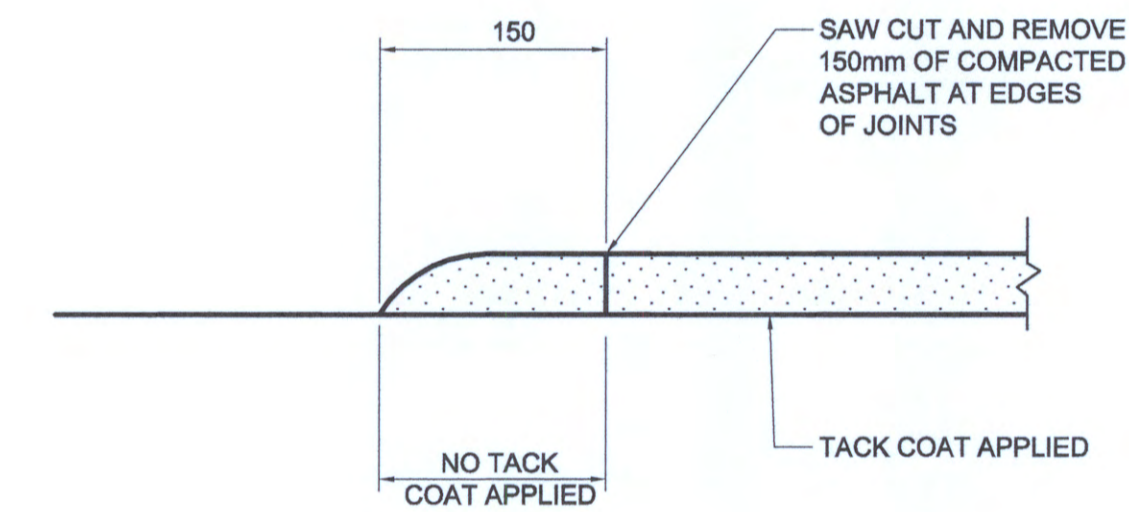
TYPICAL ASPHALT LONGITUDINAL JOINT
SCALE 1:5



TYPICAL DRAIN PIPE IN CANTILEVERED DECK
SCALE 1:20



TYPICAL INSTALLATION DETAIL DRAIN PIPE
SCALE NTS



TYPICAL APPLICATION OF ASPHALT TACK COAT
SCALE 1:5

- WICK DRAIN CONSTRUCTION NOTES:**
- DIMENSIONS FOR CORING OF DRAIN PIPE ARE ESTIMATED BASED ON ORIGINAL BRIDGE DESIGN DRAWINGS.
 - CONTRACTOR SHALL VERIFY ALL FIELD DIMENSIONS PRIOR TO BEGINNING WORK. ANY VARIATION SHALL BE BROUGHT TO THE ATTENTION OF THE CONTRACT ADMINISTRATOR.
- ASPHALT JOINT CONSTRUCTION NOTES:**
- TWO 40MM LIFTS OF ASPHALT ARE TO BE INSTALLED BETWEEN HEADERS AS SHOWN ON DRAWING SHEET 01.
 - LOWER LIFT MUST BE PLACED AND COMPACTED BEFORE SECOND LIFT IS INSTALLED.
 - IF COLD JOINT CANNOT BE AVOIDED, SAW CUT AND REMOVE PREVIOUSLY LAID LANE BY AT LEAST 150MM AND TACK VERTICAL FACE WITH THIN LAYER OF HOT ASPHALT.
 - OFFSET JOINTS IN SUCCEEDING LIFTS BY:
TRANSVERSE: 600MM
LONGITUDINAL: 150MM

AECOM
Certificate of Authorization
AECOM Canada Ltd.
No. 4671 Date: 15/05/06

METRIC
WHOLE NUMBERS INDICATE MILLIMETRES
DECIMALIZED NUMBERS INDICATE METRES

P:\MO333862\1000-WORK\1010-CAD\1010-SHEETS\CAD\CT-07.DWG

150 mm W.M.	150 mm W.M.	HYDRO	PROFILE	LOCATION APPROVED	B.M. ELEV.
◇	+	M.T.S.	— — — — —	UNDERGROUND STRUCTURES	
⊙	⊙	CONCRETE	□		
300mm L.D.S.	300mm L.D.S.	ASPHALT	◇		
250mm W.W.S.	250mm W.W.S.	PROPERTY LINE	◇		
○	⊙	SURVEY BAR	○		
□	⊙	ELEVATION			
▽	⊙	TREE			
— — — — —	— — — — —	SIDEWALK RAMP			
— — — — —	— — — — —	CONCRETE SIDEWALK			
— — — — —	— — — — —	FENCE			
EXISTING	PROPOSED	EXISTING	EXISTING	PROPOSED	EXISTING

NOTE:
LOCATION OF UNDERGROUND STRUCTURES AS SHOWN ARE BASED ON THE BEST INFORMATION AVAILABLE. BUT NO GUARANTEE IS GIVEN THAT THE GIVEN LOCATIONS ARE EXACT. CONFIRMATION OF EXISTENCE AND EXACT LOCATION OF ALL SERVICES MUST BE OBTAINED FROM THE INDIVIDUAL UTILITIES BEFORE PROCEEDING WITH CONSTRUCTION.

NO.	REVISIONS	DATE	BY
1	ISSUED FOR TENDER	15/05/06	KC

AECOM

DESIGNED BY: SS
CHECKED BY: MM

DRAWN BY: SS
APPROVED BY: EBL

HOR. SCALE: N.T.S.
VERTICAL: N.T.S.

15/03/05
2015/03/05

ENGINEER'S SEAL
PROVINCE OF MANITOBA
LOEWEN
Member
8325
May 6, 2015
REGISTERED PROFESSIONAL ENGINEER

THE CITY OF WINNIPEG
PUBLIC WORKS DEPARTMENT
ENGINEERING DIVISION

NORWOOD NORTHBOUND BRIDGE OVER THE RED RIVER - 2015 DECK REHABILITATION

MISCELLANEOUS DETAILS - SHEET 2

CITY DRAWING NUMBER: B103-15-08
SHEET 07 OF 10

CONSULTANT DRAWING NO. CT-07