

**FOUNDATION PLAN**

1:30

**CONC. PILE SCHEDULE**

P-1: 508# x 7600 DP, C.I.P. CONC. PILE  
R/W 7-20M VERT. FULL LENGTH  
W/ 10M RINGS @ 600 O/C  
TOP 2 RINGS @ 150 O/C  
PROVIDE GREASED DOUBLE 10 MIL POLY WRAPPED SONOTUBE FIRST 2.4m BELOW GRADE

**STEEL COLUMN SCHEDULE**

C-1: W200x71

**STEEL BEAM SCHEDULE**

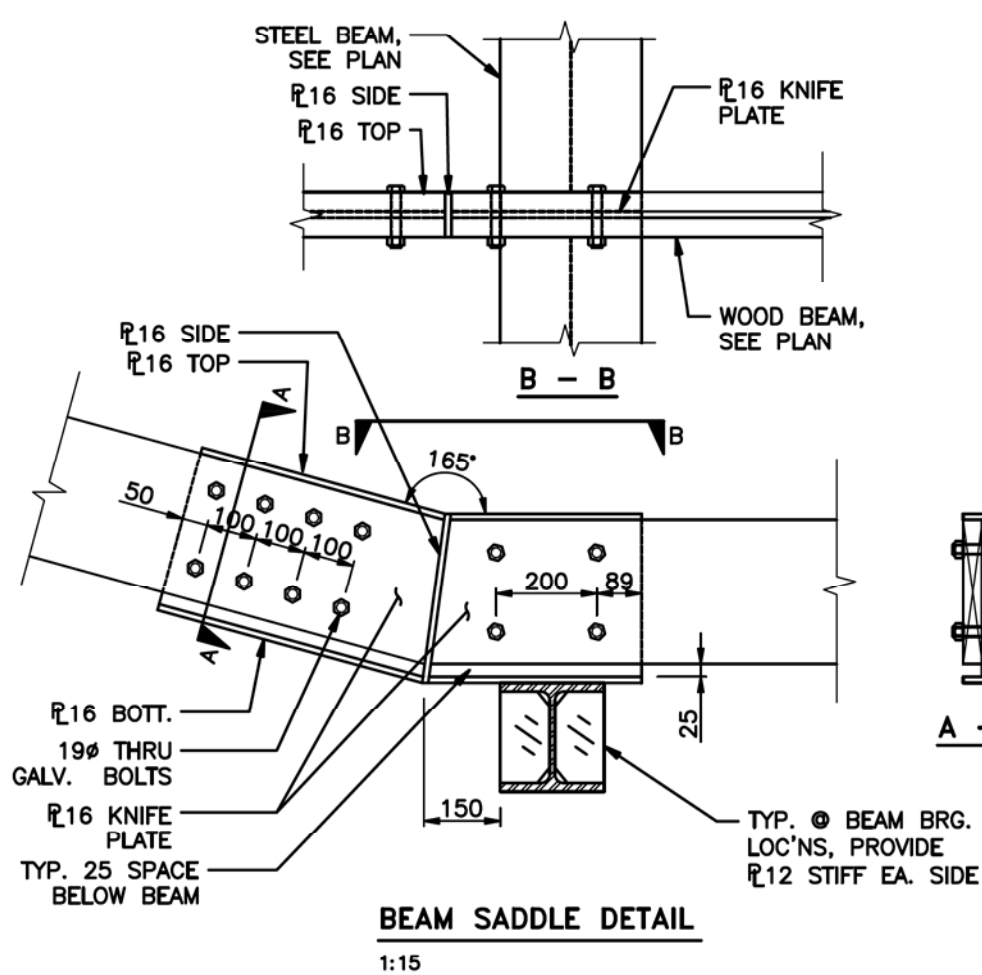
SB-1: W200x71

**WOOD BEAM SCHEDULE**

B-1: P.T. 2 PLY 38x286  
C/W SPACER R12x286x200 @ 1200 O/C  
& AT ALL B-1 TO B-1 CONNECTION LOC'NS  
SEE CONNECTION DETAILS

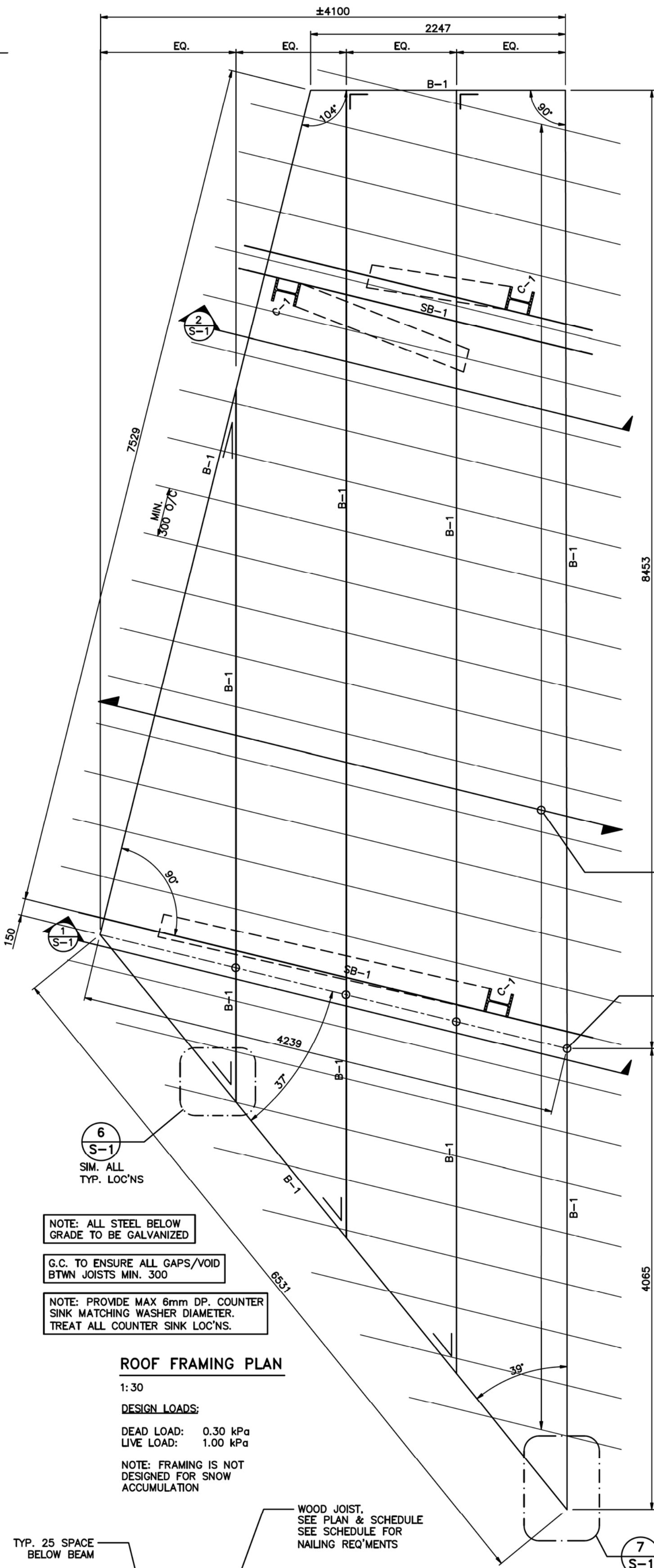
**WOOD JOIST SCHEDULE**

J-1: 38x140 D.FIR  
W/ MIN. 300 CLEAR BTWN  
C/W 2-4.8x64 ACQ RATED WOOD SCREWS  
PER BEAM PLY



**BEAM SADDLE DETAIL**

1:15



**ROOF FRAMING PLAN**

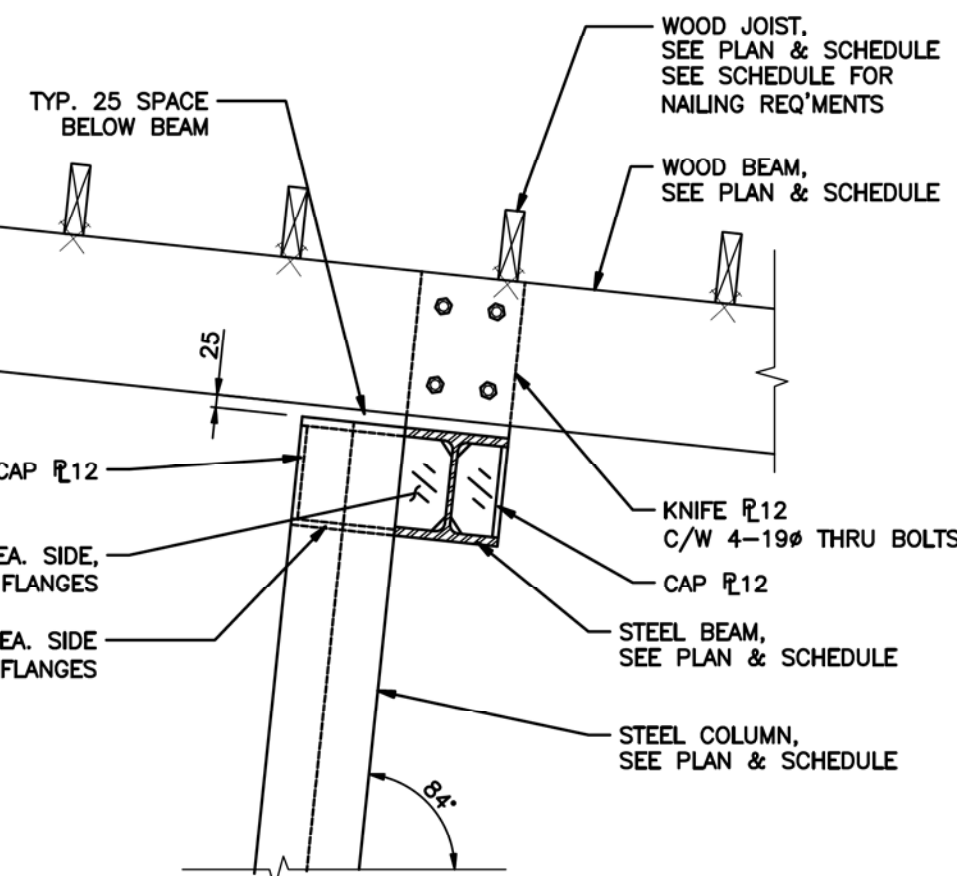
1:30

**DESIGN LOADS:**

DEAD LOAD: 0.30 kPa

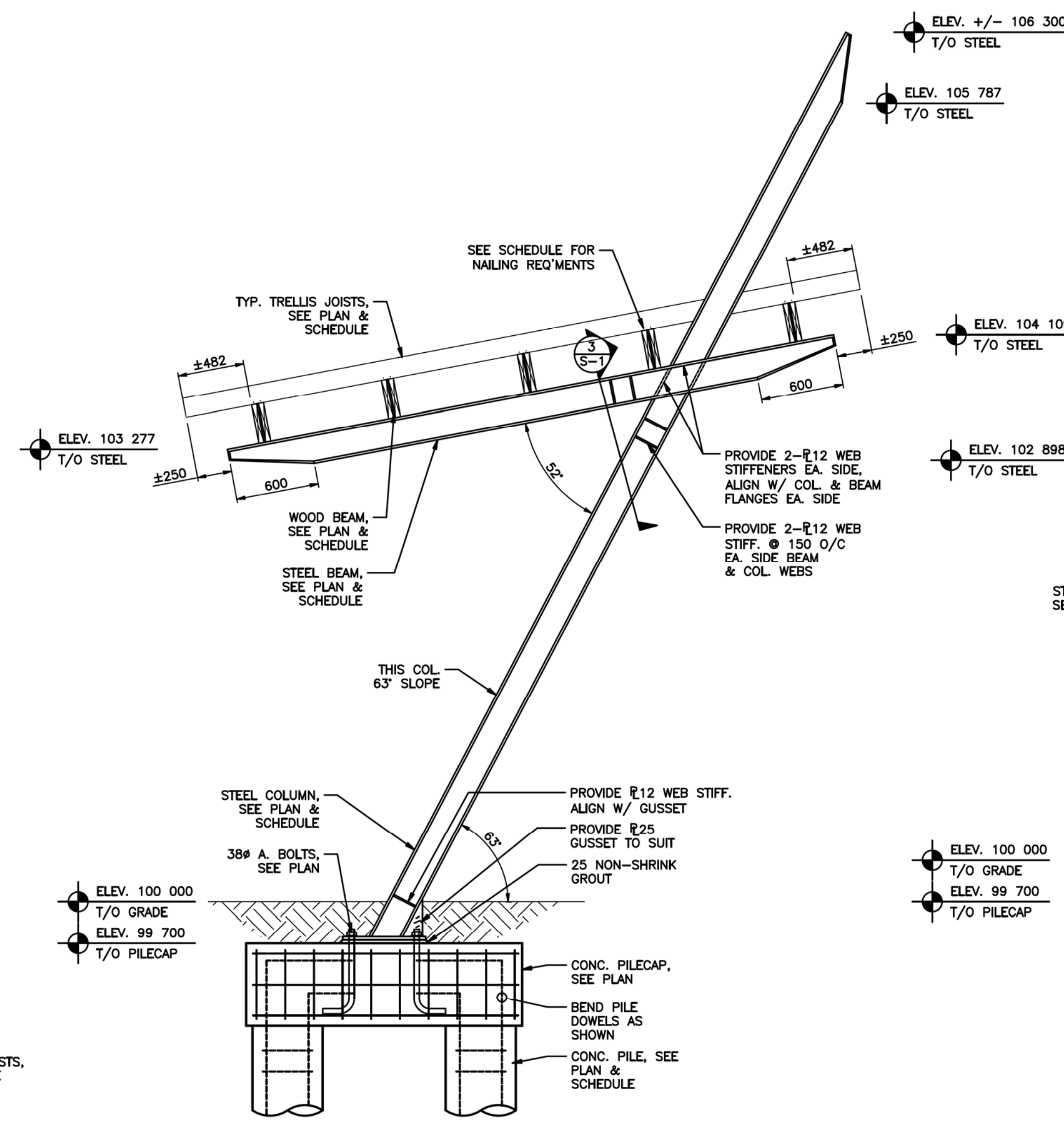
LIVE LOAD: 1.00 kPa

NOTE: FRAMING IS NOT DESIGNED FOR SNOW ACCUMULATION



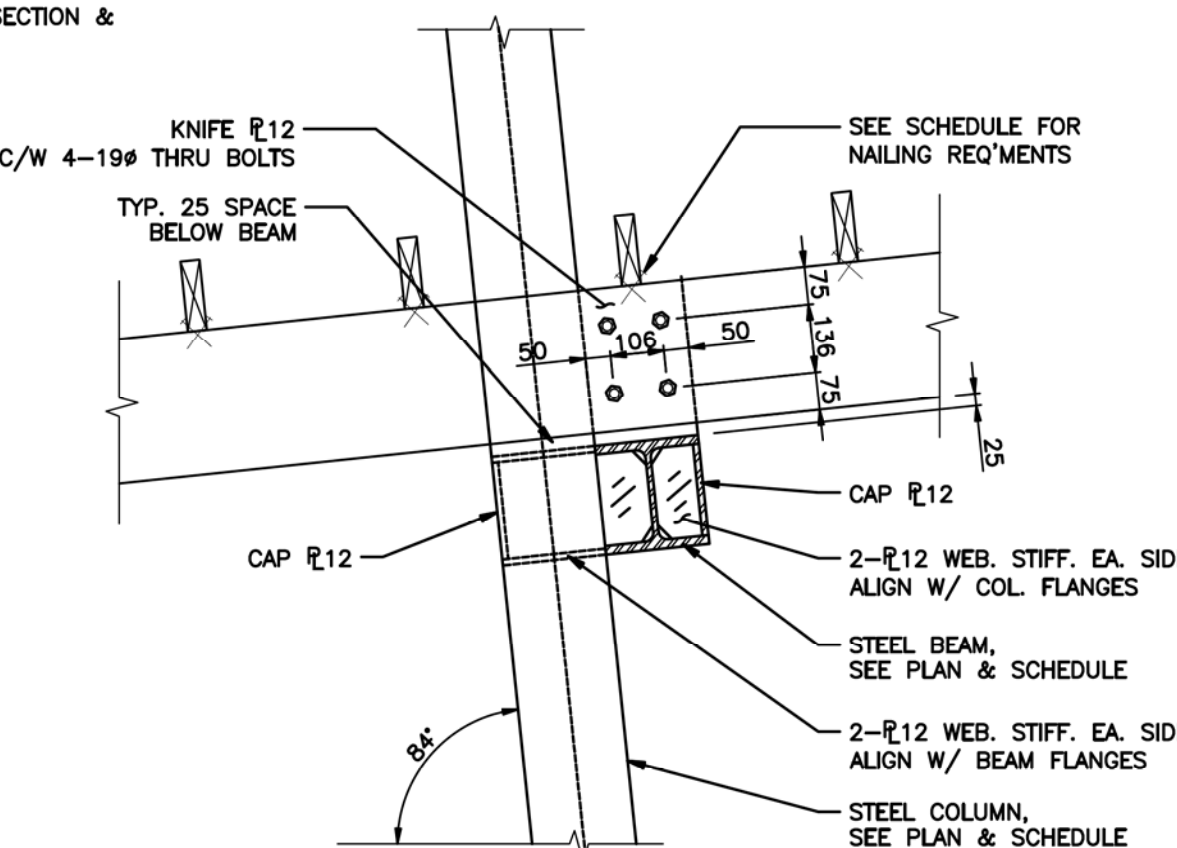
**SECTION 5**

1:15



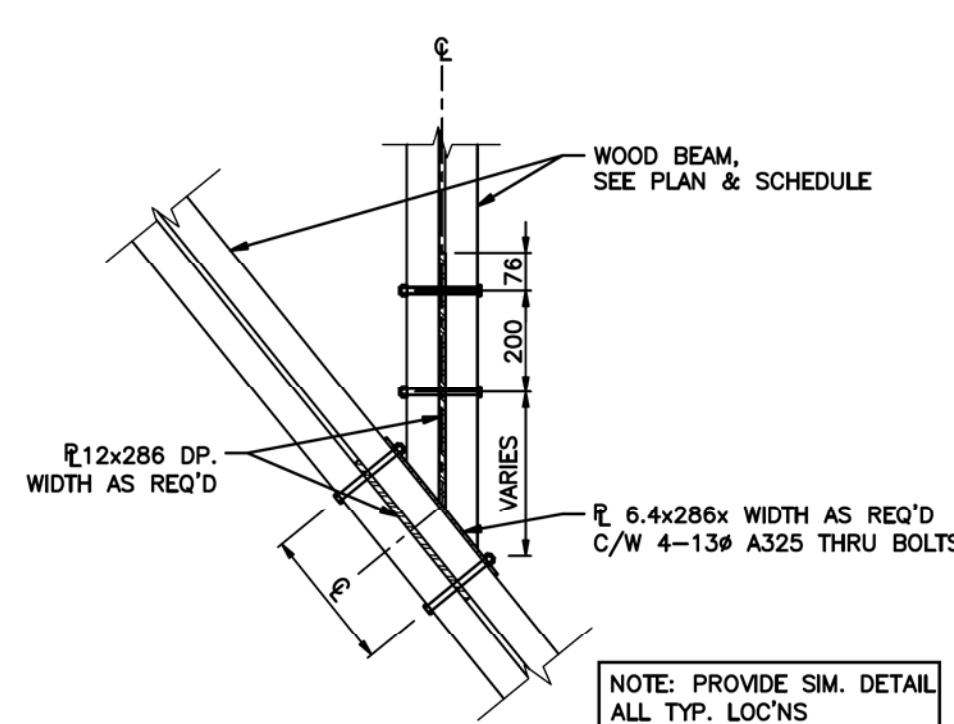
**SECTION 1**

1:30



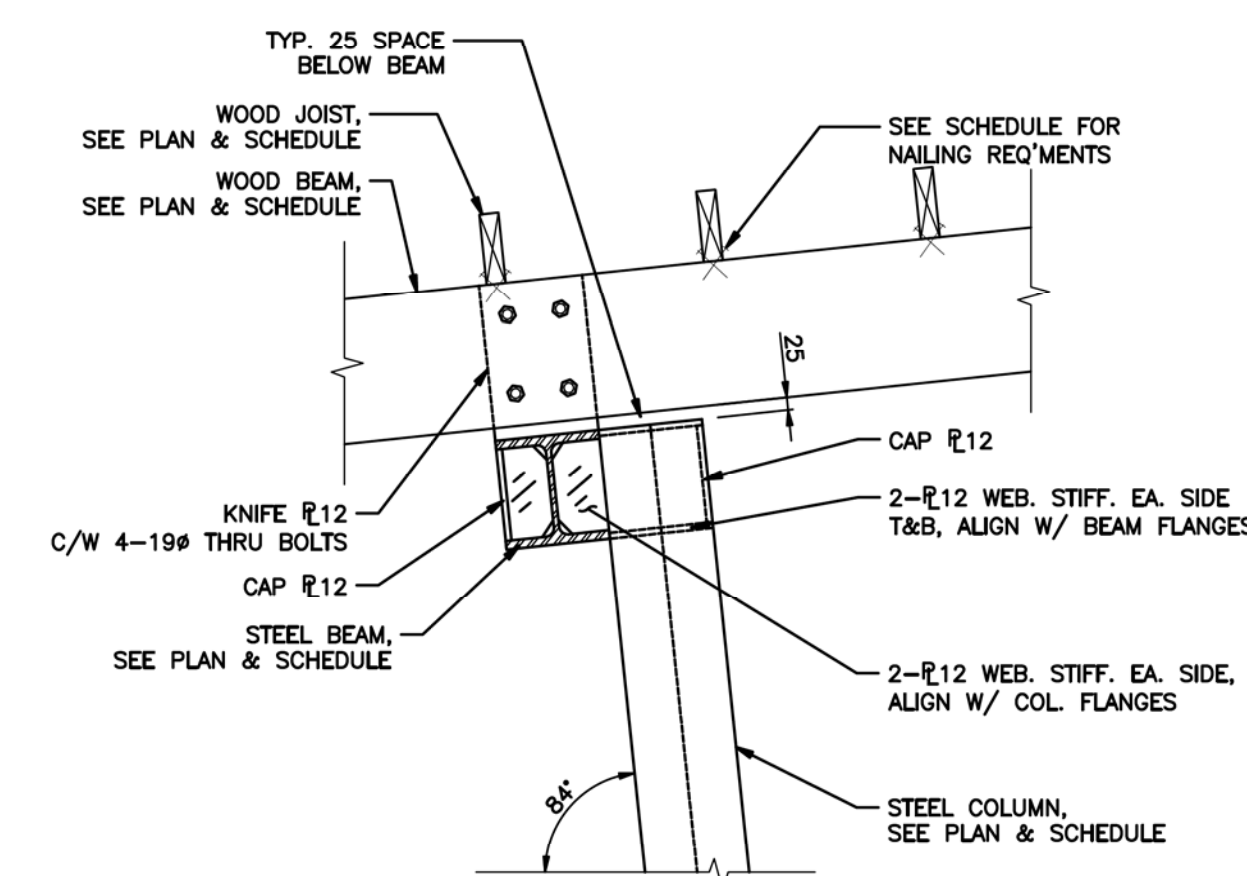
**SECTION 3**

1:15



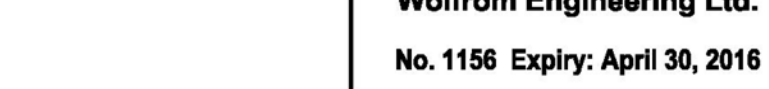
**SECTION 6**

1:15



**SECTION 4**

1:15



**SECTION 7**

1:15

No.	REVISION	DATE	BY
0	ISSUED FOR CONSTRUCTION	2015.05.20	JR

**WOLFROM ENGINEERING LTD**  
CONSULTING ENGINEERS  
3445 WARDLAW AVENUE  
WINNIPEG, CANADA R3L 0L5  
(204)452-0041 FAX: 284-8680  
E-Mail: info@wolffromeng.com



JOB TITLE  
**Assiniboine Forest Pond Overlook**

DRAWING TITLE  
**FRAMING PLAN, SECTIONS & TYPICAL DETAILS**

DRAWN BY	SCALE	DRAWING NO.
AVP	AS NOTED	S-1
FILE NO.	DATE	REVISION NO.
W14211	2014.09.15	0