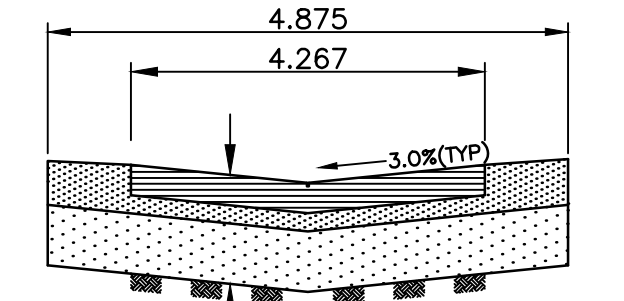


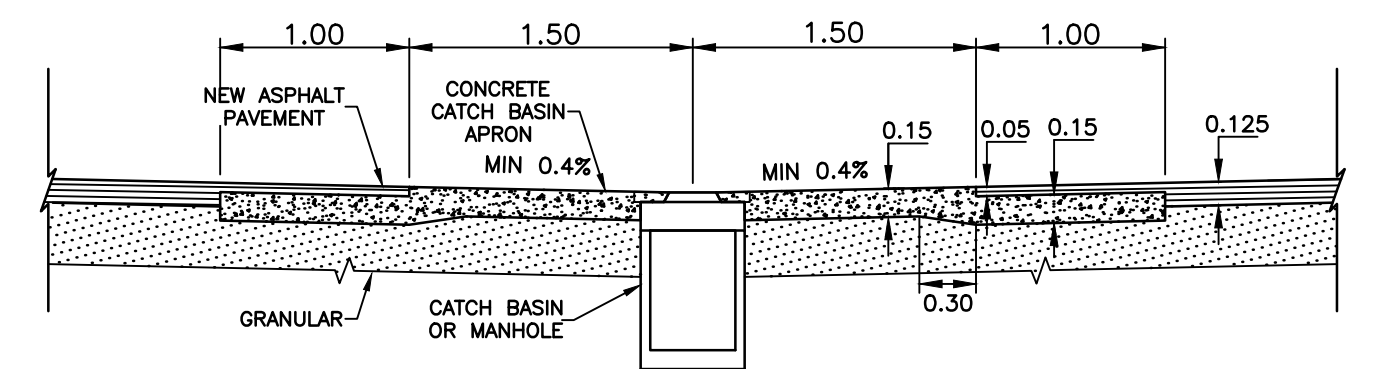
- NOTES:**
- ISOLATE EXISTING HYDRO POLES AS DIRECTED BY CONTRACT ADMINISTRATOR
  - RENEW EXISTING APPROACHES AS DIRECTED BY CONTRACT ADMINISTRATOR
  - ADDITIONAL EXCAVATION AND INSTALLATION OF SUBGRADE GEOGRID TO BE DETERMINED BY CONTRACT ADMINISTRATOR
  - ADJUSTMENTS TO PROPOSED CROSSFALL, WHERE REQUIRED, ARE TO BE DETERMINED BY CONTRACT ADMINISTRATOR TO SUIT EXISTING DRIVEWAYS, APPROACHES, ETC.
  - ALL LAND DRAINAGE SEWER EXCAVATION TO BE JETTED, FLOODED AND TAMPED AS PER CW2030-R7



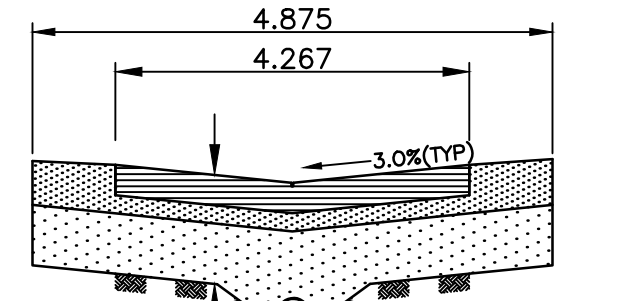
50mm TYPE 1A ASPHALT  
 75mm TYPE III ASPHALT  
 75mm BASE COURSE  
 300mm - 50mm SUBBASE  
 SUBGRADE GEOTEXTILE  
 SUBGRADE GEOGRID (AS REQUIRED)

TYPICAL ALLEY CROSS SECTION  
 N.T.S.

CHAINAGE ALONG C OF PUBLIC LANE  
**CLONARD AVENUE / STRANMILLIS AVENUE**

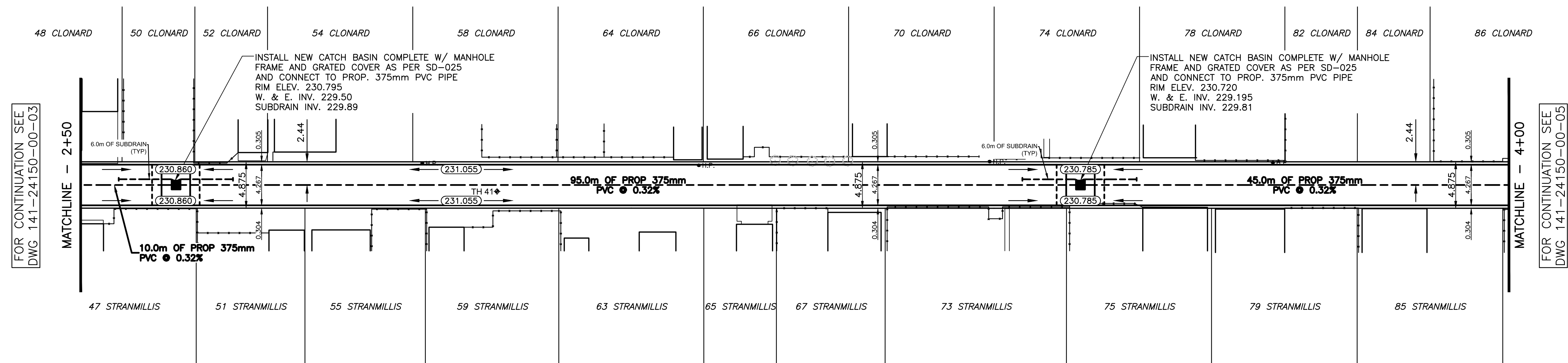


TYPICAL CATCHBASIN APRON DETAIL  
 N.T.S.



150mm PVC SUBDRAIN  
 50mm TYPE 1A ASPHALT  
 75mm TYPE III ASPHALT  
 75mm BASE COURSE  
 300mm - 50mm SUBBASE  
 SUBGRADE GEOTEXTILE  
 SUBGRADE GEOGRID (AS REQUIRED)

TYPICAL ALLEY CROSS SECTION WITH SUBDRAIN  
 N.T.S.



"Description of property limits, and existing and/or proposed features relative to these limits as shown on this drawing do not represent a Legal Survey. WSP makes no representation or guarantee that the property limit information is accurate. WSP accepts no responsibility for damages, if any, suffered by any third party as a result of decisions made or actions based on this drawing."

TEST HOLE DATUM  
 TH40 - N 5525135, E 635903  
 TH41 - N 5525220, E 636061  
 TH42 - N 5525312, E 636227

DESCRIPTION:  
 TABLE IN EAST CONCRETE FOUNDATION OF ST. VITAL CIVIC OFFICES, 604 ST. MARY'S ROAD, 0.3M NORTH OF NORTH SIDE OF FRONT ENTRANCE.

ROW WIDTH 4.875M  
 NEW LANE DESIGN WIDTH 4.267M

METRIC  
 WHOLE NUMBERS INDICATE MILLIMETRES  
 DECIMALIZED NUMBERS INDICATE METRES



EXISTING	LEGEND - PLAN	PROPOSED	EXISTING	LEGEND - PLAN	PROPOSED	EXISTING	LEGEND - PROFILE	PROPOSED
---	WATERMAIN	---	---	M.T.S.	---	---	WATERMAIN	---
⊕	HYDRANT	⊕	---	TRAFFIC SIGNAL	---	⊕	VALVE	⊕
⊗	VALVE	⊗	---	CONCRETE/ASPHALT	---	---	LAND DRAINAGE SEWER	---
⊔	CURB STOP	⊔	---	SIDEWALK	---	---	WASTE WATER SEWER	---
---	WASTE WATER SEWER	---	---	CURB RAMP	---	---	CENTERLINE	---
---	LAND DRAINAGE SEWER	---	---	PROPERTY LINE	---	---	SOUTH & EAST GUTTER	---
---	C.B. LEAD	---	---	ELEVATIONS	---	---	NORTH & WEST GUTTER	---
○	MANHOLE	○	---		---	---	TEST HOLE LOCATION	⊕TH
□	CATCH BASIN	□	---		---	---	S. & E. PAD/GARG.	---
---	GAS	---	---		---	---	N. & W. PAD/GARG.	---
---	HYDRO	---	---		---	---		---

LOCATION APPROVED UNDERGROUND STRUCTURES

SUPV. U/G STRUCTURES DATE COMMITTEE

NOTE:  
 LOCATION OF UNDERGROUND STRUCTURES AS SHOWN ARE BASED ON THE BEST INFORMATION AVAILABLE BUT NO GUARANTEE IS GIVEN THAT ALL EXISTING UTILITIES ARE SHOWN OR THAT THE GIVEN LOCATIONS ARE EXACT. CONFIRMATION OF EXISTENCE AND EXACT LOCATION OF ALL SERVICES MUST BE OBTAINED FROM THE INDIVIDUAL UTILITIES BEFORE PROCEEDING WITH CONSTRUCTION.

NO.	REVISIONS	DATE	BY
4	ISSUED FOR TENDER	05/08/15	A.B.
3	COW REVIEW AND APPROVAL	05/05/15	A.B.
2	W&W 70% DESIGN REVIEW	03/26/15	A.B.
1	70% DESIGN REVIEW	01/31/15	A.B.

**WSP**  
 1600 BUFFALO PLACE  
 WINNIPEG, MB, R3T 6B8  
 PHONE: 204-477-6650  
 FAX: 204-474-2864  
 WWW.WSPGROUP.COM

DESIGNED BY: A.B.  
 CHECKED BY: S.M.  
 DRAWN BY: A.B.  
 APPROVED BY: I.McK.  
 HOR. SCALE: 1:250  
 VERT. SCALE: 1:25  
 DATE: MAY 2015

ENGINEERS SEAL

CONSULTANT DRAWING NO.  
 141-24150-00-04

**THE CITY OF WINNIPEG**  
 PUBLIC WORKS DEPARTMENT

2015 LOCAL IMPROVEMENTS - CONTRACT 1  
 CLONARD AVENUE / STRANMILLIS AVENUE ALLEY  
 FROM STATION 2+50 TO STATION 4+00  
 ASPHALT PAVEMENT

CITY DRAWING NO.  
 SHEET 2 OF 3  
 426-2015