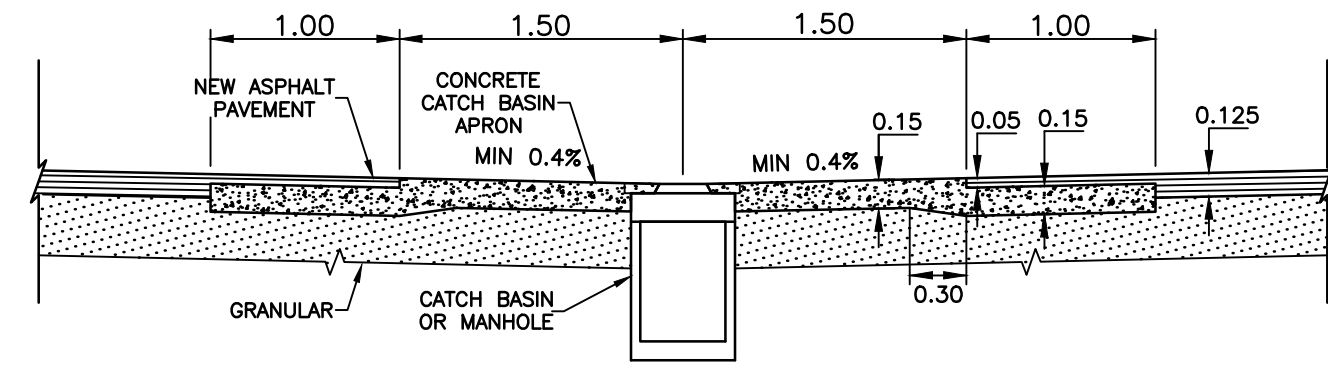


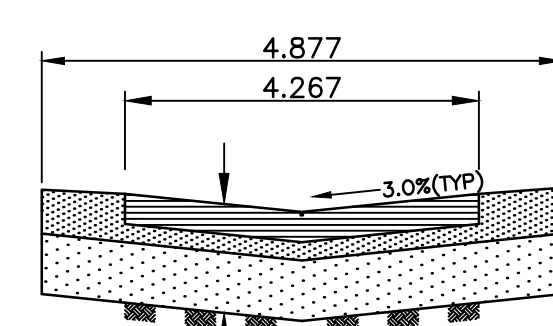
NOTES:

- ISOLATE EXISTING HYDRO POLES AS DIRECTED BY CONTRACT ADMINISTRATOR
- RENEW EXISTING APPROACHES AS DIRECTED BY CONTRACT ADMINISTRATOR
- ADDITIONAL EXCAVATION AND INSTALLATION OF SUBGRADE GEOGRID TO BE DETERMINED BY CONTRACT ADMINISTRATOR
- ADJUSTMENTS TO PROPOSED CROSSFALL, WHERE REQUIRED, ARE TO BE DETERMINED BY CONTRACT ADMINISTRATOR TO SUIT EXISTING DRIVEWAYS, APPROACHES, ETC.
- ALL LAND DRAINAGE SEWER EXCAVATION TO BE JETTED, FLOODED AND TAMPED AS PER CW2030-R7



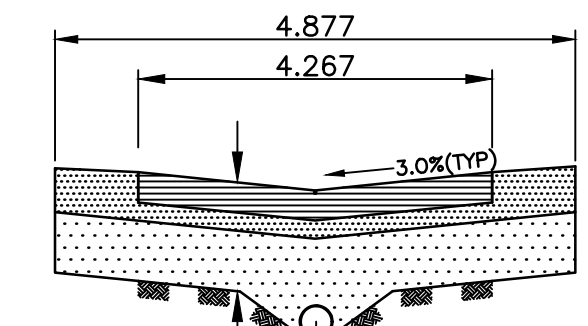
TYPICAL CATCHBASIN APRON DETAIL
N.T.S.

CHAINAGE ALONG CL OF PUBLIC LANE
FERNWOOD AVENUE / THORNDALE AVENUE



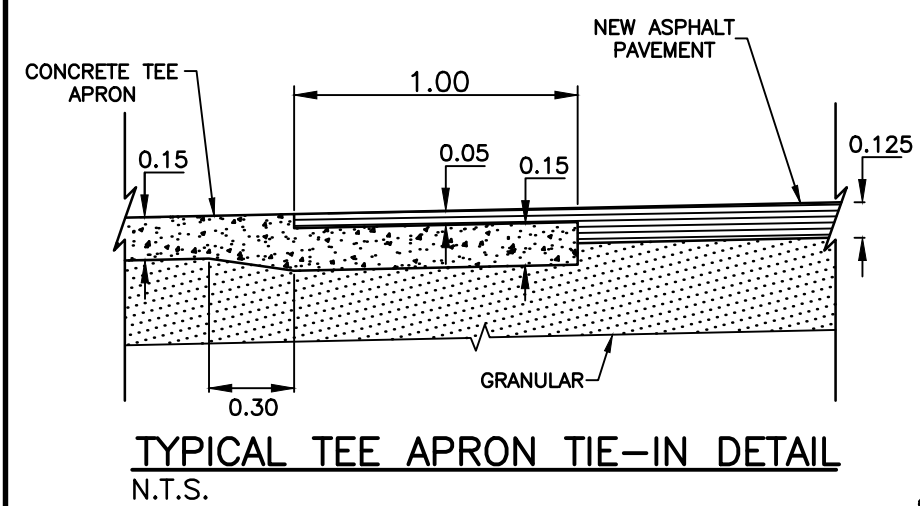
50mm TYPE 1A ASPHALT
75mm TYPE III ASPHALT
75mm BASE COURSE
300mm - 50mm SUBBASE
SUBGRADE GEOTEXTILE
SUBGRADE GEOGRID (AS REQUIRED)

TYPICAL ALLEY CROSS SECTION
N.T.S.

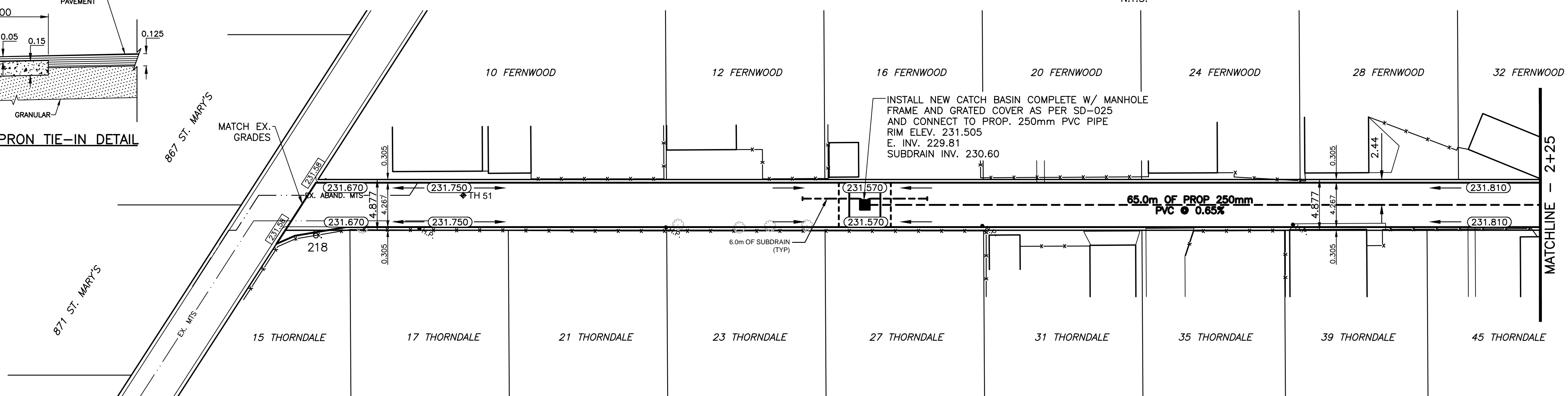


150mm PVC SUBDRAIN
50mm TYPE 1A ASPHALT
75mm TYPE III ASPHALT
75mm BASE COURSE
300mm - 50mm SUBBASE
SUBGRADE GEOTEXTILE
SUBGRADE GEOGRID (AS REQUIRED)

TYPICAL ALLEY CROSS SECTION WITH SUBDRAIN
N.T.S.



TYPICAL TEE APRON TIE-IN DETAIL
N.T.S.



Description of property limits, and existing and/or proposed features relative to these limits as shown on this drawing do not represent a Legal Survey. WSP makes no representation or guarantee that the property limit information is accurate. WSP accepts no responsibility for damages, if any, suffered by any third party as a result of decisions made or actions based on this drawing.

TEST HOLE DATUM
TH51 - N 5523368, E 6357444
TH52 - N 5523441, E 635876
TH53 - N 5523509, E 635997

DESCRIPTION
NORTH EAST CORNER OF ST.MARY'S ROAD AND THORNDALE AVENUE. TABLET ON TOP OF 0.05M DIA. x 2.4M IRON PIPE. 2.7M SOUTH OF NORTH LIMIT OF THORNDALE AVENUE AND ON EAST LIMIT OF ST. MARY'S ROAD.

NOTE:
ROW WIDTH 4.875M
NEW LANE DESIGN WIDTH 4.267M

ENGINEERS SEAL

---	WATERMAIN	---	M.T.S.	---	WATERMAIN	---
⊕	HYDRANT	⊕	TRAFFIC SIGNAL	⊕	VALVE	⊕
⊗	VALVE	⊗	CONCRETE/ASPHALT	⊗	LAND DRAINAGE SEWER	⊗
⊘	CURB STOP	⊘	SIDEWALK	⊘	WASTE WATER SEWER	⊘
---	WASTE WATER SEWER	---	CURB RAMP	---	CENTERLINE	---
---	LAND DRAINAGE SEWER	---	PROPERTY LINE	---	SOUTH & EAST GUTTER	---
---	C.B. LEAD	---	ELEVATIONS	---	NORTH & WEST GUTTER	---
○	MANHOLE	○			TEST HOLE LOCATION	⊕TH#
□	CATCH BASIN	□			S. & E. PAD/GARG.	
---	GAS	---			N. & W. PAD/GARG.	
---	HYDRO	---				
---	EXISTING	---	LEGEND - PLAN	---	EXISTING	---
---	LEGEND - PLAN	---	PROPOSED	---	LEGEND - PROFILE	---
---	PROPOSED	---	EXISTING	---	PROPOSED	---

LOCATION APPROVED UNDERGROUND STRUCTURES

SUPV. U/G STRUCTURES DATE COMMITTEE

NOTE:
LOCATION OF UNDERGROUND STRUCTURES AS SHOWN ARE BASED ON THE BEST INFORMATION AVAILABLE BUT NO GUARANTEE IS GIVEN THAT ALL EXISTING UTILITIES ARE SHOWN OR THAT THE GIVEN LOCATIONS ARE EXACT. CONFIRMATION OF EXISTENCE AND EXACT LOCATION OF ALL SERVICES MUST BE OBTAINED FROM THE INDIVIDUAL UTILITIES BEFORE PROCEEDING WITH CONSTRUCTION.

NO.	REVISIONS	DATE	BY
4	ISSUED FOR TENDER	05/08/15	A.B.
3	COW REVIEW AND APPROVAL	05/05/15	A.B.
2	W&W 70% DESIGN REVIEW	03/26/15	A.B.
1	70% DESIGN REVIEW	01/31/15	A.B.

B.M. 54-035, 84R733
ELEV. 231.877

DESIGNED BY: A.B.
CHECKED BY: S.M.

DRAWN BY: A.B.
APPROVED BY: I.McK.

HOR. SCALE: 1:250
VERT. SCALE: 1:25

DATE: MAY 2015

1600 BUFFALO PLACE
WINNIPEG, MB, R3T 6B8
PHONE: 204-477-6650
FAX: 204-474-2864
WWW.WSPGROUP.COM

CONSULTANT DRAWING NO.
141-24150-00-08

FOR CONTINUATION SEE
DWG 141-24150-00-09

MATCHLINE - 2+25

METRIC
WHOLE NUMBERS INDICATE MILLIMETRES
DECIMALIZED NUMBERS INDICATE METRES

WSP
Certificate of Authorization
WSP Canada Inc.
No. 6700 Date

THE CITY OF WINNIPEG
PUBLIC WORKS DEPARTMENT

2015 LOCAL IMPROVEMENTS - CONTRACT 1
FERNWOOD AVENUE / THORNDALE AVENUE LANE
FROM STATION 1+00 TO STATION 2+25
ASPHALT PAVEMENT

CITY DRAWING NO. SHEET 1 OF 3
426-2015