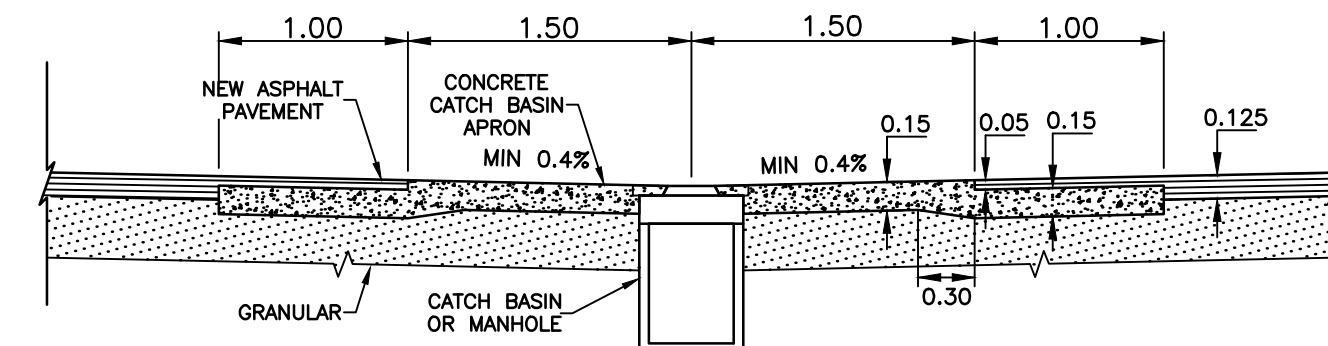
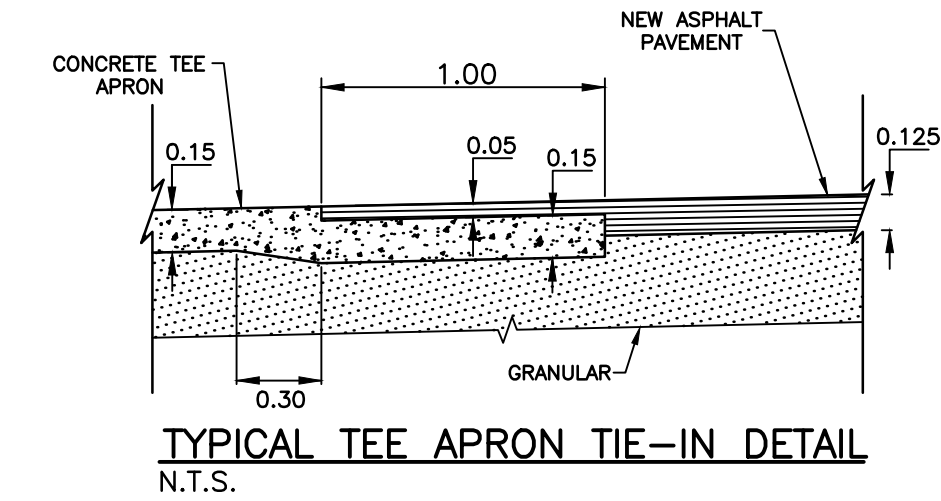


- NOTES:**
- ISOLATE EXISTING HYDRO POLES AS DIRECTED BY CONTRACT ADMINISTRATOR
  - RENEW EXISTING APPROACHES AS DIRECTED BY CONTRACT ADMINISTRATOR
  - ADDITIONAL EXCAVATION AND INSTALLATION OF SUBGRADE GEOGRID TO BE DETERMINED BY CONTRACT ADMINISTRATOR
  - ADJUSTMENTS TO PROPOSED CROSSFALL, WHERE REQUIRED, ARE TO BE DETERMINED BY CONTRACT ADMINISTRATOR TO SUIT EXISTING DRIVEWAYS, APPROACHES, ETC.
  - ALL LAND DRAINAGE SEWER EXCAVATION TO BE JETTED, FLOODED AND TAMPED AS PER CW2030-R7

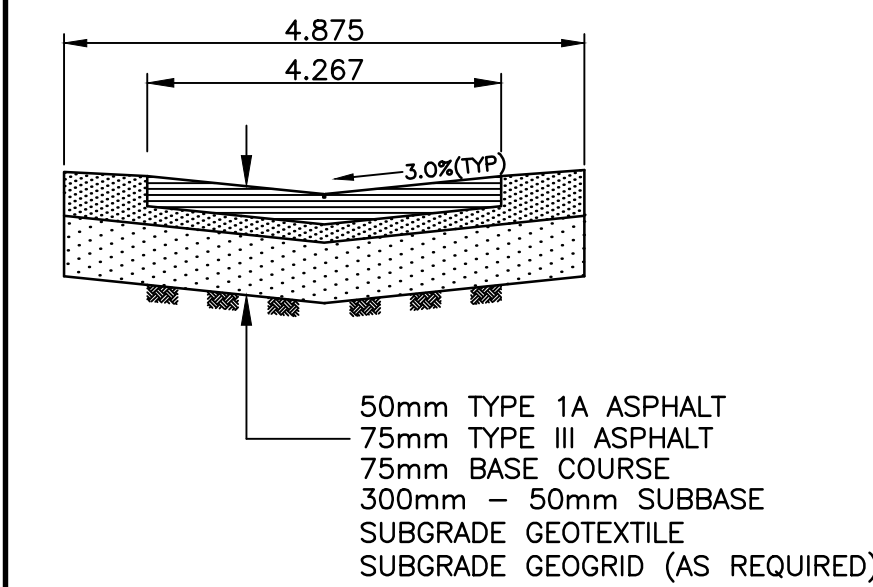


TYPICAL CATCHBASIN APRON DETAIL  
N.T.S.

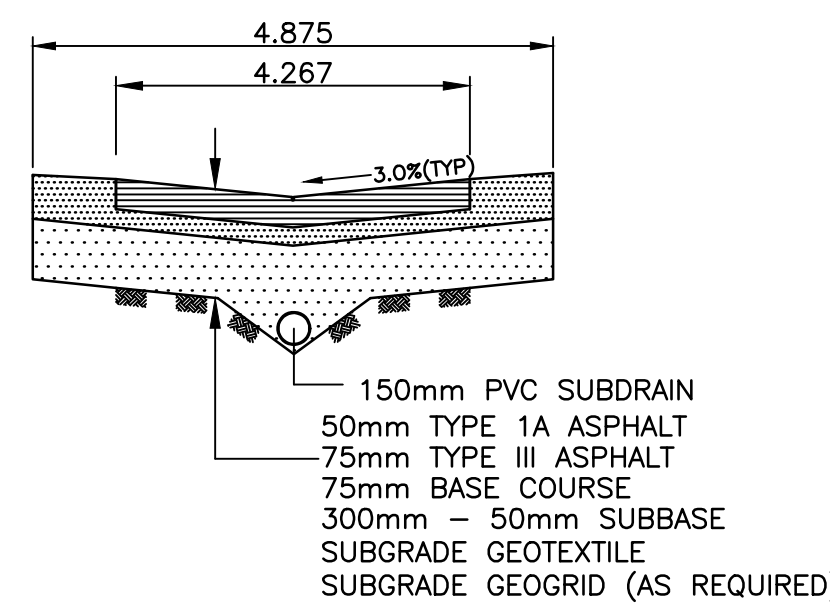
CHAINAGE ALONG C OF  
PUBLIC LANE  
FIFTH AVENUE / GUAY AVENUE



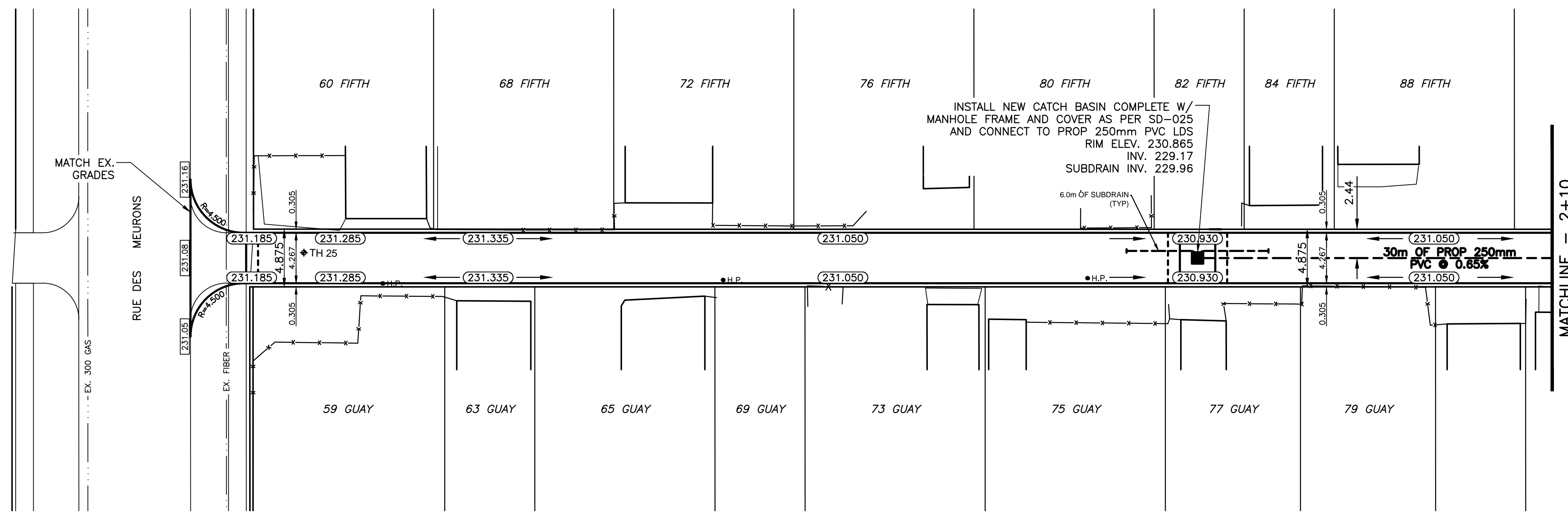
TYPICAL TEE APRON TIE-IN DETAIL  
N.T.S.



TYPICAL ALLEY CROSS SECTION  
N.T.S.



TYPICAL ALLEY CROSS SECTION WITH SUBDRAIN  
N.T.S.



FOR CONTINUATION SEE  
DWG 141-24150-00-12

"Description of property limits, and existing and/or proposed features relative to these limits as shown on this drawing do not represent a Legal Survey. WSP makes no representation or guarantee that the property limit information is accurate. WSP accepts no responsibility for damages, if any, suffered by any third party as a result of decisions made or actions based on this drawing."

TEST HOLE DATUM  
TH25 - N 5526088, E 635901  
TH26 - N 5526138, E 635996  
TH27 - N 5526187, E 636083

DESCRIPTION  
DEEP BENCH MARK IN GUAY PARK, ST. MARY'S ROAD OPPOSITE GUAY AVENUE, 6.1M SOUTH OF CENTER LINE OF ASPHALT WALK TO WAR MEMORIAL WEST OF MAIN ENTRANCE AND 11.7M WEST OF WEST LIMIT OF ST. MARY'S ROAD.

NOTE:  
ROW WIDTH 4.875M  
NEW LANE DESIGN WIDTH 4.267M

METRIC  
WHOLE NUMBERS INDICATE MILLIMETRES  
DECIMALIZED NUMBERS INDICATE METRES



WATERMAIN		M.T.S.		WATERMAIN	
HYDRANT	+	TRAFFIC SIGNAL	+	VALVE	+
VALVE	+	CONCRETE/ASPHALT	+	LAND DRAINAGE SEWER	+
CURB STOP	+	SIDEWALK	+	WASTE WATER SEWER	+
WASTE WATER SEWER	+	CURB RAMP	+	CENTERLINE	+
LAND DRAINAGE SEWER	+	PROPERTY LINE	+	SOUTH & EAST GUTTER	+
C.B. LEAD	+	ELEVATIONS	(32.00)	NORTH & WEST GUTTER	+
MANHOLE	+			TEST HOLE LOCATION	+
CATCH BASIN	+			S. & E. PAD/GARG.	+
GAS	+			N. & W. PAD/GARG.	+
HYDRO	+				
EXISTING	LEGEND - PLAN	PROPOSED	EXISTING	LEGEND - PLAN	PROPOSED
			EXISTING	LEGEND - PROFILE	PROPOSED

LOCATION APPROVED UNDERGROUND STRUCTURES

SUPV. U/G STRUCTURES	DATE
COMMITTEE	

NOTE:  
LOCATION OF UNDERGROUND STRUCTURES AS SHOWN ARE BASED ON THE BEST INFORMATION AVAILABLE BUT NO GUARANTEE IS GIVEN THAT ALL EXISTING UTILITIES ARE SHOWN OR THAT THE GIVEN LOCATIONS ARE EXACT. CONFIRMATION OF EXISTENCE AND EXACT LOCATION OF ALL SERVICES MUST BE OBTAINED FROM THE INDIVIDUAL UTILITIES BEFORE PROCEEDING WITH CONSTRUCTION.

NO.	REVISIONS	DATE	BY
4	ISSUED FOR TENDER	05/08/15	A.B.
3	COW REVIEW AND APPROVAL	05/05/15	A.B.
2	W&W 70% DESIGN REVIEW	03/26/15	A.B.
1	70% DESIGN REVIEW	01/31/15	A.B.

**WSP**  
1600 BUFFALO PLACE  
WINNIPEG, MB, R3T 6B8  
PHONE: 204-477-6650  
FAX: 204-474-2864  
WWW.WSPGROUP.COM

DESIGNED BY A.B.	CHECKED BY S.M.
DRAWN BY A.B.	APPROVED BY I.McK.
HOR. SCALE: 1:250	RELEASED FOR CONSTRUCTION
VERT. SCALE: 1:25	DATE
DATE MAY 2015	DATE

ENGINEERS SEAL

CONSULTANT DRAWING NO. 141-24150-00-11
---

**THE CITY OF WINNIPEG**  
PUBLIC WORKS DEPARTMENT

2015 LOCAL IMPROVEMENTS - CONTRACT 1  
FIFTH AVENUE / GUAY AVENUE LANE  
E. GUTTER OF RUE DES MEURONS TO STA. 2+10  
ASPHALT PAVEMENT

CITY DRAWING NO.  
SHEET 1 OF 2  
426-2015