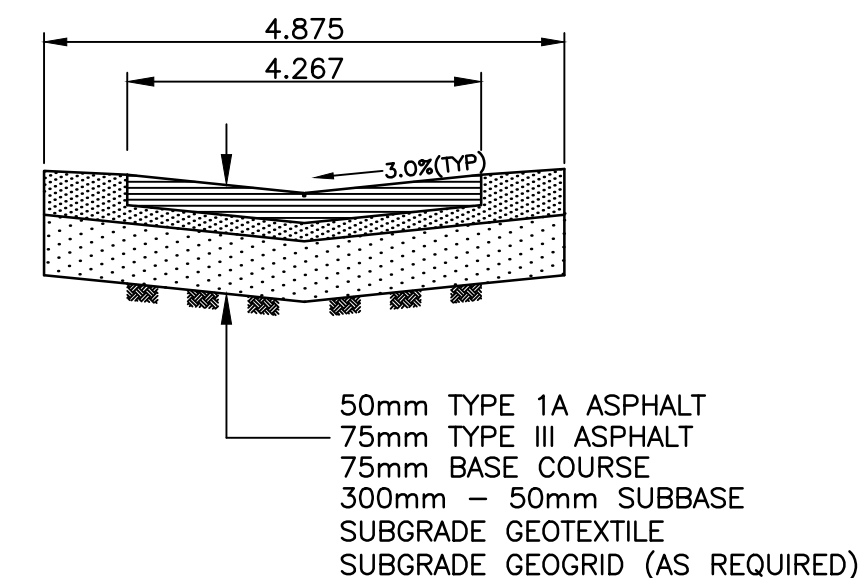
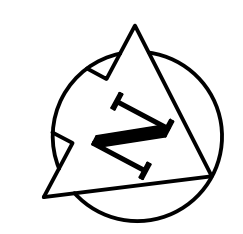


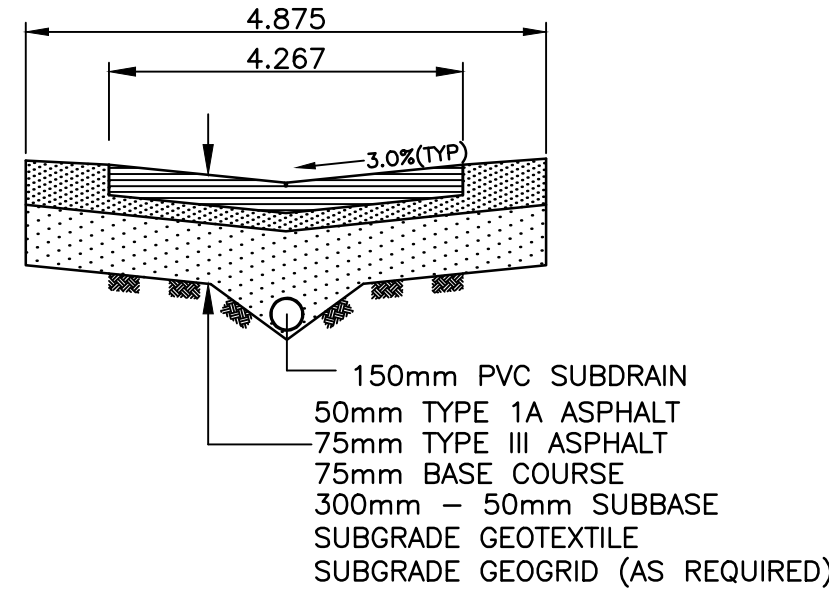
- NOTES:**
- ISOLATE EXISTING HYDRO POLES AS DIRECTED BY CONTRACT ADMINISTRATOR
 - RENEW EXISTING APPROACHES AS DIRECTED BY CONTRACT ADMINISTRATOR
 - ADDITIONAL EXCAVATION AND INSTALLATION OF SUBGRADE GEOGRID TO BE DETERMINED BY CONTRACT ADMINISTRATOR
 - ADJUSTMENTS TO PROPOSED CROSSFALL, WHERE REQUIRED, ARE TO BE DETERMINED BY CONTRACT ADMINISTRATOR TO SUIT EXISTING DRIVEWAYS, APPROACHES, ETC.
 - ALL LAND DRAINAGE SEWER EXCAVATION TO BE JETTED, FLOODED AND TAMPED AS PER CW2030-R7

CHAINAGE ALONG CL OF PUBLIC LANE

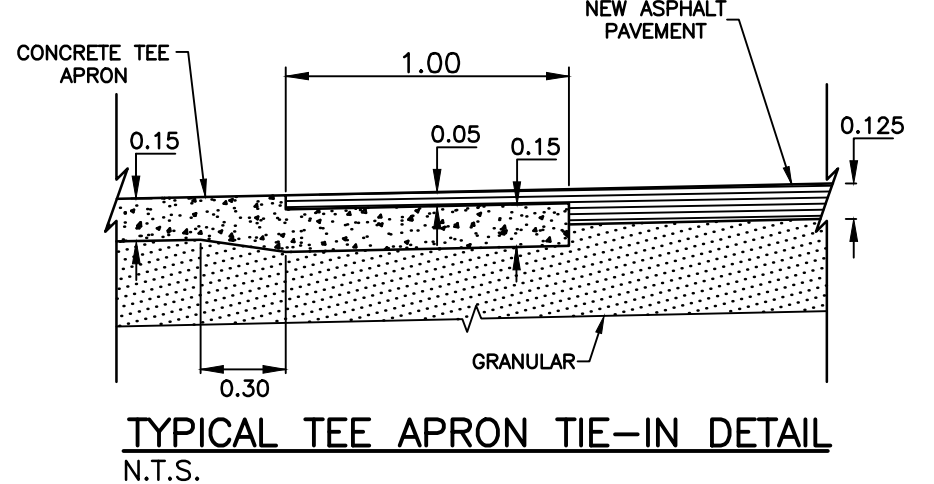
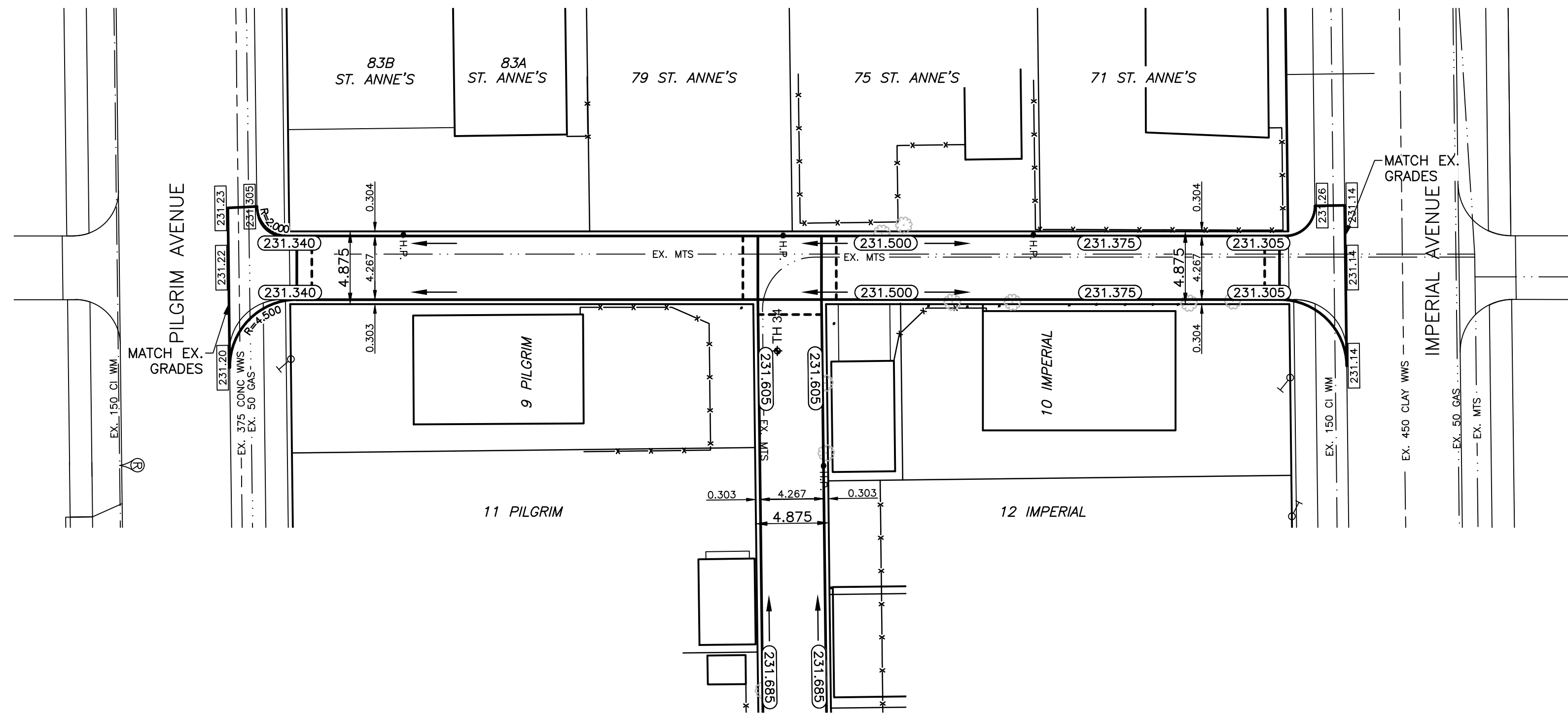
IMPERIAL AVENUE / PILGRIM AVENUE



TYPICAL ALLEY CROSS SECTION N.T.S.



TYPICAL ALLEY CROSS SECTION WITH SUBDRAIN N.T.S.



TYPICAL TEE APRON TIE-IN DETAIL N.T.S.

Description of property limits, and existing and/or proposed features relative to these limits as shown on this drawing do not represent a Legal Survey. WSP makes no representation or guarantee that the property limit information is accurate. WSP accepts no responsibility for damages, if any, suffered by any third party as a result of decisions made or actions based on this drawing.

TEST HOLE DATUM
 TH34 - N 5524983, E 635971
 TH35 - N 5525077, E 636141
 TH36 - N 5525166, E 636302

FOR CONTINUATION SEE DWG 141-24150-00-16

DESCRIPTION:
 TABLE IN EAST CONCRETE FOUNDATION OF ST. VITAL CIVIC OFFICES, 604 ST. MARY'S ROAD, 0.3M NORTH OF NORTH SIDE OF FRONT ENTRANCE.

ROW WIDTH 4.875M
 NEW LANE DESIGN WIDTH 4.267M

EXISTING	LEGEND - PLAN	PROPOSED	EXISTING	LEGEND - PLAN	PROPOSED	EXISTING	LEGEND - PROFILE	PROPOSED
---	WATERMAIN	---	---	M.T.S.	---	---	WATERMAIN	---
⊕	HYDRANT	⊕	---	TRAFFIC SIGNAL	---	---	VALVE	---
⊗	VALVE	⊗	---	CONCRETE/ASPHALT	---	---	LAND DRAINAGE SEWER	---
⊙	CURB STOP	⊙	---	SIDEWALK	---	---	WASTE WATER SEWER	---
---	WASTE WATER SEWER	---	---	CURB RAMP	---	---	CENTERLINE	---
---	LAND DRAINAGE SEWER	---	---	PROPERTY LINE	---	---	SOUTH & EAST GUTTER	---
---	C.B. LEAD	---	---	ELEVATIONS	---	---	NORTH & WEST GUTTER	---
○	MANHOLE	○	---		---	---	TEST HOLE LOCATION	⊕TH#
□	CATCH BASIN	□	---		---	---	S. & E. PAD/GARG.	---
---	GAS	---	---		---	---	N. & W. PAD/GARG.	---
---	HYDRO	---	---		---	---		---

LOCATION APPROVED UNDERGROUND STRUCTURES

SUPV. U/G STRUCTURES DATE COMMITTEE

NOTE:
 LOCATION OF UNDERGROUND STRUCTURES AS SHOWN ARE BASED ON THE BEST INFORMATION AVAILABLE BUT NO GUARANTEE IS GIVEN THAT ALL EXISTING UTILITIES ARE SHOWN OR THAT THE GIVEN LOCATIONS ARE EXACT. CONFIRMATION OF EXISTENCE AND EXACT LOCATION OF ALL SERVICES MUST BE OBTAINED FROM THE INDIVIDUAL UTILITIES BEFORE PROCEEDING WITH CONSTRUCTION.

NO.	REVISIONS	DATE	BY
4	ISSUED FOR TENDER	05/08/15	A.B.
3	COW REVIEW AND APPROVAL	05/05/15	A.B.
2	W&W 70% DESIGN REVIEW	03/26/15	A.B.
1	70% DESIGN REVIEW	01/31/15	A.B.

WSP

1600 BUFFALO PLACE
 WINNIPEG, MB, R3T 6B8
 PHONE: 204-477-6650
 FAX: 204-474-2864
 WWW.WSPGROUP.COM

DESIGNED BY: A.B.
 CHECKED BY: S.M.
 DRAWN BY: A.B.
 APPROVED BY: I.McK.
 HOR. SCALE: 1:250
 VERT. SCALE: 1:25
 DATE: MAY 2015

ENGINEERS SEAL

CONSULTANT DRAWING NO.
 141-24150-00-15

METRIC
 WHOLE NUMBERS INDICATE MILLIMETRES
 DECIMALIZED NUMBERS INDICATE METRES

APEGM
 Certificate of Authorization
 WSP Canada Inc.
 No. 6760 Date

THE CITY OF WINNIPEG
 PUBLIC WORKS DEPARTMENT

2015 LOCAL IMPROVEMENTS - CONTRACT 1
 IMPERIAL AVENUE / PILGRIM AVENUE LANE
 WEST LEG FROM PILGRIM AVENUE TO IMPERIAL AVENUE ASPHALT PAVEMENT

CITY DRAWING NO.
 SHEET 1 OF 4
 426-2015