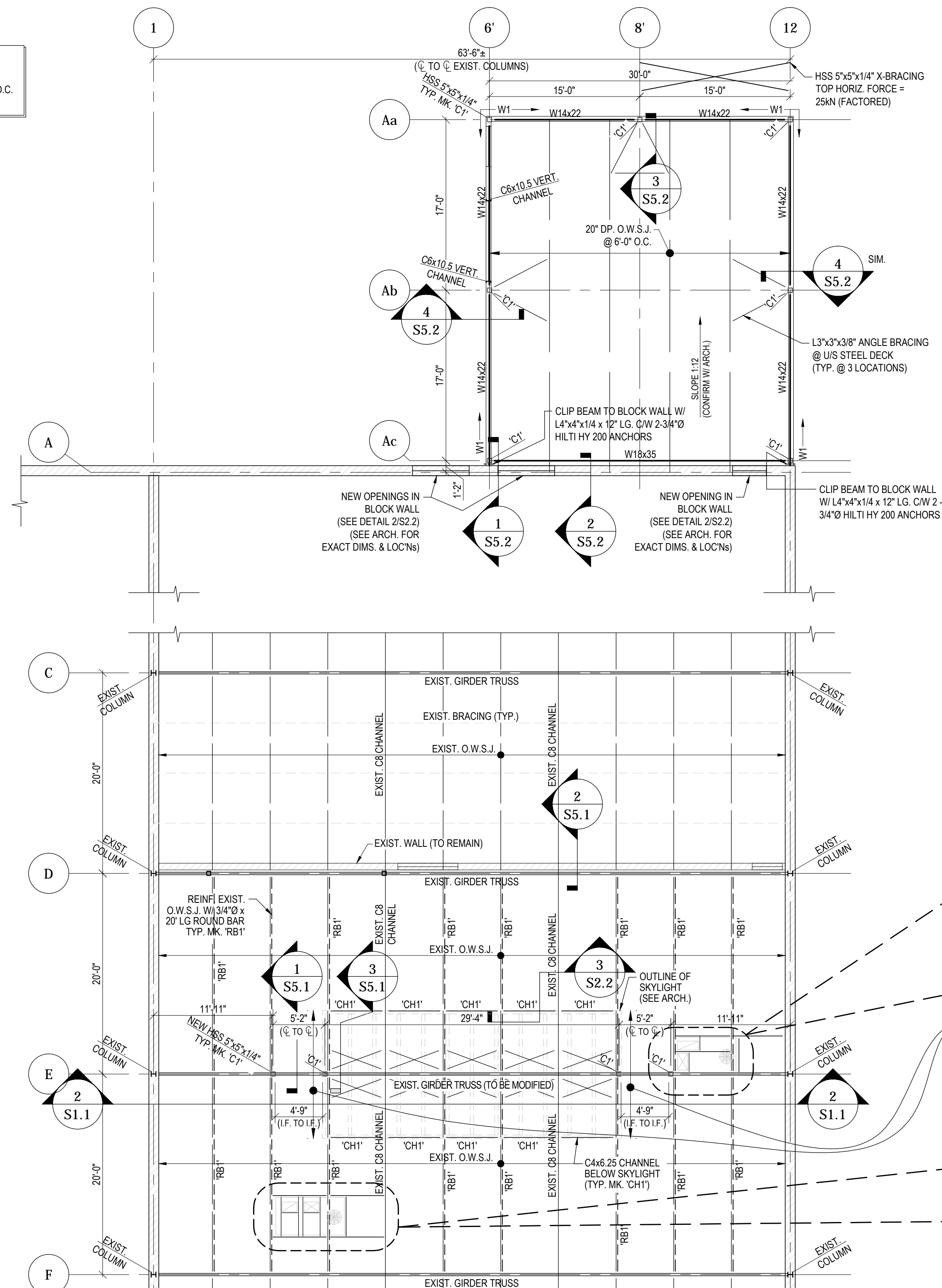
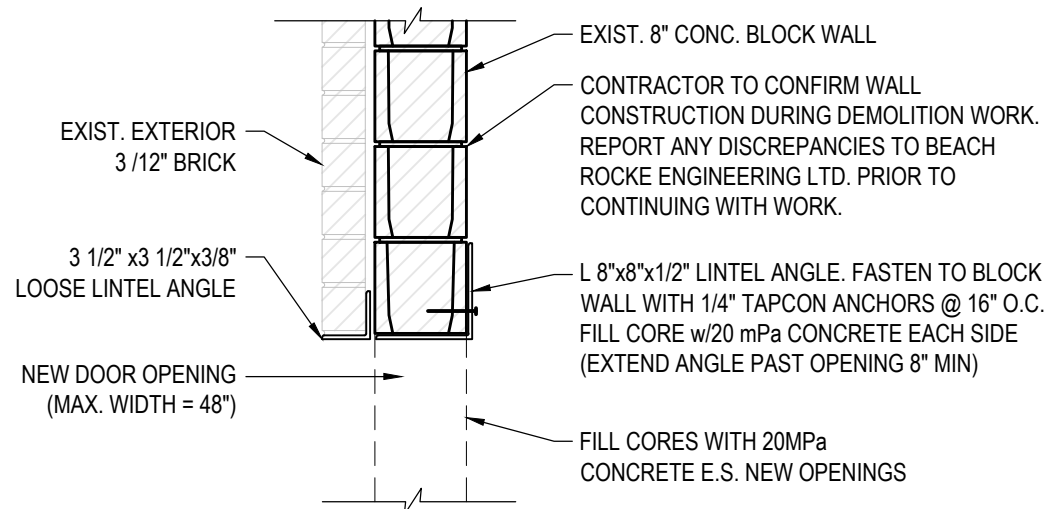


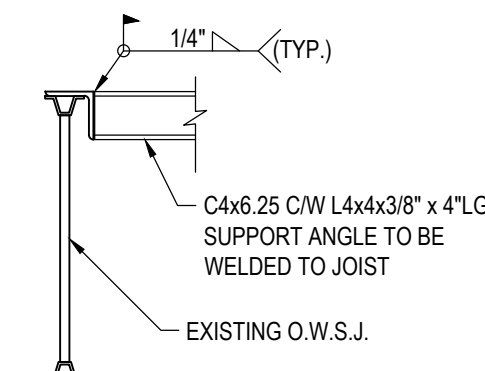
WALL SCHEDULE
 W1 - 6" x 20GA. STEEL STUDS (600S162-33) @ 16" O.C.



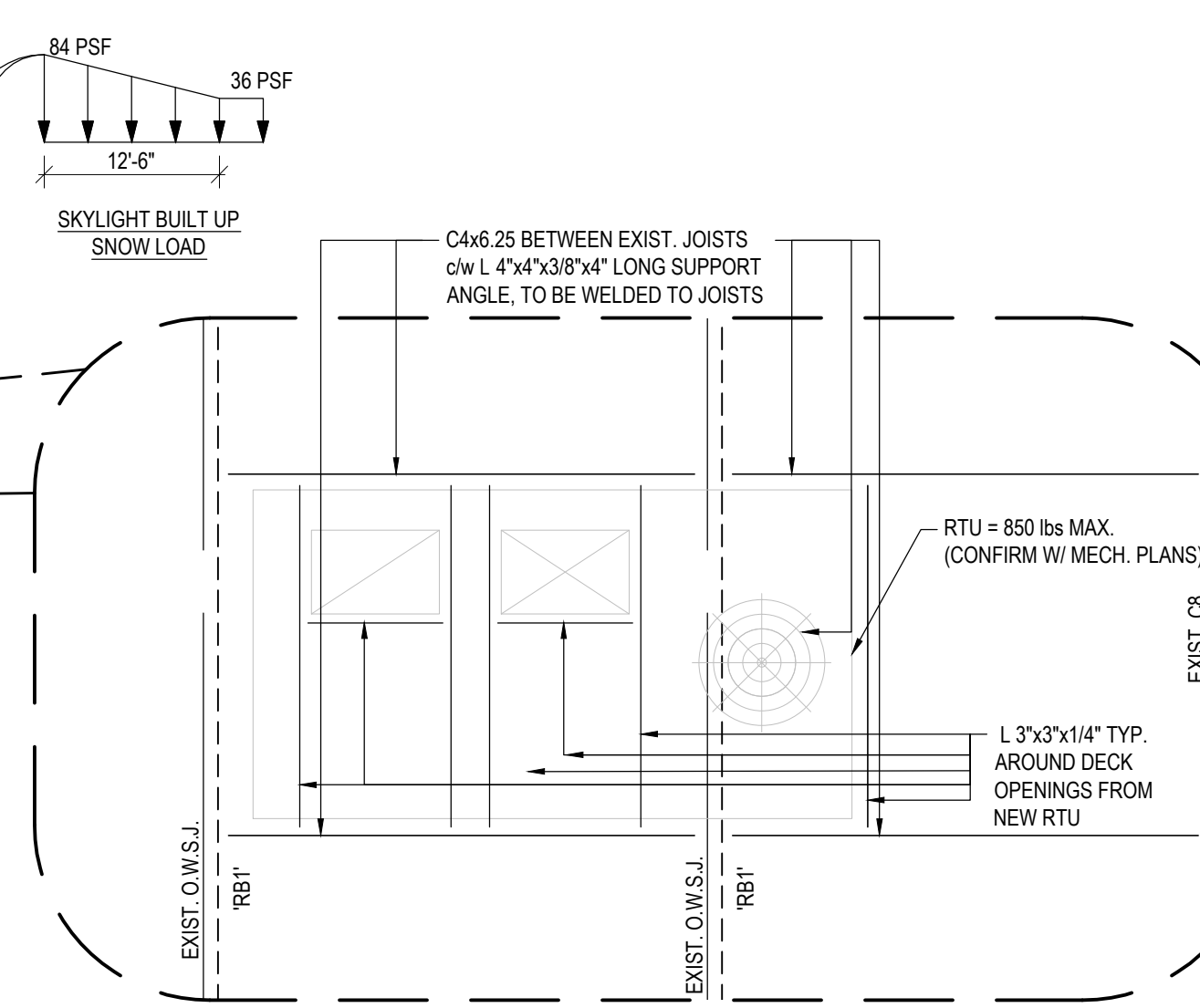
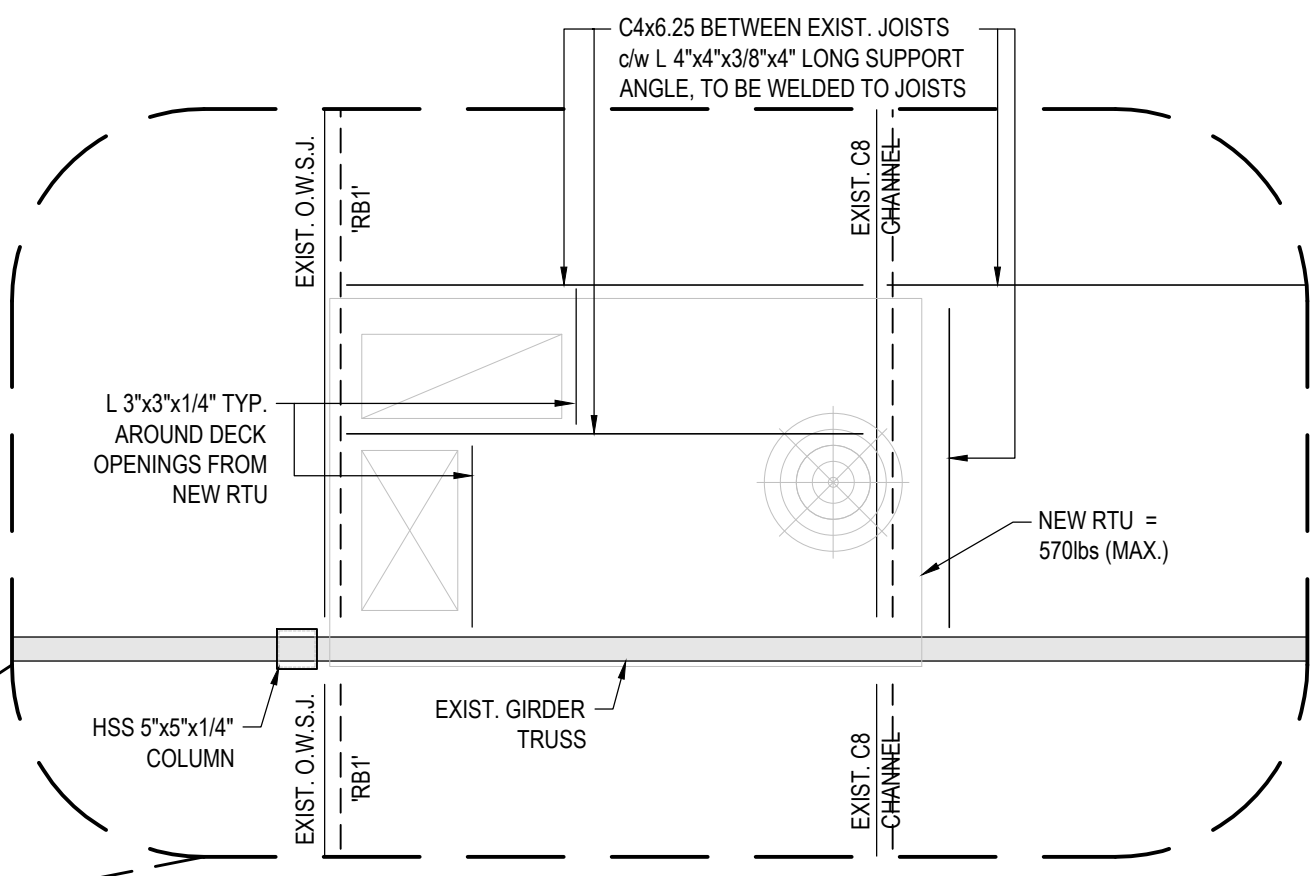
1 ROOF FRAMING PLAN
 S2.2 SCALE: 1/8" = 1'-0"
 DESIGN LOADS:
 DESIGN LIVE LOAD = 36 PSF
 DESIGN TOTAL LOAD = 20 PSF



2 SECTION
 S2.2 SCALE: 3/4" = 1'-0"



3 DETAIL
 S2.2 SCALE: 3/4" = 1'-0"



REV	DESCRIPTION	DATE	BY
5	ISSUED FOR TENDER	12 JUNE 2015	SAS
4	ISSUED FOR CONSTRUCTION	01 JUNE 2015	SAS
3	ISSUED FOR REVIEW	13 MAY 2015	SAS
2	ISSUED FOR PRICING	10 APR 2015	SAS
1	ISSUED FOR REVIEW	23 FEB 2015	SAS

SEAL	SEAL

THIS DRAWING MUST NOT BE SCALED.
 THE GENERAL CONTRACTOR SHALL VERIFY ALL DIMENSIONS, DATUMS AND LEVELS PRIOR TO COMMENCEMENT OF WORK AND IS HELD RESPONSIBLE FOR REPORTING ANY DISCREPANCY OR OMISSION TO NEIL COOPER ARCHITECT INC IMMEDIATELY.
 THIS DRAWING IS THE EXCLUSIVE PROPERTY OF NEIL COOPER ARCHITECT INC AND CAN BE REPRODUCED ONLY WITH THE PERMISSION OF NEIL COOPER ARCHITECT INC, IN WHICH CASE THE REPRODUCTION MUST BEAR THEIR NAME AS THE ARCHITECTURAL FIRM.

ROOF FRAMING PLAN
 PROJECT:
TRANSPORTATION MANAGEMENT CENTRE RENOVATIONS
 821 Elgin Ave., Winnipeg, Manitoba

Neil Cooper Architect Inc.
 10-395 Berry Street, Winnipeg, Manitoba R3J 1N6

Beach Rocke
 ENGINEERING LTD.
 Professional Engineering Services
 1050 St. Mary's Road, Winnipeg, Manitoba R2M 3S9
 Telephone: (204) 255 7261 Fax: (204) 257 7229

DRAWN BY:	CHECKED BY:	SHEET NO.:	REV NO.:
SAS	RH	S2.2	5
DATE:	SCALE:	FILE:	
12 JUNE 2015	AS NOTED	15-086-CG-31	