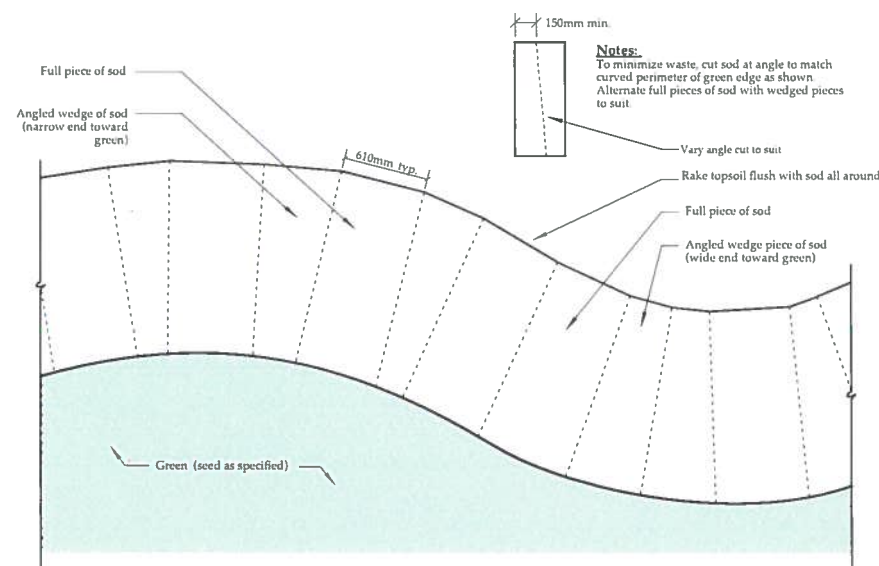
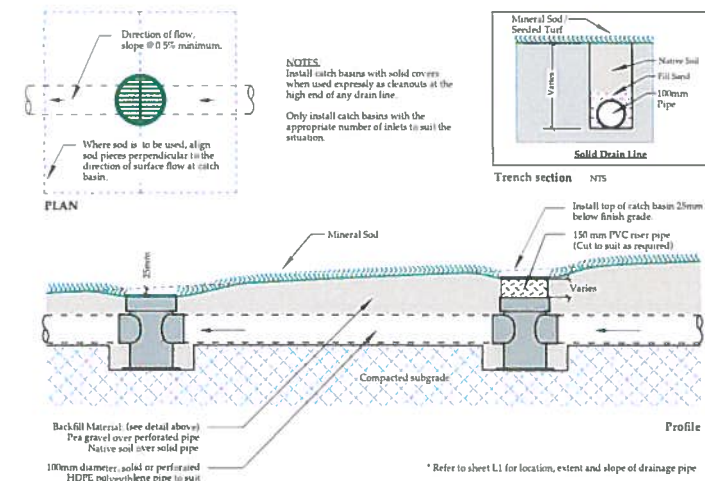


Notes:
 Refer to detailed layout drawings for direction and extent of surface slope. (Slopes are not to exceed 4% unless specifically noted.)
 Subgrade contour to be graded to within 13mm +/- of finish grade of green surface (subgrade contours and drainage pipe installation must be approved by the Contract Administrator prior to placement of drainage materials and seed bed mix.)
 Ensure a smooth transition between topsoil surface on surrounds (or sod surface) and finished surface of green.

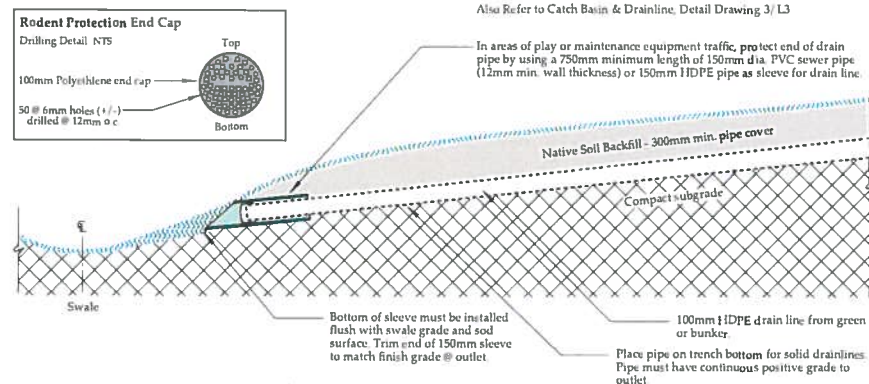
1 Typical California Green Section
 L3 Scale: 1:12



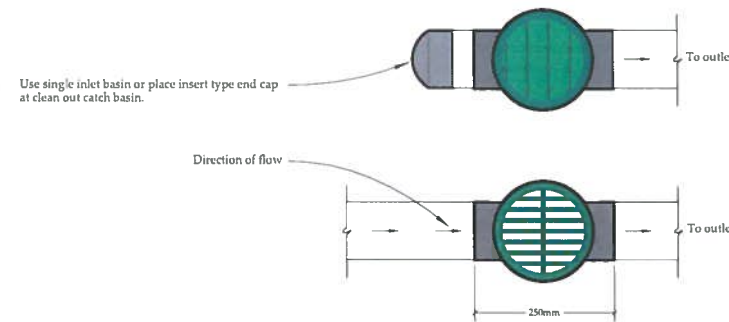
2 Green Surrounds Sodding Detail Plan
 L3 Scale: 1:24



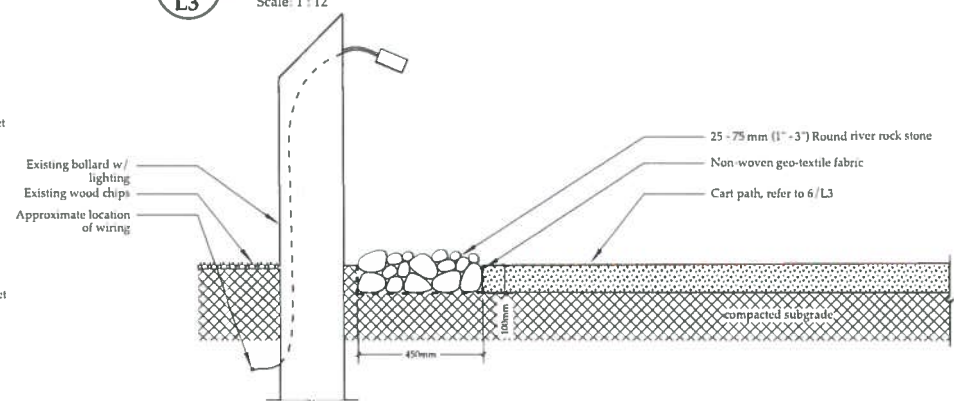
3 Catch Basin & Drainline Detail Section
 L3 Scale: 1:12



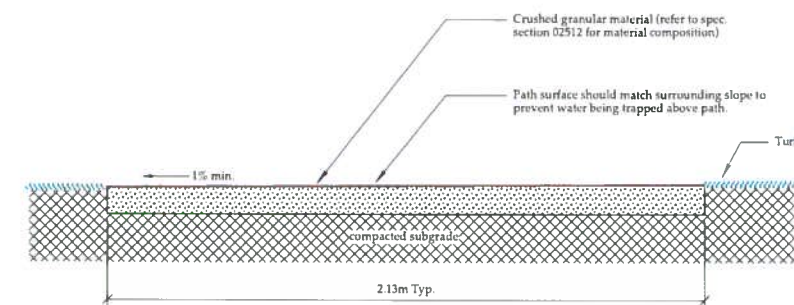
4 Drain Outlet Detail Section
 L3 Scale: 1:24



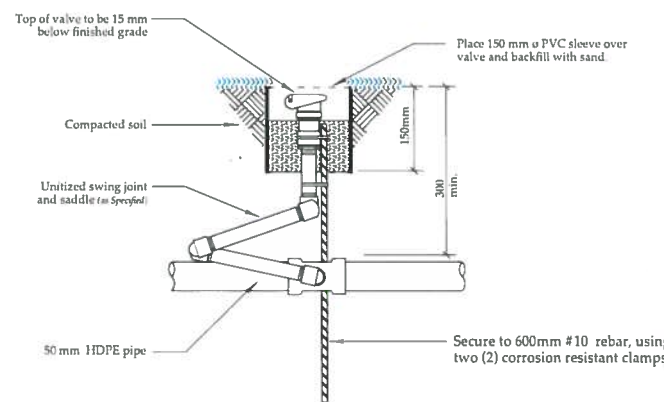
5 150mm Plastic Catch Basin Detail Plan
 L3 Scale: 1:6



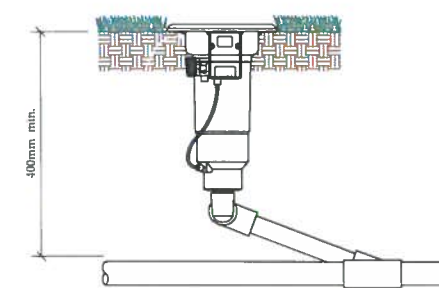
9 Cart Path Section Typical
 L3 Scale: 1:12



6 Cart Path Section Typical
 L3 Scale: 1:12



7 QC Valve Installation Detail Elevation
 L3 Scale: 1:6



8 Irrigation Rotor Installation Detail Elevation
 L3 Scale: 1:6

GRANT GOLF
 Golf Course Planning • Design • Construction Management
 Winnipeg, Manitoba R3R 3B1
 Ph: (204) 229-2419 • Email: grantgolf@mac.com

Project: **Crescent Drive Golf Course**
 781 Crescent Dr., Winnipeg, MB.
 Drawing Title: **Construction Details**

Notes: **Bid Opportunity 439-2015**

Scale: **As specified**
 North:
 Drawn: **TK**
 Checked: **DG**
 Proj. No.: **14.09**
 Date: **Mar. 27, 2015**
 Revisions: **May 20, 2016**
Addendum #1

Drawing No.: **L3-R1**