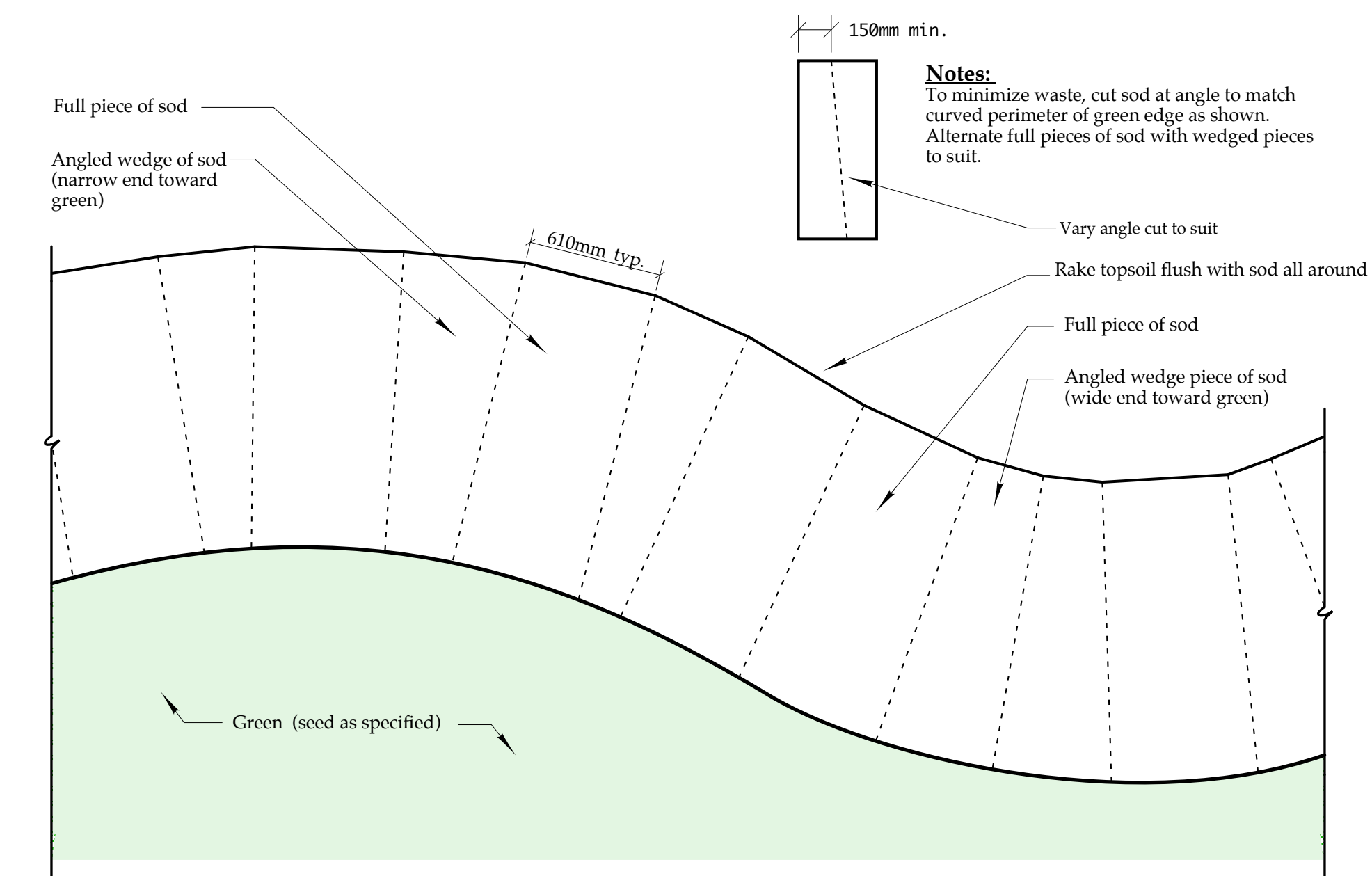
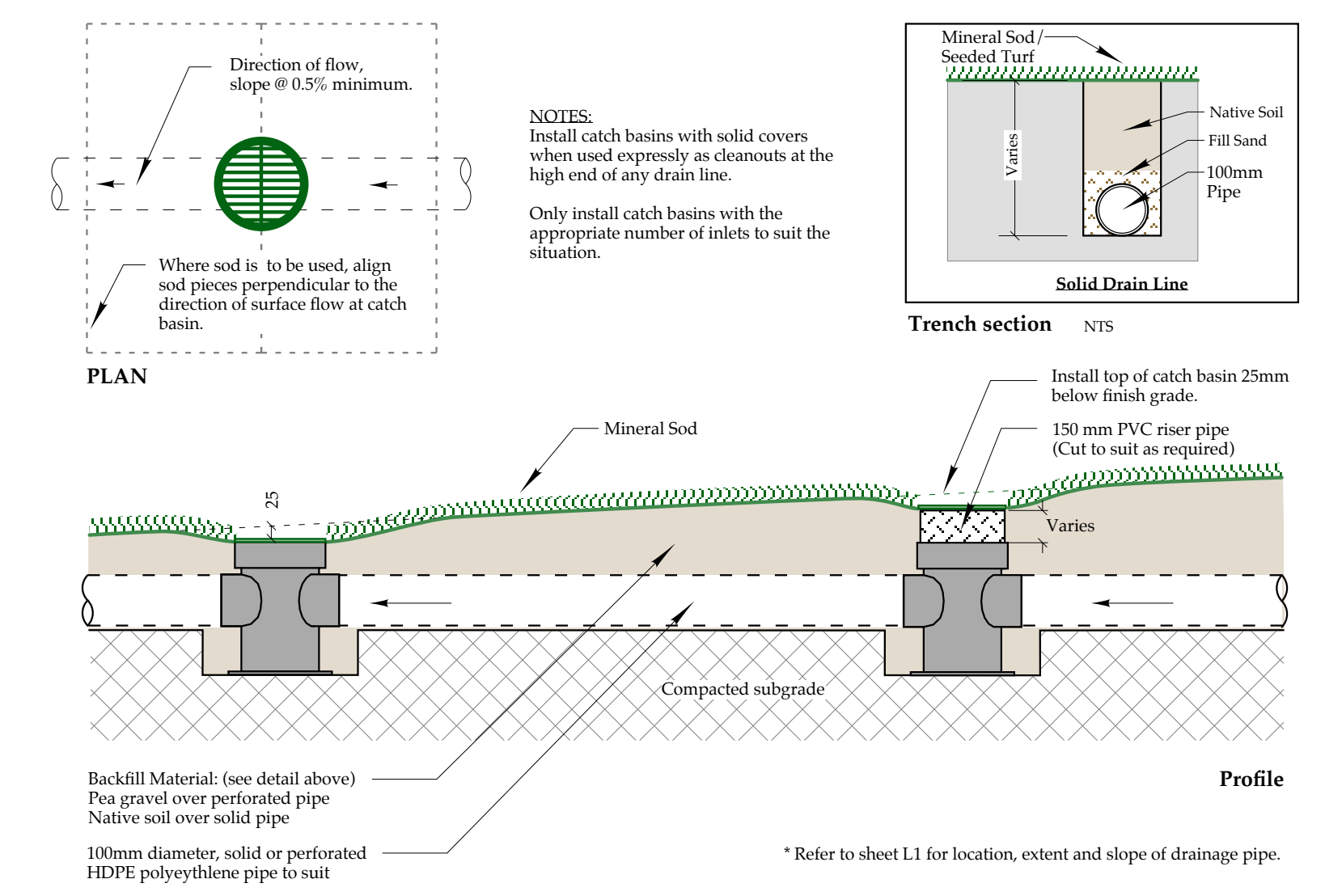


Notes:
 Refer to detailed layout drawings for direction and extent of surface slope. (Slopes are not to exceed 4% unless specifically noted.)
 Subgrade contour to be graded to within 13mm +/- of finish grade of green surface (subgrade contours and drainage pipe installation must be approved by the Contract Administrator prior to placement of drainage materials and seed bed mix)
 Ensure a smooth transition between topsoil surface on surrounds (or sod surface) and finished surface of green.

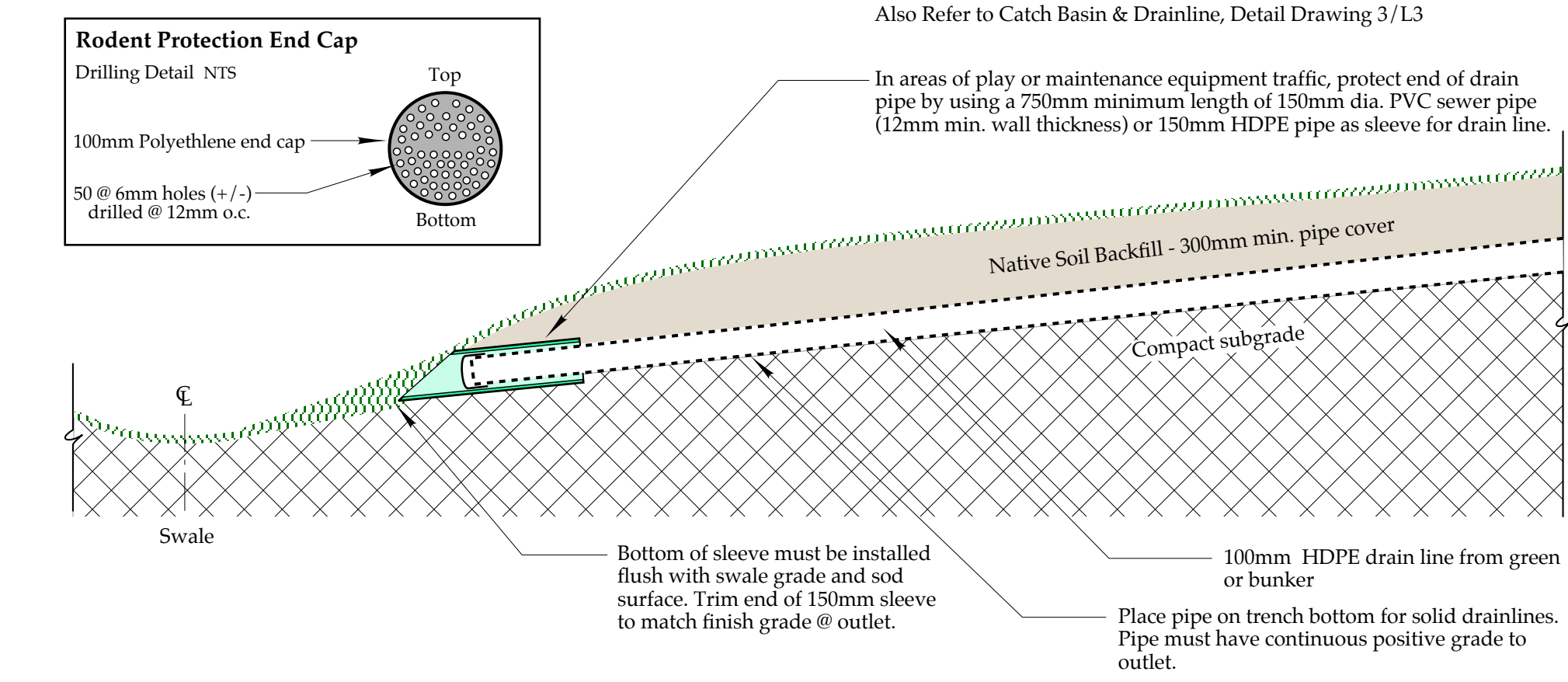
1
L3 **Typical California Green** Section
 Scale: 1 : 12



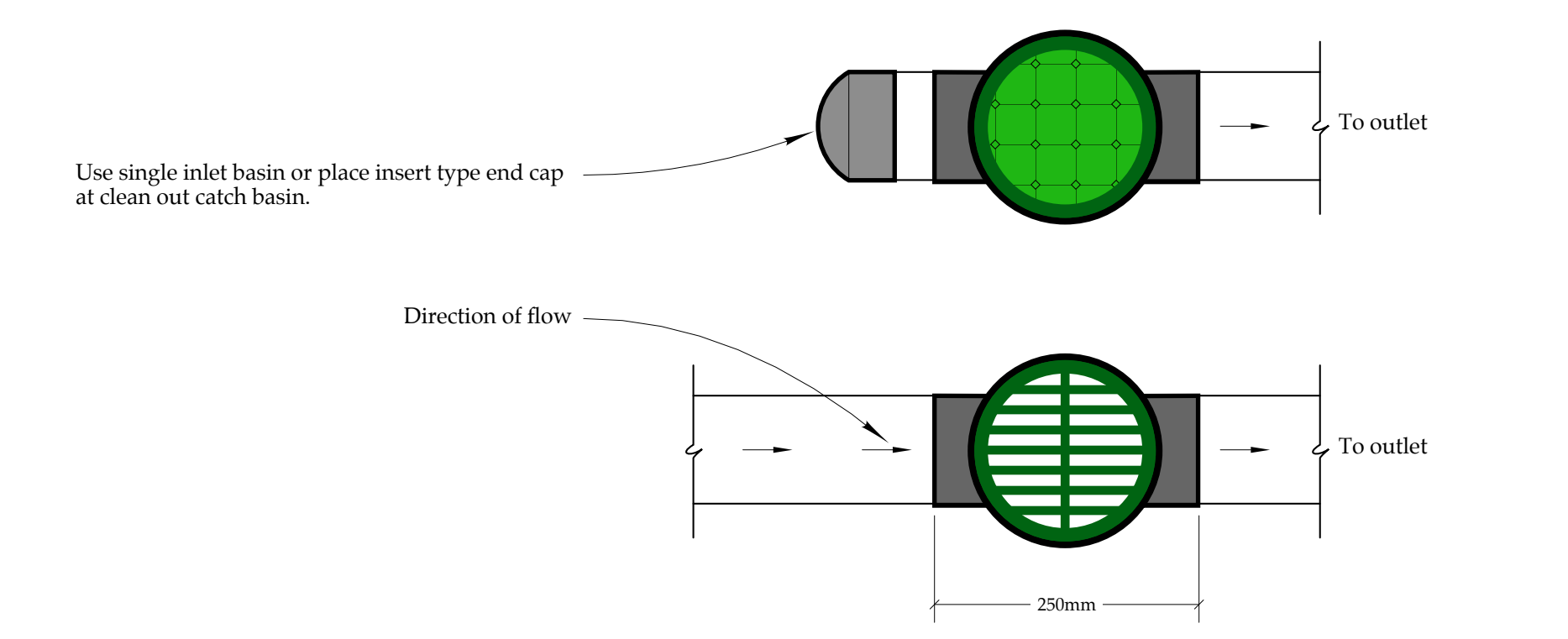
2
L3 **Green Surrounds Sodding Detail** Plan
 Scale: 1 : 24



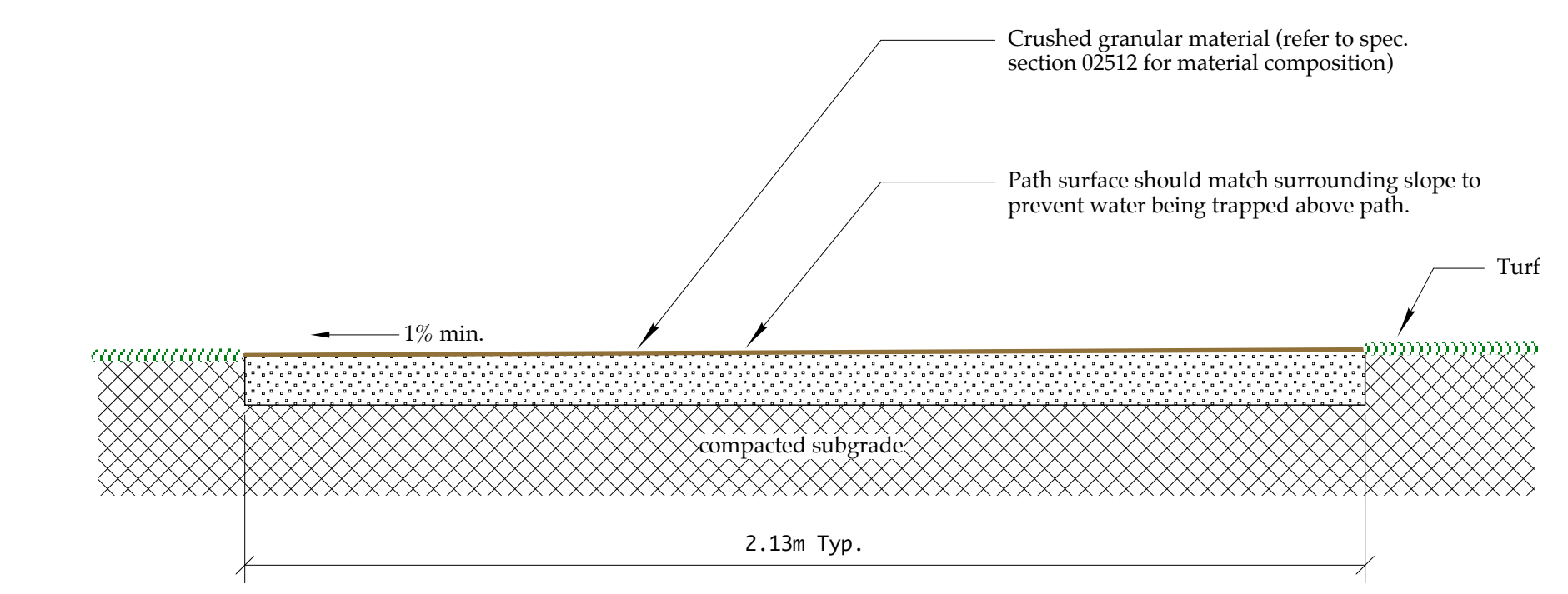
3
L3 **Catch Basin & Drainline Detail** Section
 Scale: 1 : 12



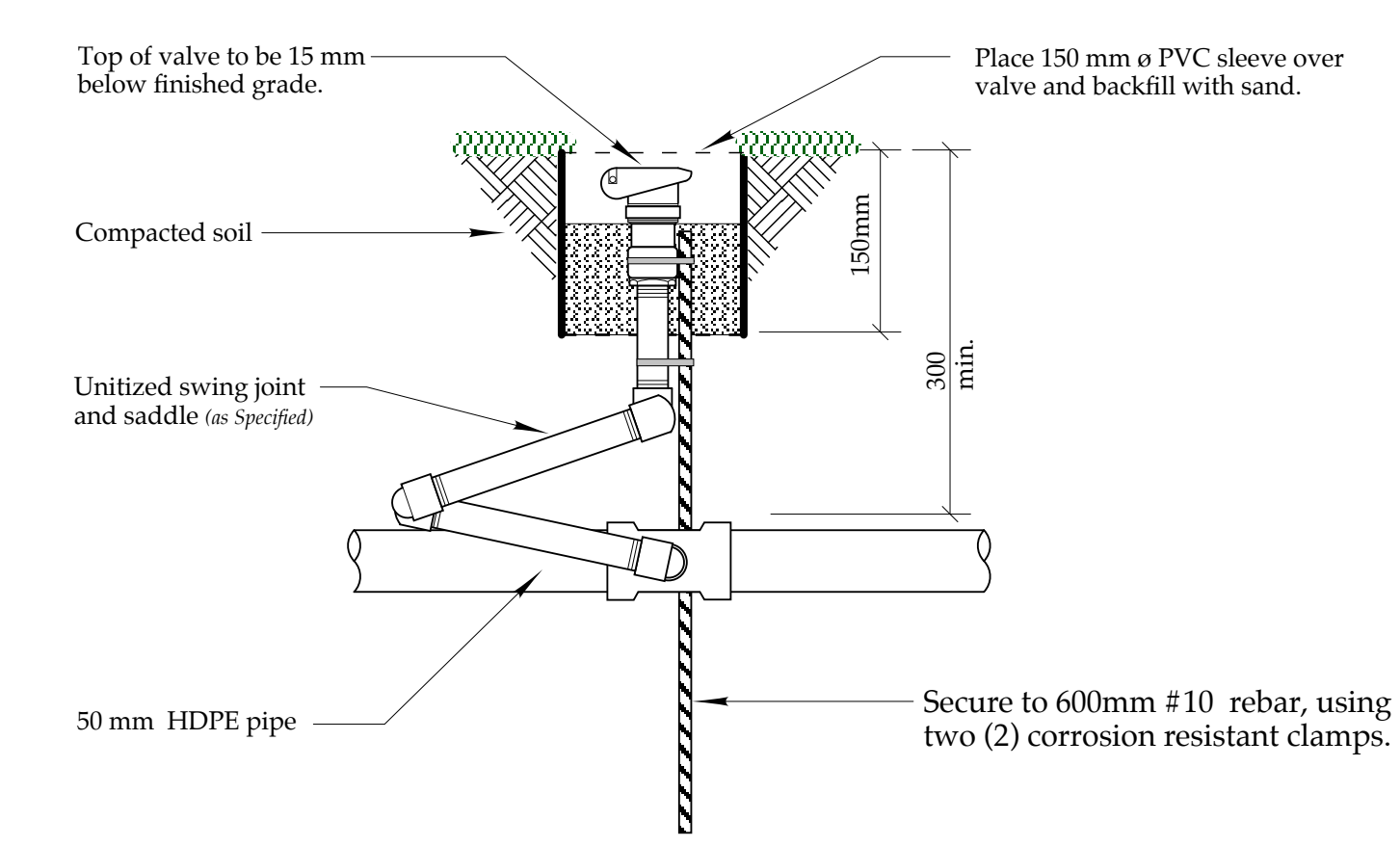
4
L3 **Drain Outlet Detail** Section
 Scale: 1 : 24



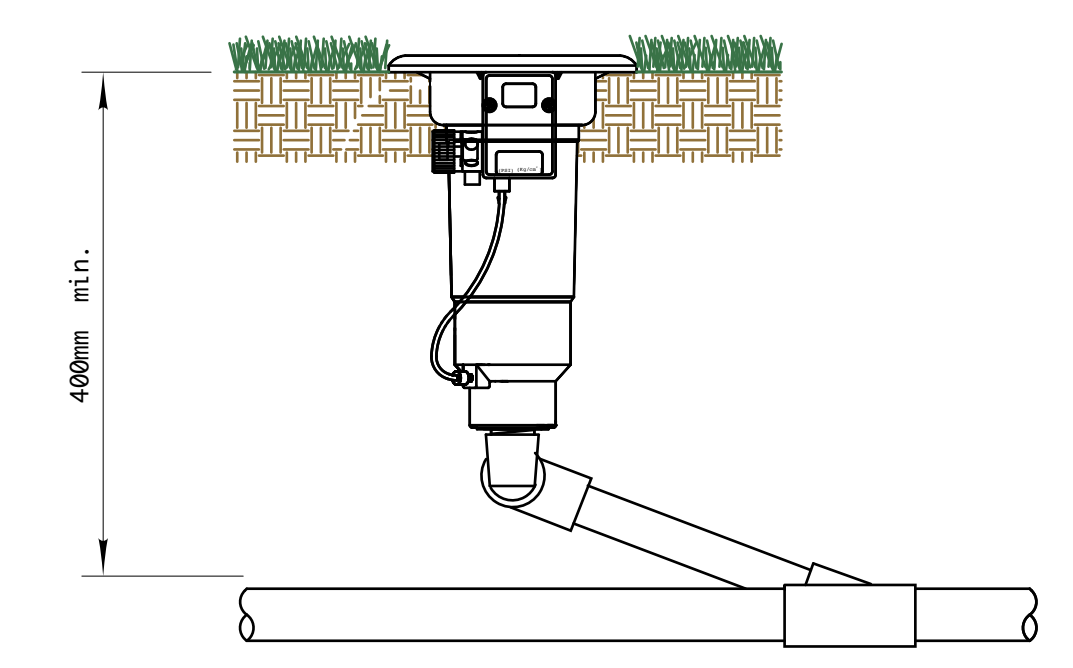
5
L3 **150mm Plastic Catch Basin Detail** Plan
 Scale: 1 : 6



6
L3 **Cart Path Section** Typical
 Scale: 1 : 12



7
L3 **QC Valve Installation Detail** Elevation
 Scale: 1 : 6



8
L3 **Irrigation Rotor Installation Detail** Elevation
 Scale: 1 : 6

GRANT GOLF

Golf Course Planning • Design • Construction Management
 Winnipeg, Manitoba R3R 3B1
 Ph: (204) 229-2419 • Email: grantgolf@mac.com

Project: **Crescent Drive Golf Course**
 781 Crescent Dr., Winnipeg, MB.
 Drawing Title: **Construction Details**

Notes: **Bid Opportunity 439-2015**

Scale: **As specified**
 North:

Drawn: **TK**
 Checked: **DG**
 Proj. No.: **14.09**

Date: **Mar. 27, 2015**
 Revisions: **April 29, 2016**
 Drawing No.: **L3**