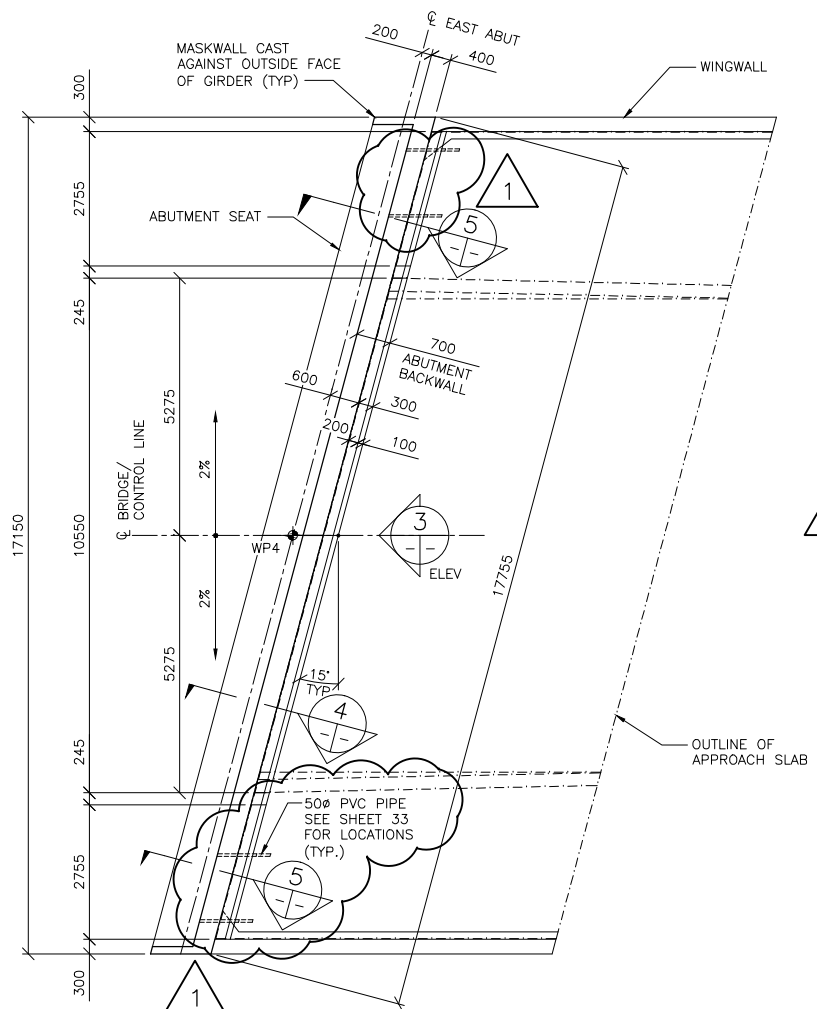
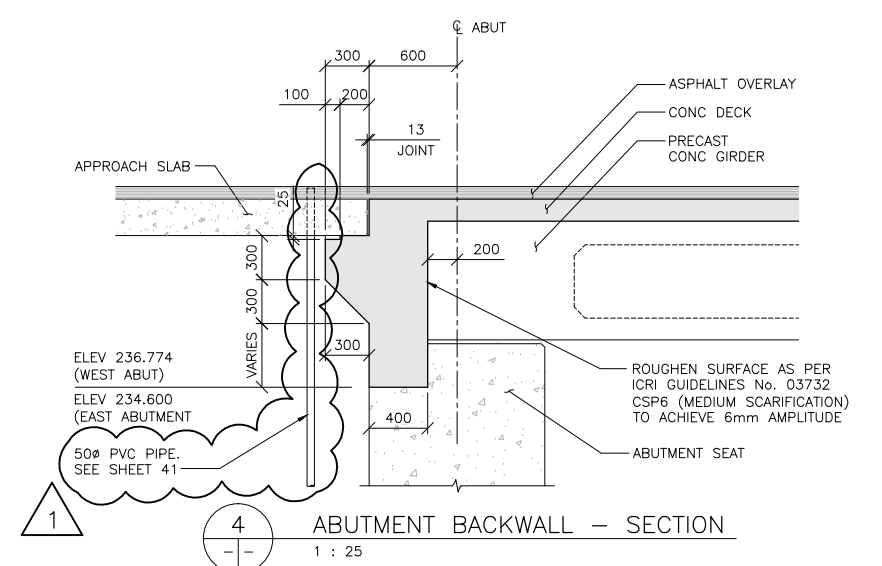


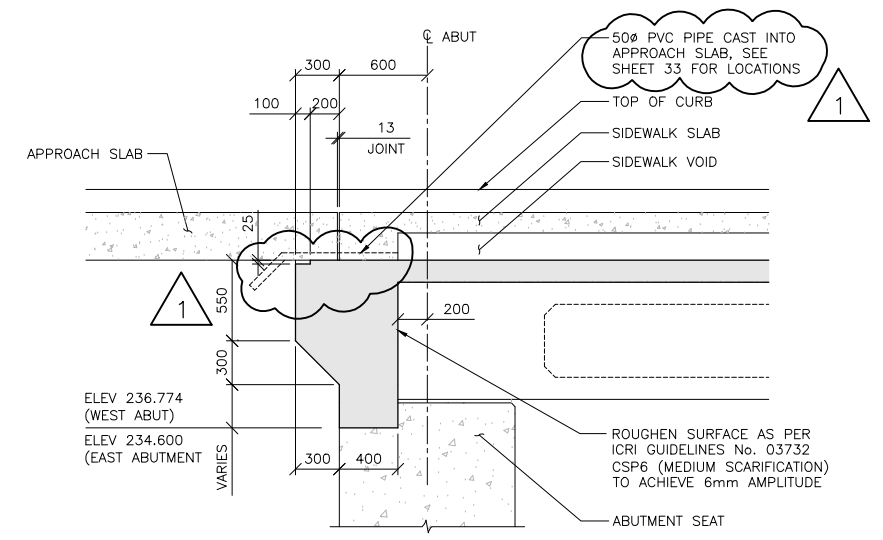
1 WEST ABUTMENT BACKWALL - PLAN
 1 : 75
 - CONC DECK, BARRIER AND SIDEWALK NOT SHOWN FOR CLARITY



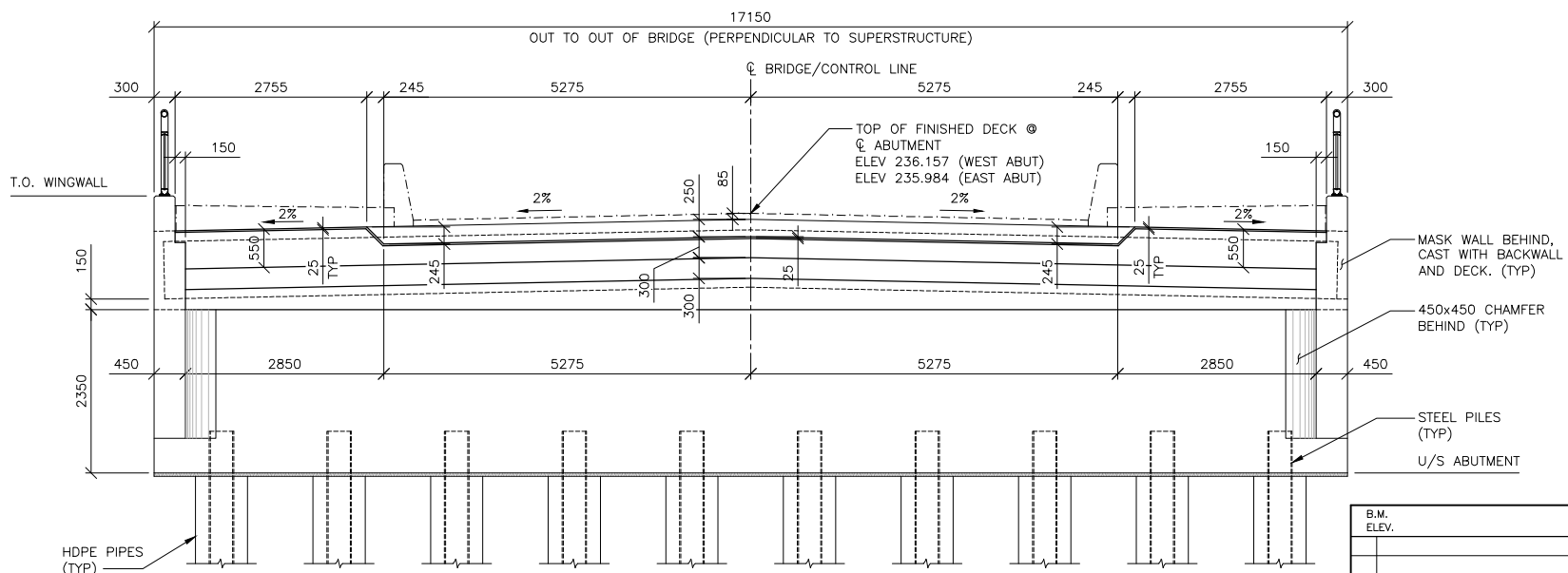
2 EAST ABUTMENT BACKWALL - PLAN
 1 : 75
 - CONC DECK, BARRIER AND SIDEWALK NOT SHOWN FOR CLARITY



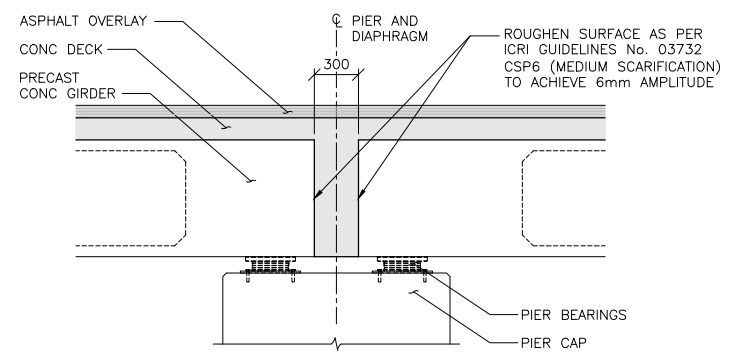
4 ABUTMENT BACKWALL - SECTION
 1 : 25



5 ABUTMENT BACKWALL - SECTION AT SIDEWALK
 1 : 25



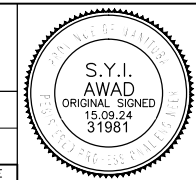
3 ABUTMENT BACKWALL - ELEVATION
 1 : 50
 - ALL DIMENSIONS TAKEN PERPENDICULAR TO SUPERSTRUCTURE



6 CAST IN PLACE DIAPHRAGM - SECTION
 1 : 25



B.M. ELEV.					
		DESIGNED BY	D.M.	CHECKED BY	S.A.
		DRAWN BY	G.I.	APPROVED BY	E.F.S.
1 ISSUED FOR ADDENDUM 1 0 ISSUED FOR TENDER NO. REVISIONS		DATE	15.10.08 15.09.24	DATE	15.09.24
15.10.08 15.09.24		DATE	15.09.24	DATE	15.09.24
ORIGINAL DRAWING SIGNED BY: D.N. BURMEY, P.ENG.		DATE	15.09.24	DATE	15.09.24
D.N. BURMEY, P.ENG. BRIDGE PROJECTS ENGINEER		DATE	15.09.24	DATE	15.09.24



THE CITY OF WINNIPEG
 PUBLIC WORKS DEPARTMENT
 ENGINEERING DIVISION

NESS AVENUE AT STURGEON CREEK
 BRIDGE CONSTRUCTION

CITY DRAWING NUMBER
 B243-15-032
 SHEET 32 OF 64

DECK - CONCRETE SECTIONS
 AND DETAILS

1400070800-DWG-S0032