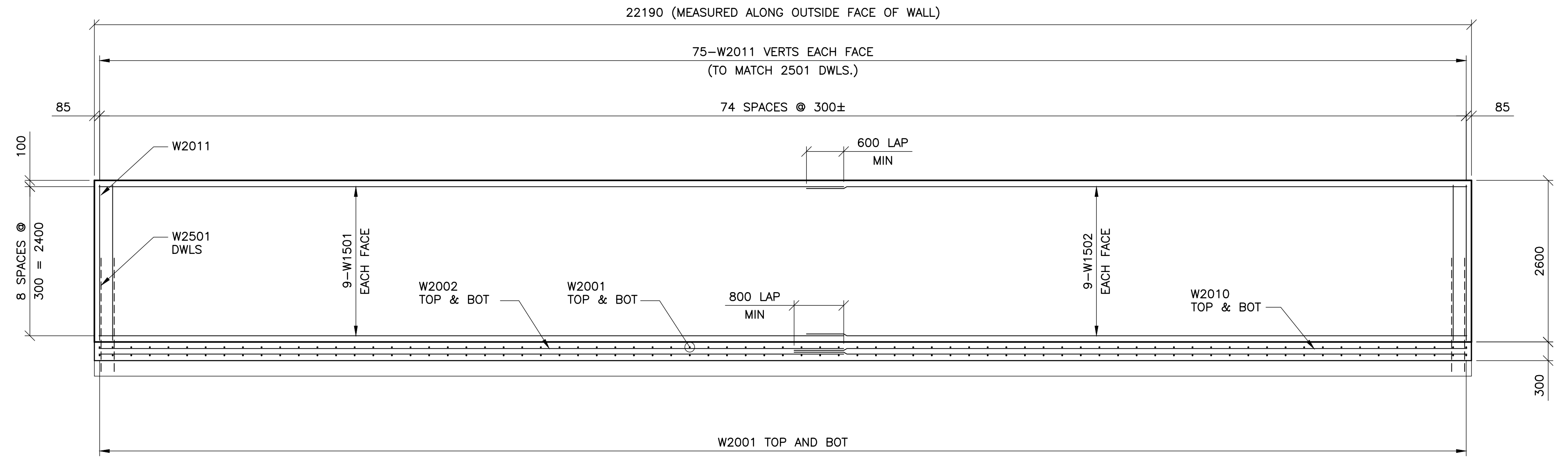
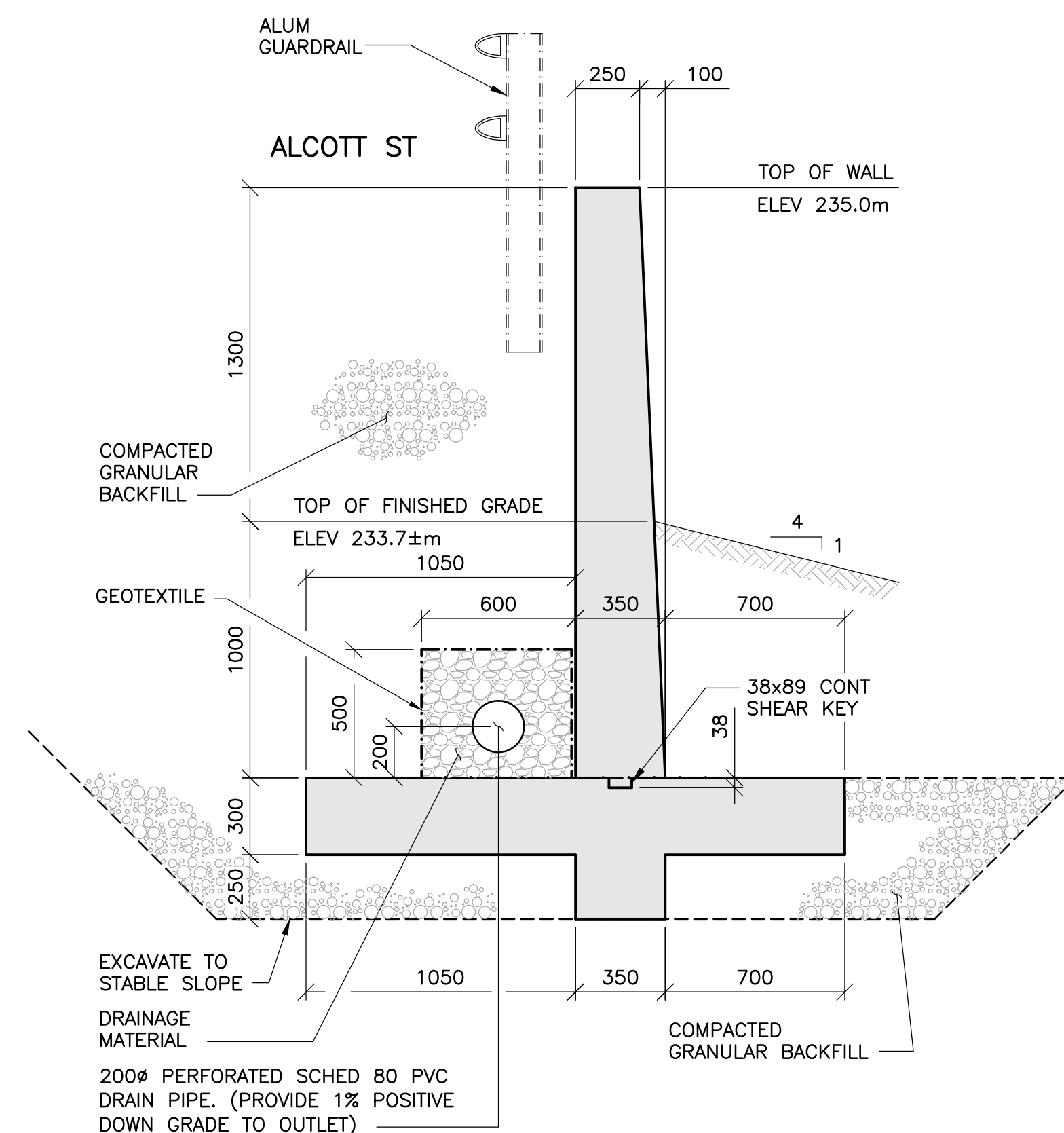


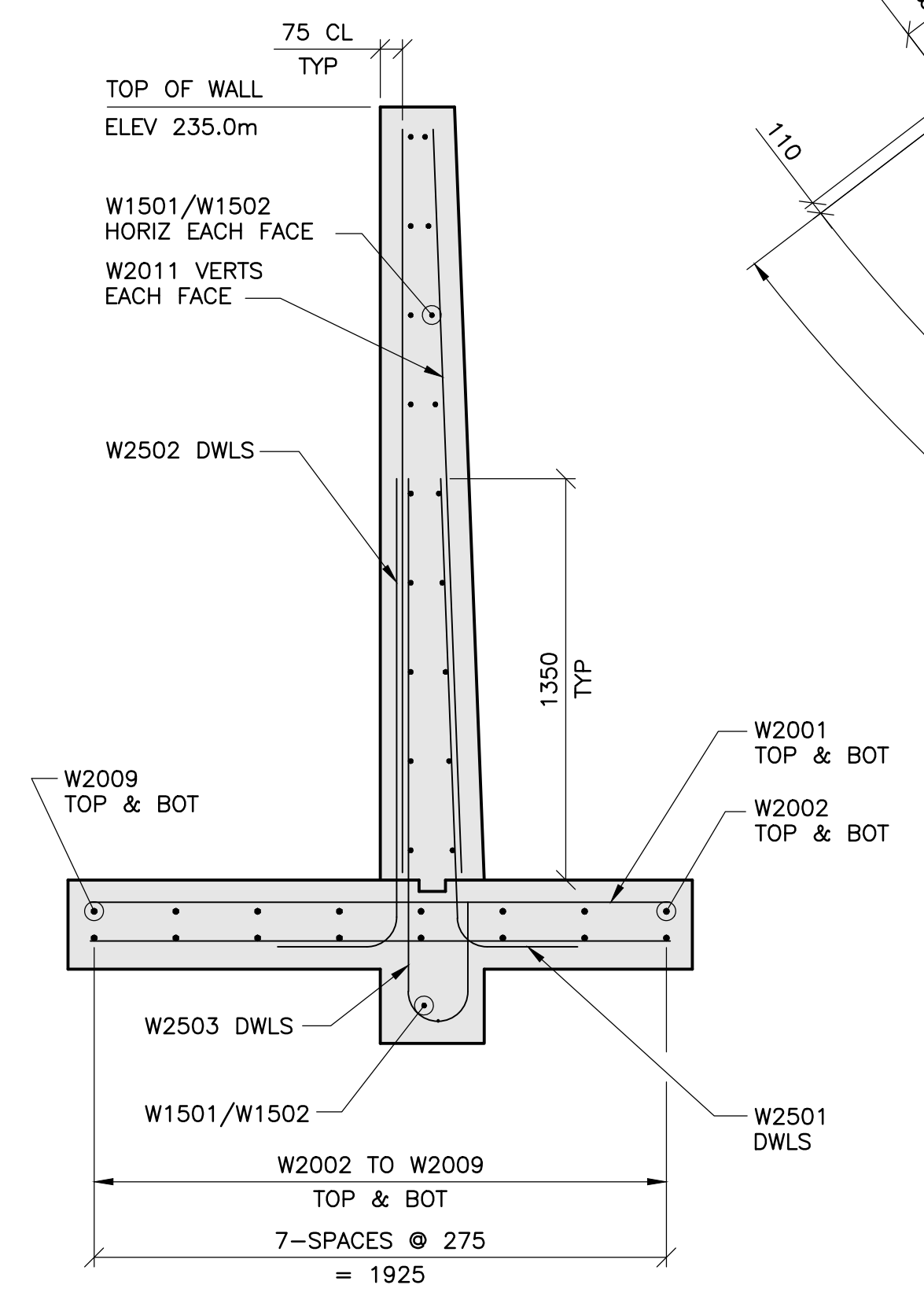
1 RETAINING WALL - PLAN
1 : 200



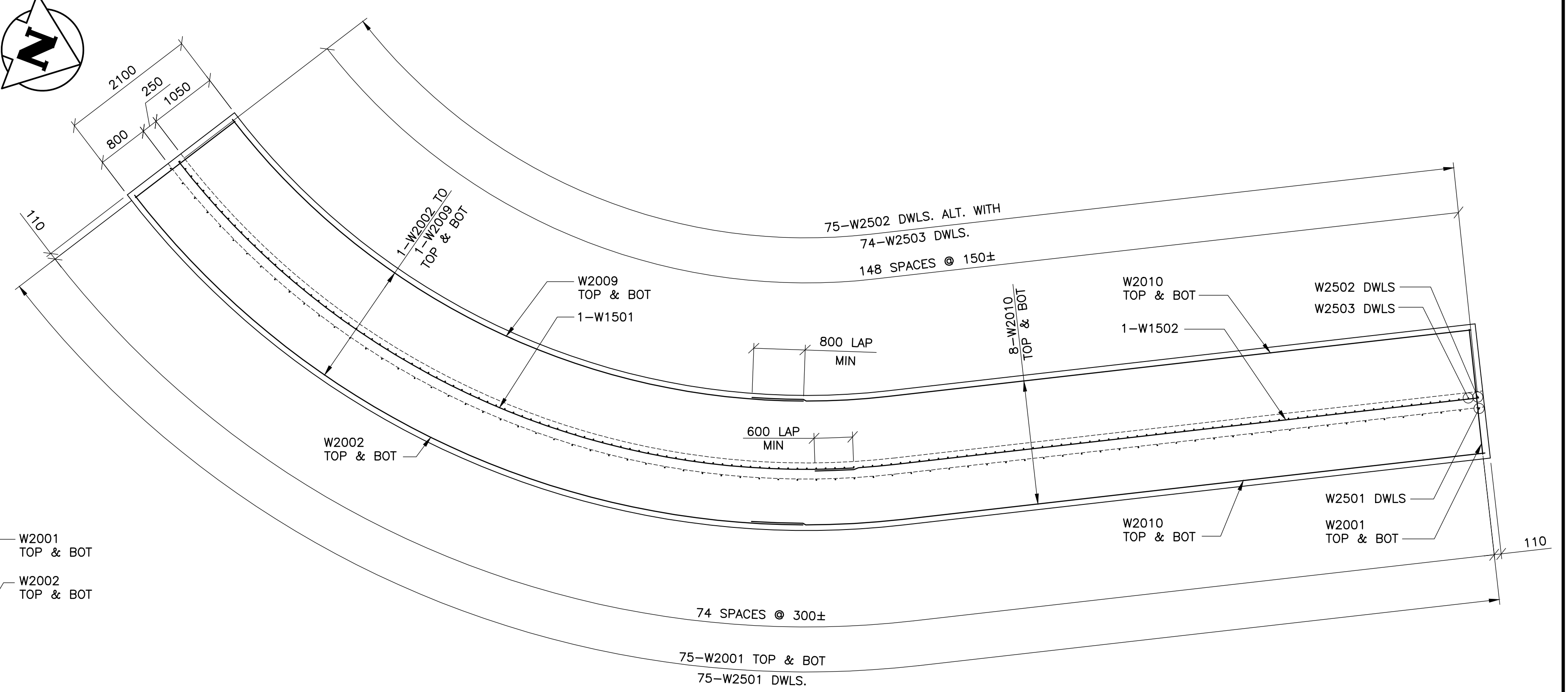
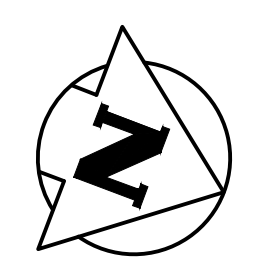
2 RETAINING WALL - ELEVATION
1 : 50



4 RETAINING WALL - SECTION
1 : 20



5 SECTION - REINFORCING
1 : 20

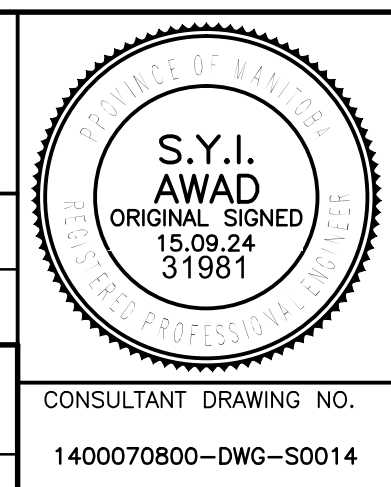


3 FOOTING PLAN - REINFORCING
1 : 50



NO.	REVISIONS	DATE	BY
0	ISSUED FOR TENDER	15.09.24	S.A.

TETRA TECH	
DESIGNED BY: D.M.	CHECKED BY: S.A.
DRAWN BY: G.I.	APPROVED BY: E.F.S.
HOR. SCALE: AS NOTED	ACCEPTED BY: DATE
VERTICAL: AS NOTED	ORIGINAL DRAWING SIGNED BY: D.N. BURMEY, P.ENG. 15.09.24
	D.N. BURMEY, P.ENG. BRIDGE PROJECTS ENGINEER



THE CITY OF WINNIPEG
PUBLIC WORKS DEPARTMENT
ENGINEERING DIVISION

NESS AVENUE AT STURGEON CREEK
BRIDGE CONSTRUCTION

EMBANKMENT RETAINING WALLS
PLAN, SECTIONS AND DETAILS

CITY DRAWING NUMBER
B243-15-014
SHEET 14 OF 64

CONSULTANT DRAWING NO.
1400070800-DWG-S0014

14