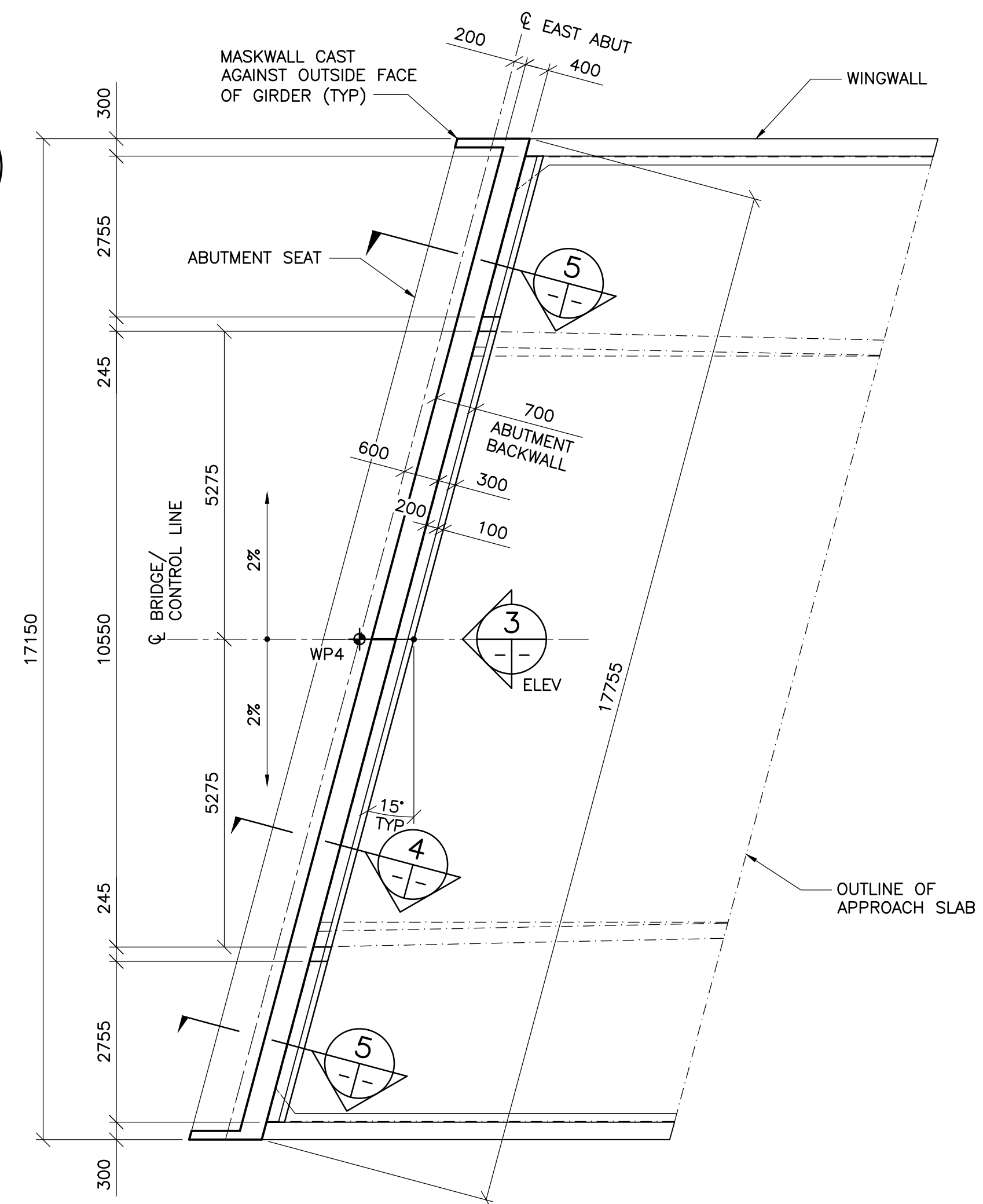
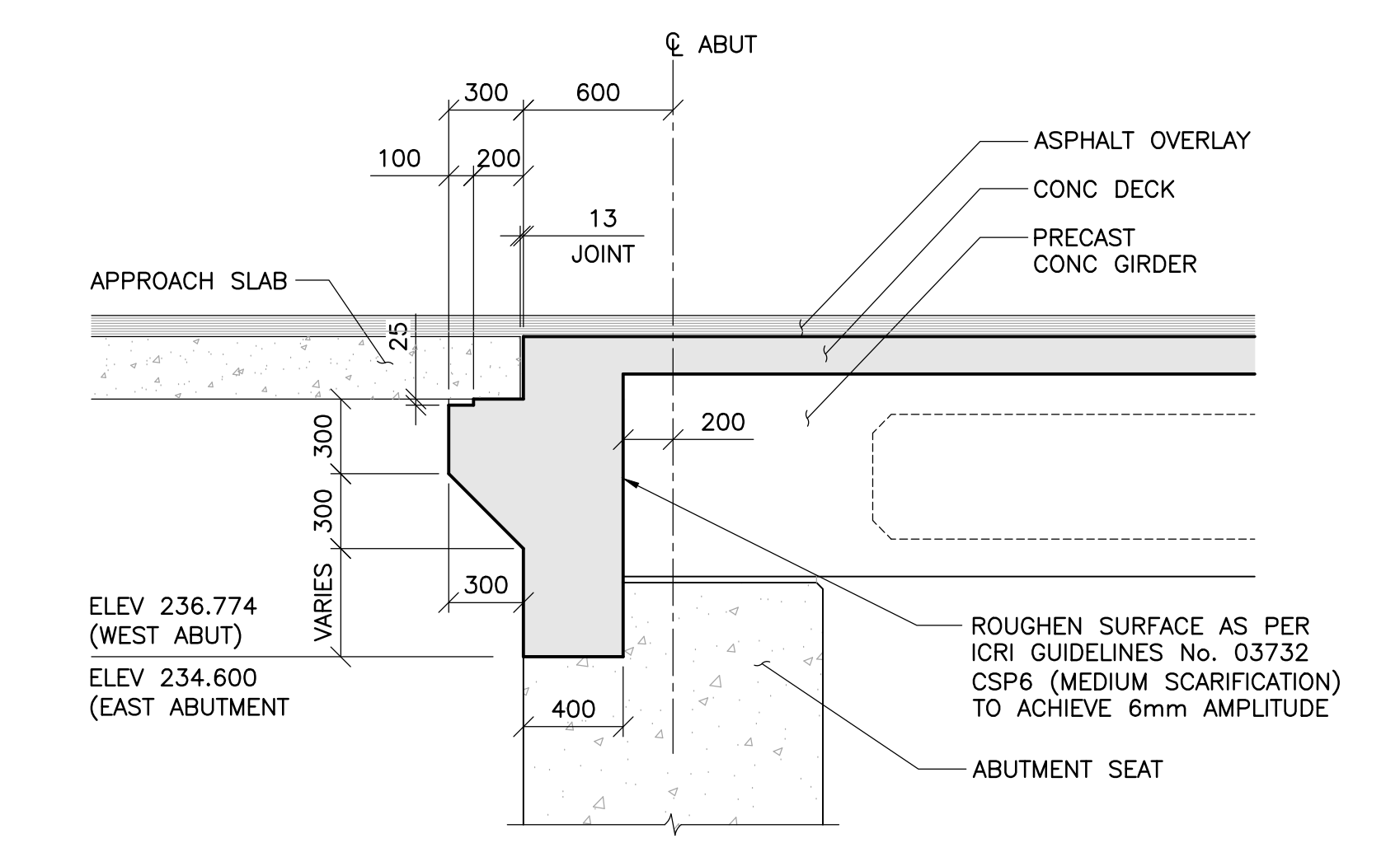


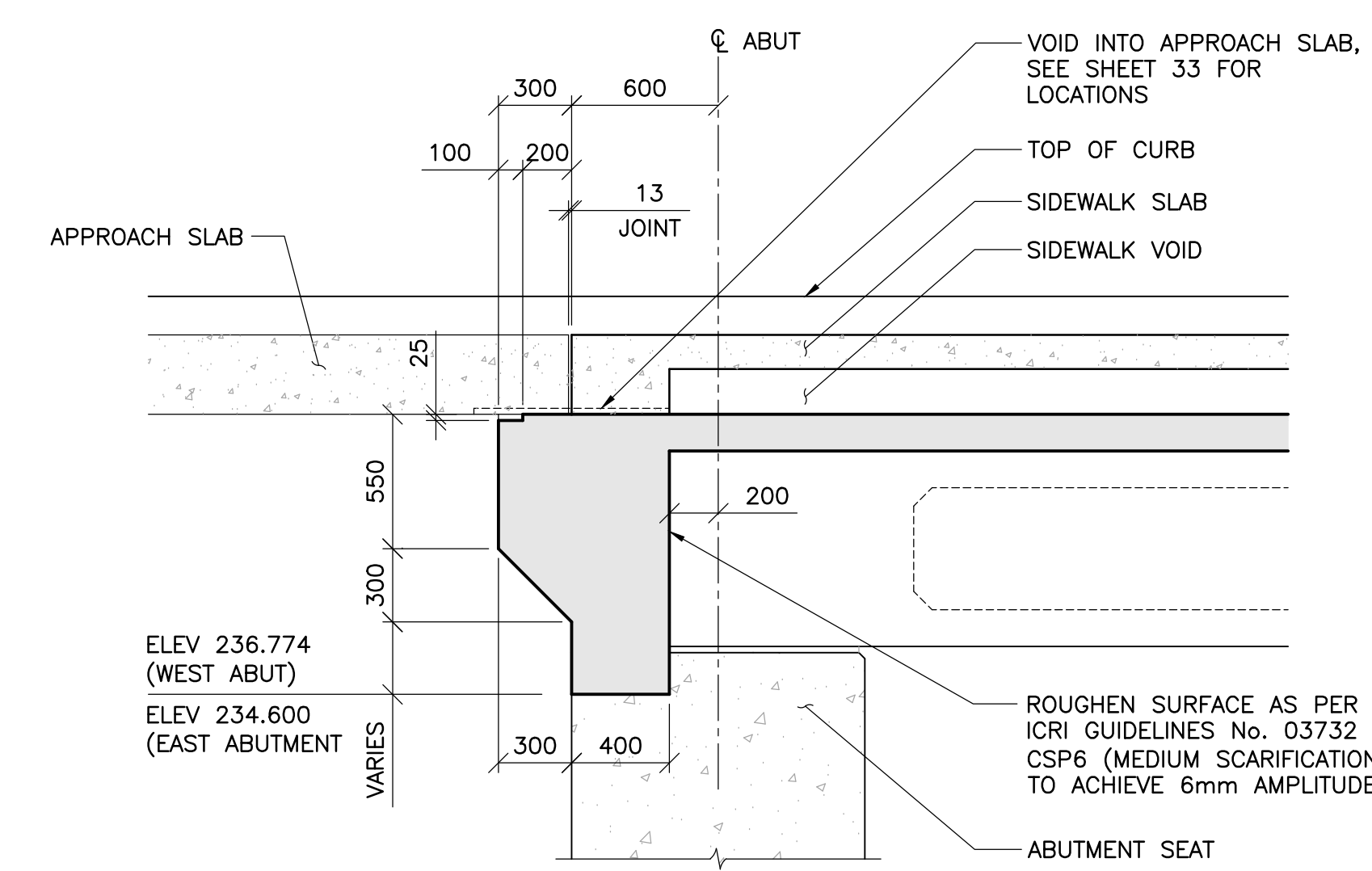
1 WEST ABUTMENT BACKWALL - PLAN
 1 : 75
 - CONC DECK, BARRIER AND SIDEWALK NOT SHOWN FOR CLARITY



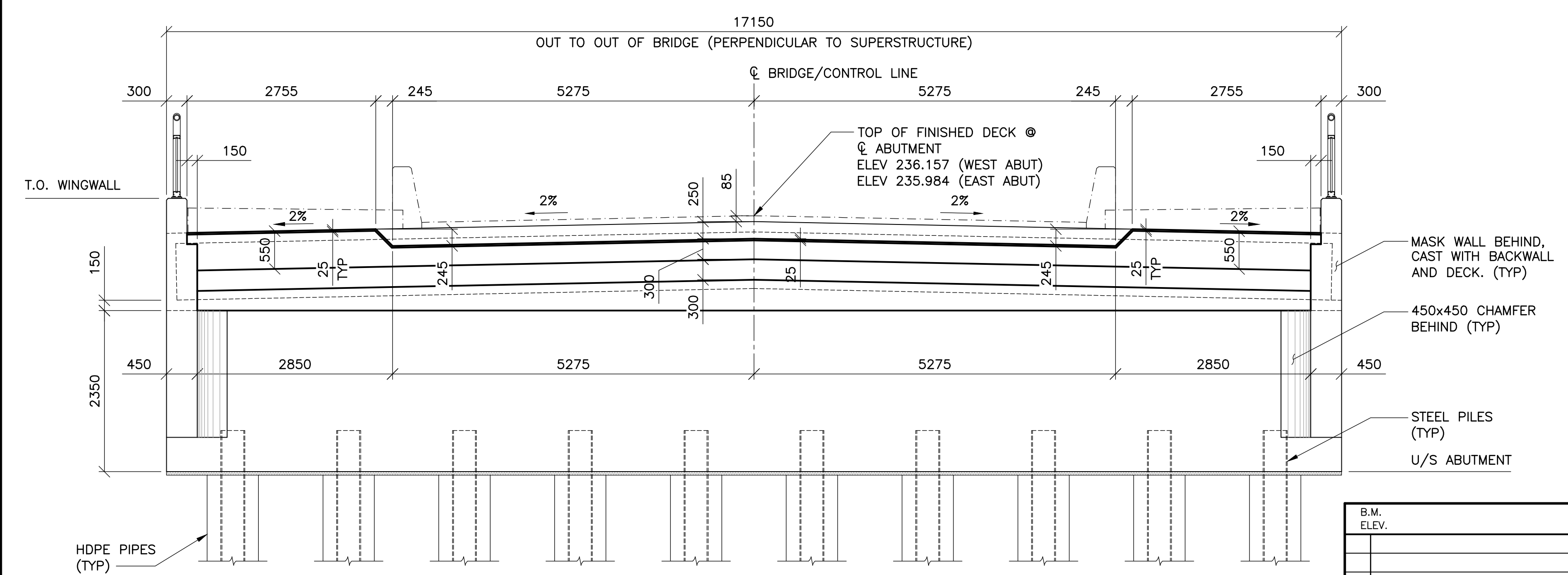
2 EAST ABUTMENT BACKWALL - PLAN
 1 : 75
 - CONC DECK, BARRIER AND SIDEWALK NOT SHOWN FOR CLARITY



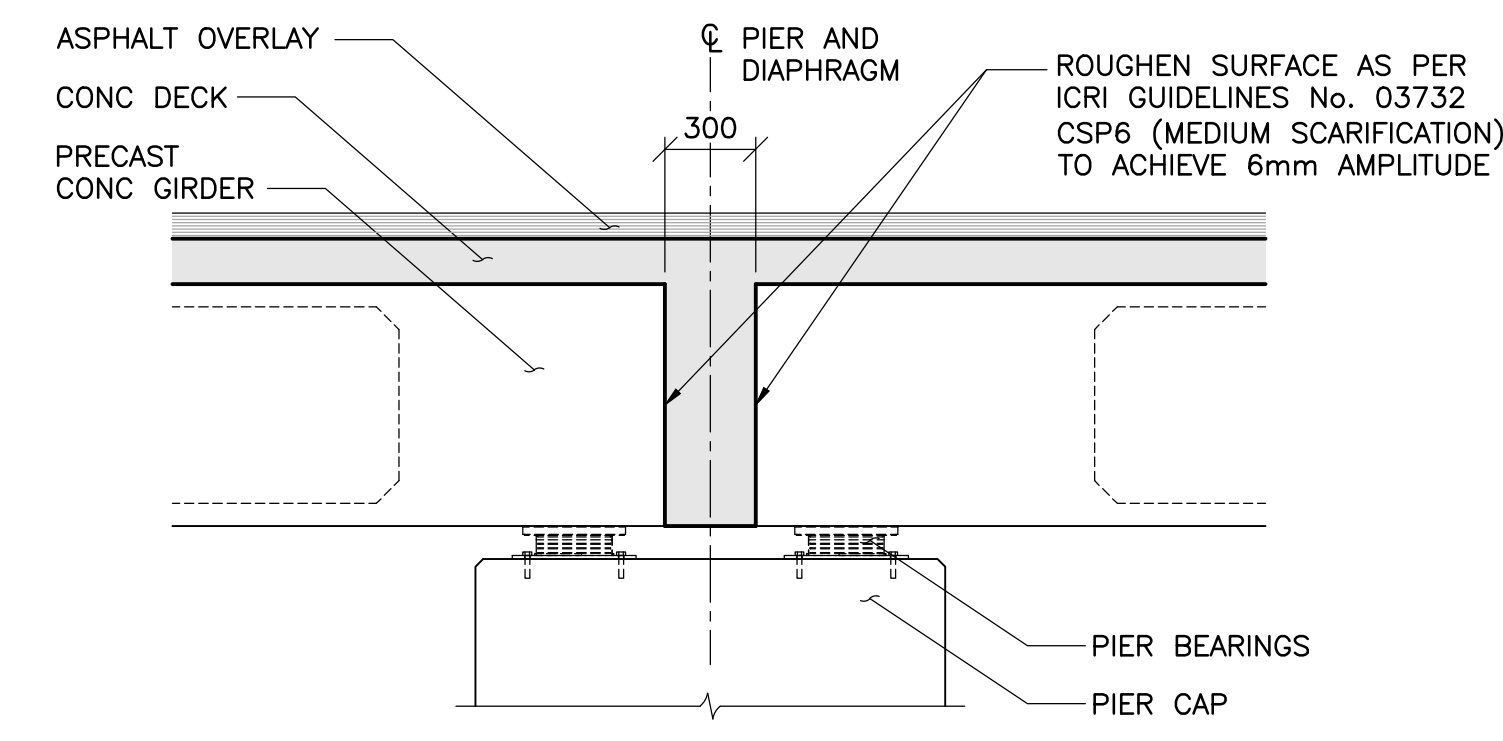
4 ABUTMENT BACKWALL - SECTION
 1 : 25



5 ABUTMENT BACKWALL - SECTION AT SIDEWALK
 1 : 25



3 ABUTMENT BACKWALL - ELEVATION
 1 : 50
 - ALL DIMENSIONS TAKEN PERPENDICULAR TO SUPERSTRUCTURE

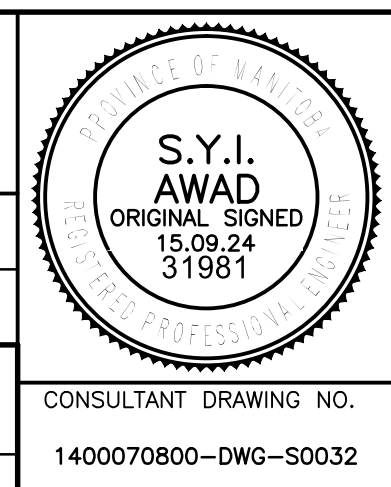


6 CAST IN PLACE DIAPHRAGM - SECTION
 1 : 25



B.M. ELEV.			
0	ISSUED FOR TENDER	15.09.24	S.A.
NO.	REVISIONS	DATE	BY
		15.09.24	

TETRA TECH	
DESIGNED BY D.M.	CHECKED BY S.A.
DRAWN BY G.I.	APPROVED BY E.F.S.
HOR. SCALE: AS NOTED	DATE 15.09.24
VERTICAL: AS NOTED	ORIGINAL DRAWING SIGNED BY: D.N. BURMEY, P.ENG.
	ACCEPTED BY DATE 15.09.24
	D.N. BURMEY, P.ENG. BRIDGE PROJECTS ENGINEER



THE CITY OF WINNIPEG PUBLIC WORKS DEPARTMENT ENGINEERING DIVISION	
NESS AVENUE AT STURGEON CREEK BRIDGE CONSTRUCTION	CITY DRAWING NUMBER B243-15-032 SHEET 32 OF 64
DECK - CONCRETE SECTIONS AND DETAILS	
32	