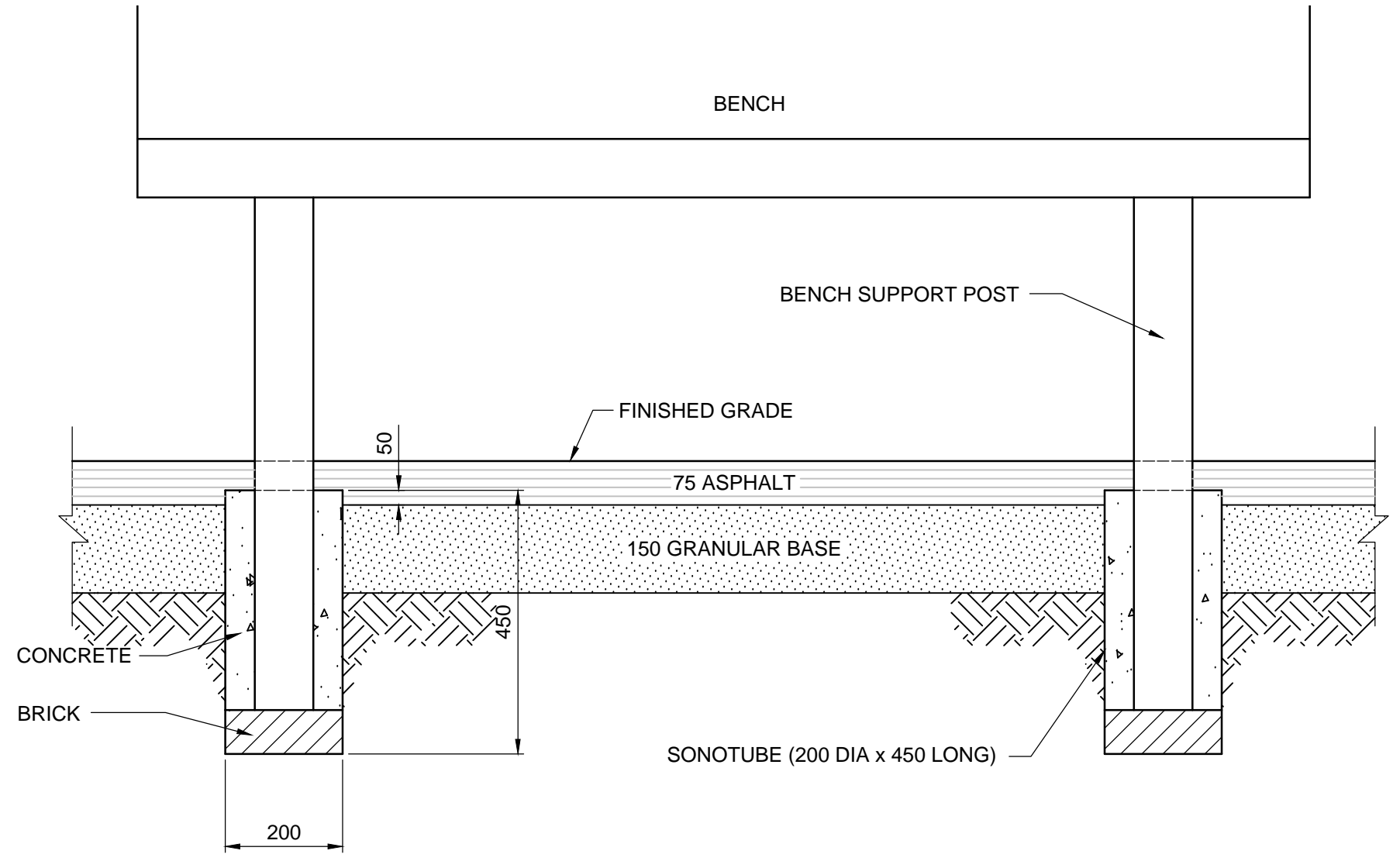
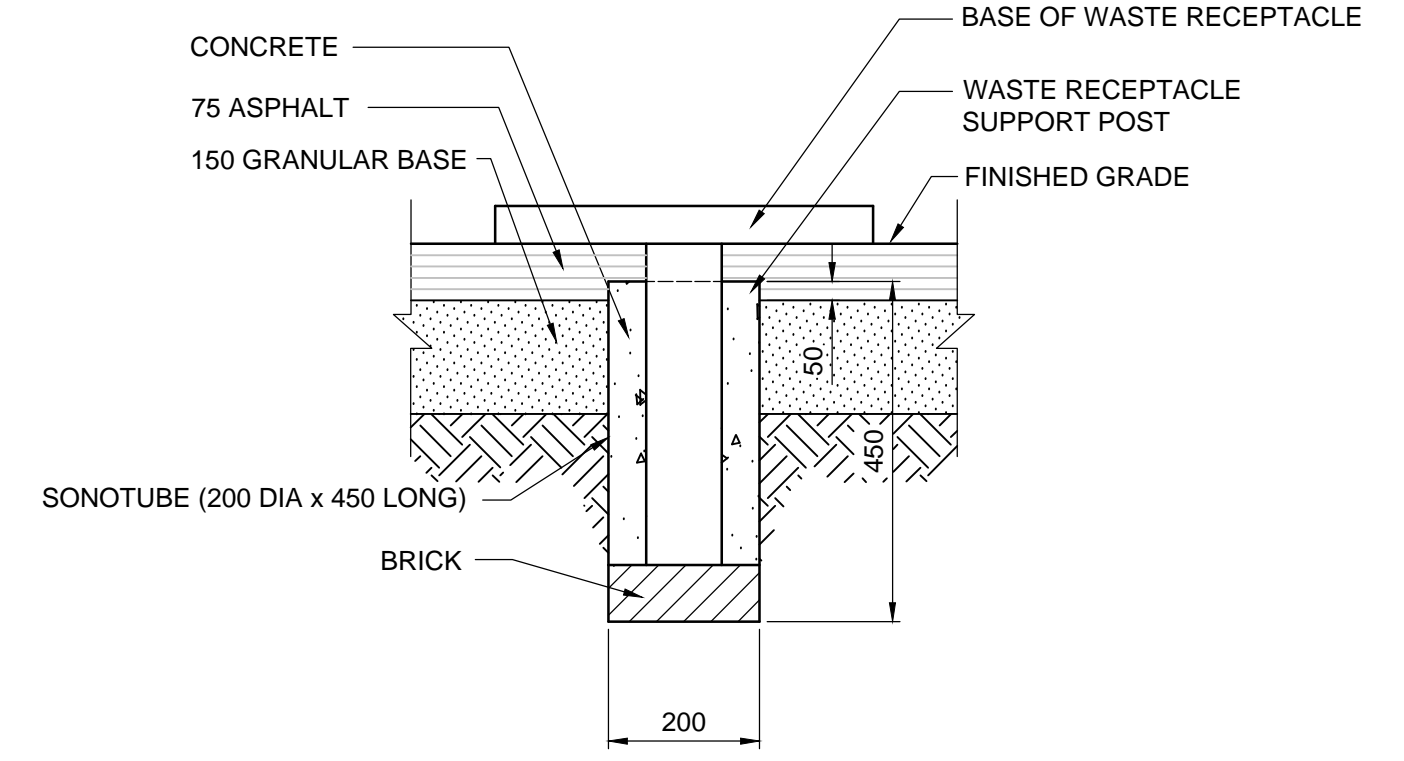


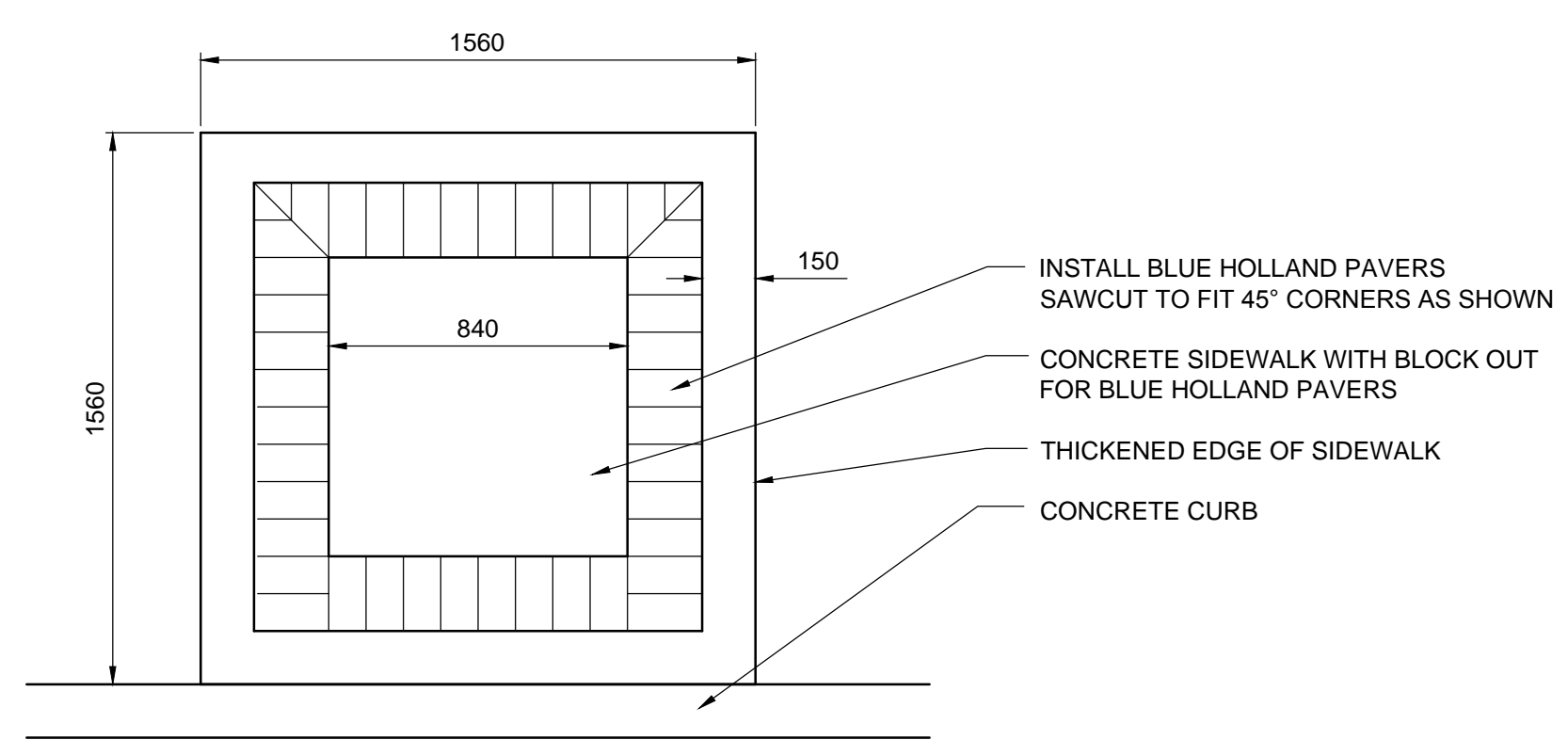
1 ASPHALT PATHWAY REST AREA
1 : 50



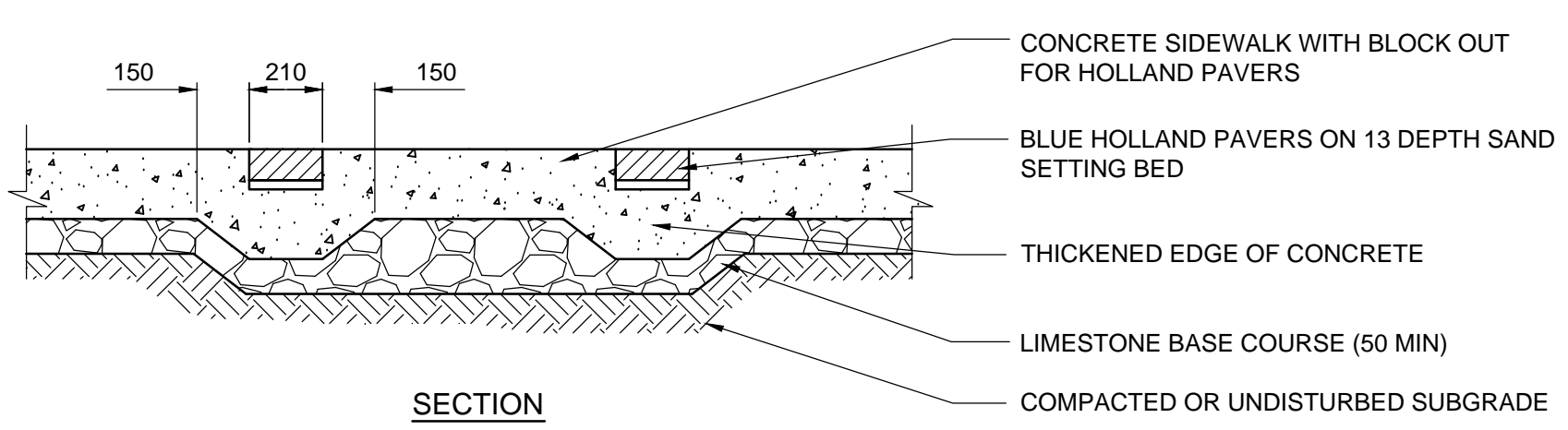
2 BENCH (INGROUND MOUNTING)
1 : 10



3 WASTE RECEPTACLE (INGROUND MOUNTING)
1 : 10

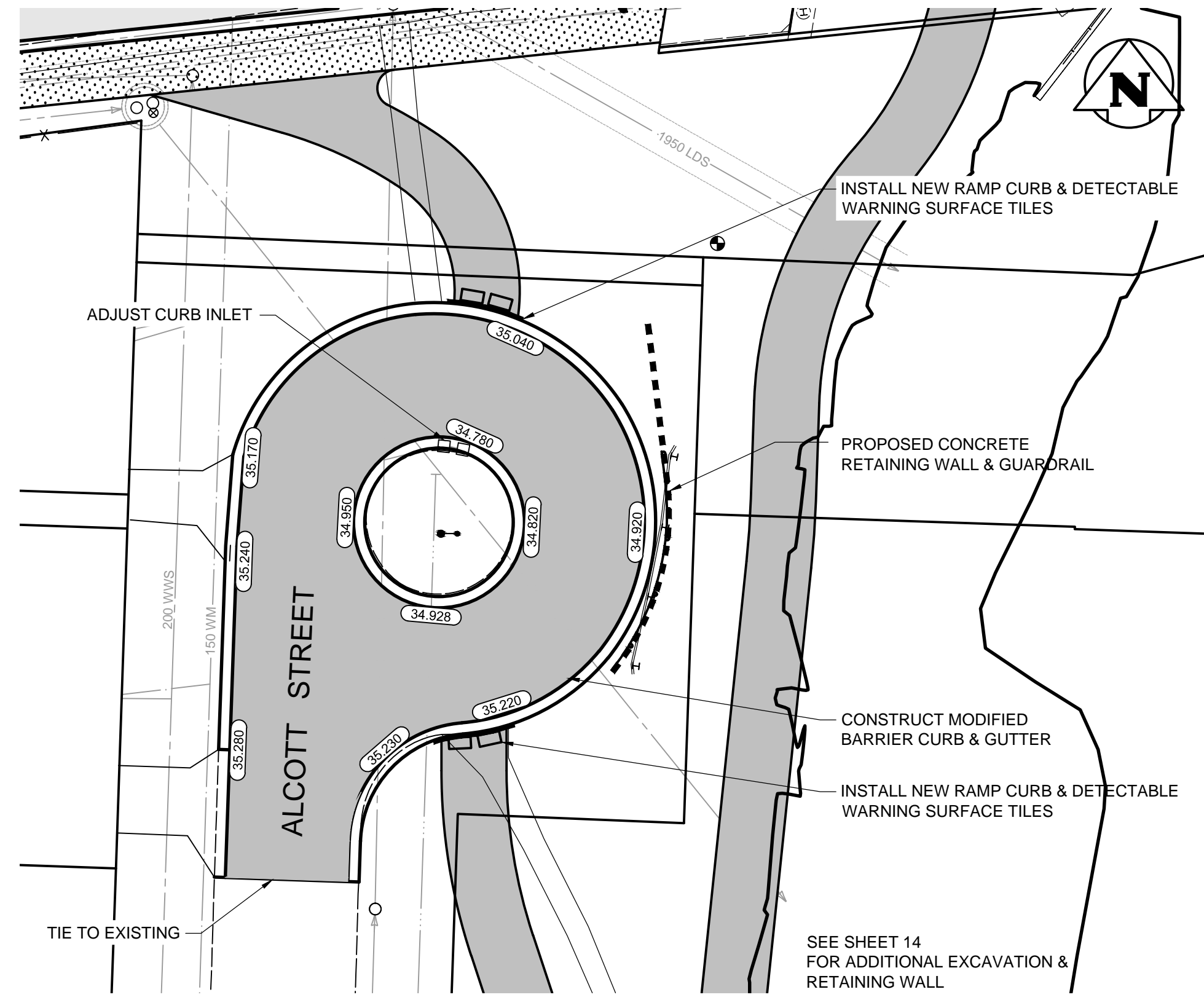


PLAN

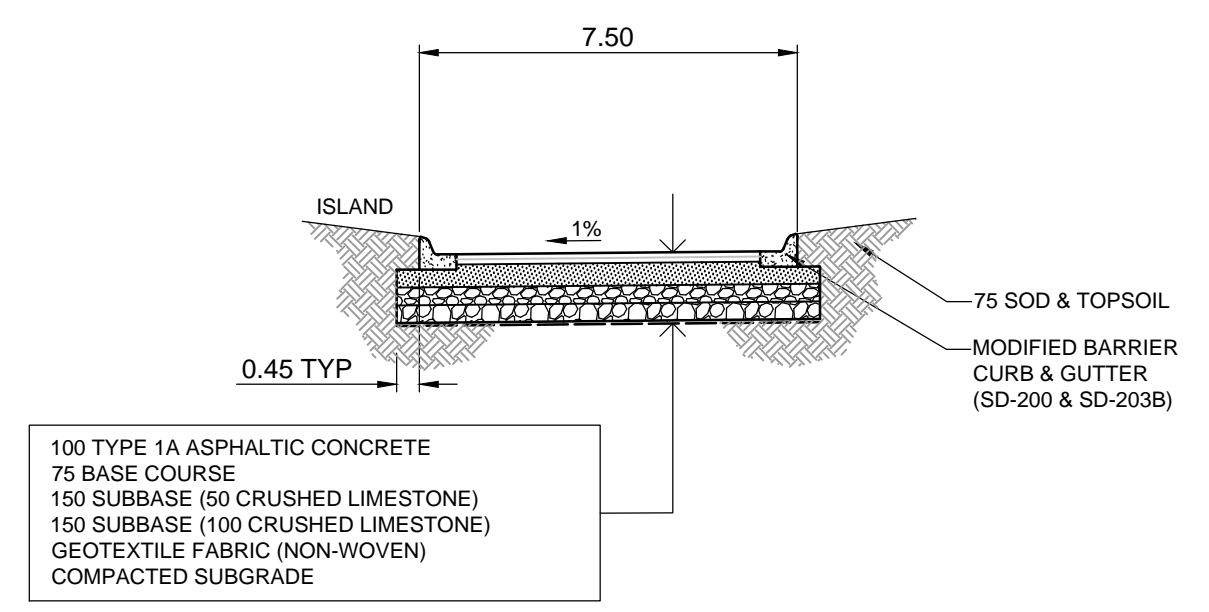


SECTION

4 BUS STOP WITH CONCRETE SIDEWALK AND UNIT PAVERS
1 : 10



5 ALCOTT STREET DETAIL
1 : 250



6 NESS AVENUE - WHARTON TO SCHOOL
TYPICAL ROAD RECONSTRUCTION
HOR 1 : 150, VER 1 : 75



B.M. ELEV.		TETRA TECH	DESIGNED BY: GAC DRAWN BY: GMD HOR. SCALE: AS NOTED VERTICAL: AS NOTED DATE: 15.09.24	CHECKED BY: GAC APPROVED BY: EFS ACCEPTED BY: DATE: 15.09.24 ORIGINAL DRAWING SIGNED BY: D.N. BURNEY, P.ENG. D.N. BURNEY, P.ENG. BRIDGE PROJECTS ENGINEER		THE CITY OF WINNIPEG PUBLIC WORKS DEPARTMENT ENGINEERING DIVISION	CITY DRAWING NUMBER P-3465-15-009 SHEET 56 OF 64
0 ISSUED FOR TENDER	15.09.24						