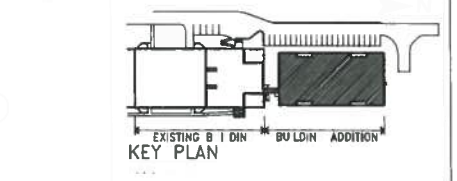


6 VAPOUR BARRIER DETAIL  
A1.3 SCALE 1:10



- DRAWING MUST NOT BE USED FOR CONSTRUCTION WITHOUT THE SIGNATURE OF THE ARCHITECT
- THE ARCHITECT'S RESPONSIBILITY IS LIMITED TO THE DESIGN AND CONSTRUCTION OF THE BUILDING ADDITION
- THE CLIENT IS RESPONSIBLE FOR OBTAINING ALL NECESSARY PERMITS AND APPROVALS
- THE ARCHITECT IS NOT RESPONSIBLE FOR THE DESIGN OR CONSTRUCTION OF ANY EXISTING STRUCTURE

ISSUED FOR TENDER	7 MAY 2003
55% REVIEW DRAWING	4 APR 2003

**Number TEN Architectural Group**  
 310-116 Rossmore Ave  
 Marling, Manitoba  
 Canada R2B 0A3  
 Phone (204) 643-0001  
 Fax (204) 647-2828  
 E-mail 10@number10.com

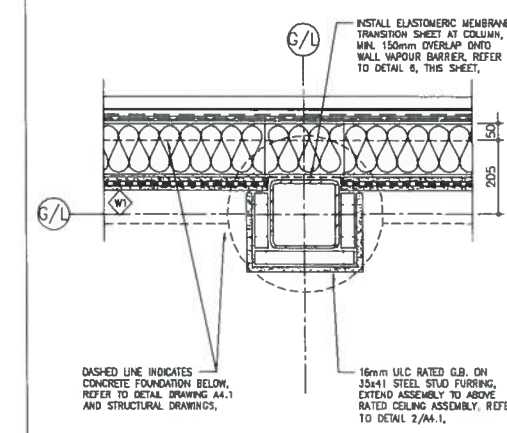
**ST. JAMES-ASSINIBOIA CENTENNIA POOL FITNESS FACILITY ADDITION**

PROJECT: 644 PARADEALE

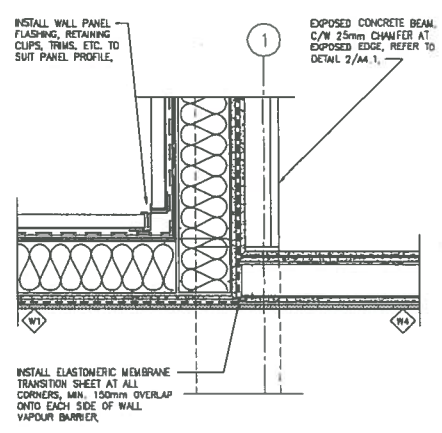
**GROUND FLOOR BUILDING A 11**

ARCHITECTURAL SEAL	SCALE	AS NOTED
DATE	DATE	MAY 2003
10/2003 02049	DRAWING NO.	A1.3

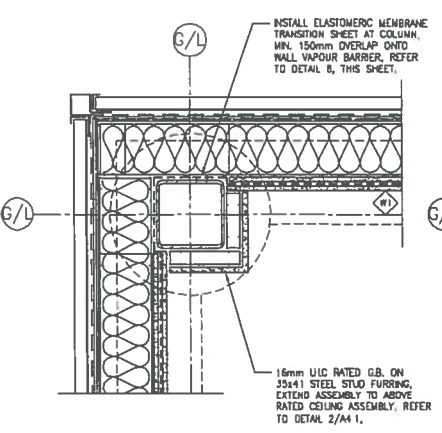
1 ADDITION GROUND FLOOR PLAN  
A1.3 SCALE 1:100



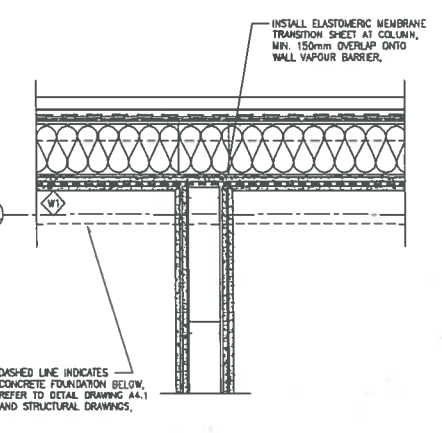
2 COLUMN AT EXTERIOR WALL DETAIL  
A1.3 SCALE 1:10



3 EXTERIOR WALLS AT RAMP DETAIL  
A1.3 SCALE 1:10



4 TYPICAL EXTERIOR CORNER DETAIL  
A1.3 SCALE 1:10



5 INTERIOR AT EXTERIOR WALL DETAIL  
A1.3 SCALE 1:10

- LEGEND**
- ① SEE A1.2 FOR CONSTRUCTION NOTES
  - W1 WALL TYPE SEE A1.3 FOR WALL SCHEDULE
  - EXISTING WALLS
  - NEW FRAMED WALL CONSTRUCTION
  - NEW CONCRETE WALL CONSTRUCTION
  - NEW DOOR
  - EXISTING DOOR

- WALL TYPES:**
- EXTEND C.W.B. TO UNDERSIDE OF FLOOR DECK ABOVE.
  - INSTALL SELF-ADHERING VAPOUR BARRIER STRIPS AT ALL TRANS.
  - GASKET TOP AND BOTTOM PLATES OF ALL RATED PARTITIONS
- W1 PRE FINISHED METAL CLADDING HORIZONTAL MOISTURE BARRIER, BUILDING WRAP 13mm OSB SHEATHING 35x152 STEEL STUDS @ 600 O.C. 150mm FIBERGLASS BATT INS LATION, R-22 13mm EXTERIOR G.W.B., TAPED 6mm POLY VAPOUR BARRIER 13mm G.W.B., SEE FINISH SCHEDULES \* INDICATES FWP N LUJ OF 13mm G.W.B (EXTERIOR SI)
  - W2 PRE FINISHED METAL CLADDING HORIZONTAL MOISTURE BARRIER, BUILDING WRAP 13mm OSB SHEATHING 35x152 STEEL STUDS @ 600 O.C. 150mm FIBERGLASS BATT INS LATION, R-22 13mm EXTERIOR G.W.B., TAPED 6mm POLY VAPOUR BARRIER 35x41 STEEL STUDS @ 400mm O.C. 13mm G.W.B., SEE FINISH SCHEDULES
  - W3 PRE FINISHED METAL CLADDING HORIZONTAL MOISTURE BARRIER, BUILDING WRAP 13mm OSB SHEATHING 35x152 STEEL STUDS @ 600 O.C. 150mm FIBERGLASS BATT INS LATION, R-22 13mm EXTERIOR G.W.B., TAPED 6mm POLY VAPOUR BARRIER 13mm G.W.B., SEE FINISH SCHEDULES
  - W4 9mm FWP PANELING, FULL HEIGHT 6mm C.W.B. 35x42 STEEL STUDS @ 400mm O.C. 6 SOUND ATTENUATION BLANKET, CREASED 6mm G.W.B. \* INDICATES TO DELETE SOUND ATTENUATION BLANKET
  - W5 8mm W.B. 5x92 STEEL STUDS @ 400mm O.C. 6 NO ATTENUATION BLANKET, CREASED 16mm C.W.B.
  - W6 16mm C.W.B. 35x42 STEEL STUDS @ 400mm O.C. 18mm W.B.
  - W7 16mm RATED G.W.B. 35x42 STEEL STUDS @ 400mm O.C. 16mm RATED G.W.B. APED
  - W8 180mm CONCRETE BLOCK
  - W9 40m CONCRETE BLOCK
  - W10 6 C.W.B AFFIXED TO EXISTING WALL
  - W11 PRE FINISHED METAL CLADDING, HORIZONTAL AFFIXED EXISTING WALL

EXISTING BUILDING REFER TO DWG. A-1.2 ALLS TO DURING

BUILDING ADDITION REFER TO DWG. A-1.3

DASHED LINE INDICATES CONCRETE FOUNDATION BELOW. REFER TO DETAIL DRAWING A4.1 AND STRUCTURAL DRAWINGS.

16mm U.L.C. RATED G.B. ON 35x41 STEEL STUD FURRING. EXTEND ASSEMBLY TO ABOVE RATED CEILING ASSEMBLY. REFER TO DETAIL 2/A.1.

16mm U.L.C. RATED G.B. ON 35x41 STEEL STUD FURRING. EXTEND ASSEMBLY TO ABOVE RATED CEILING ASSEMBLY. REFER TO DETAIL 2/A.1.

DASHED LINE INDICATES CONCRETE FOUNDATION BELOW. REFER TO DETAIL DRAWING A4.1 AND STRUCTURAL DRAWINGS.