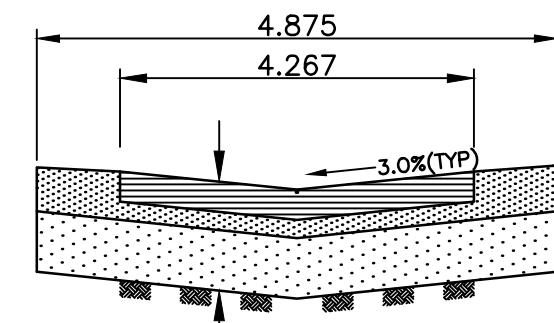
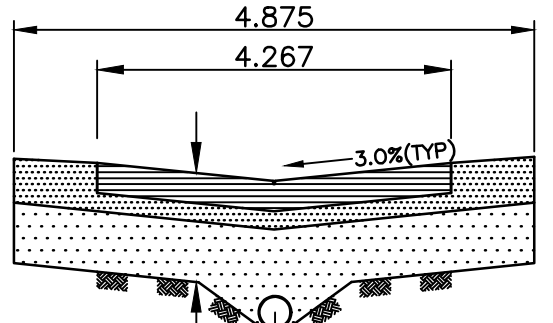


- NOTES:**
- ISOLATE EXISTING HYDRO POLES AS DIRECTED BY CONTRACT ADMINISTRATOR
  - RENEW EXISTING APPROACHES AS DIRECTED BY CONTRACT ADMINISTRATOR
  - ADDITIONAL EXCAVATION AND INSTALLATION OF SUBGRADE GEOGRID TO BE DETERMINED BY CONTRACT ADMINISTRATOR
  - ADJUSTMENTS TO PROPOSED CROSSFALL, WHERE REQUIRED, ARE TO BE DETERMINED BY CONTRACT ADMINISTRATOR TO SUIT EXISTING DRIVEWAYS, APPROACHES, ETC.
  - ALL LAND DRAINAGE SEWER EXCAVATION TO BE JETTED, FLOODED AND TAMPED AS PER CW2030-R7



50mm TYPE 1A ASPHALT  
 75mm TYPE III ASPHALT  
 75mm BASE COURSE  
 300mm - 50mm SUBBASE  
 SUBGRADE GEOTEXTILE  
 SUBGRADE GEOGRID (AS REQUIRED)

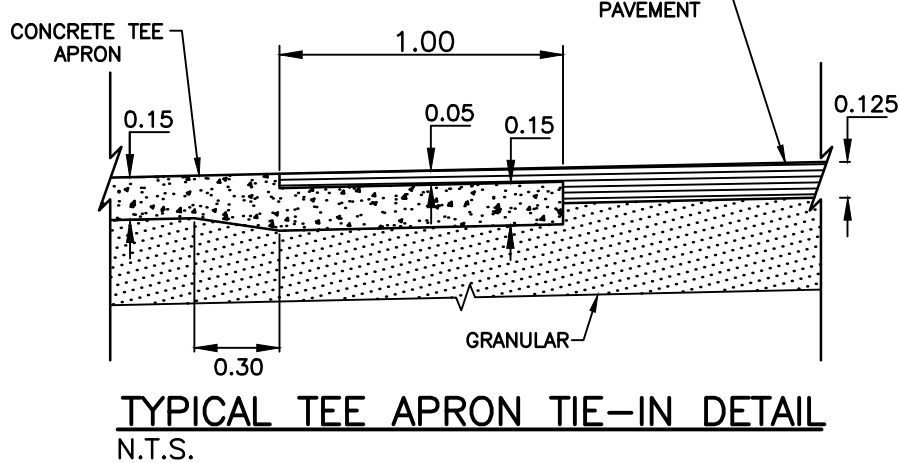
**TYPICAL ALLEY CROSS SECTION**  
N.T.S.



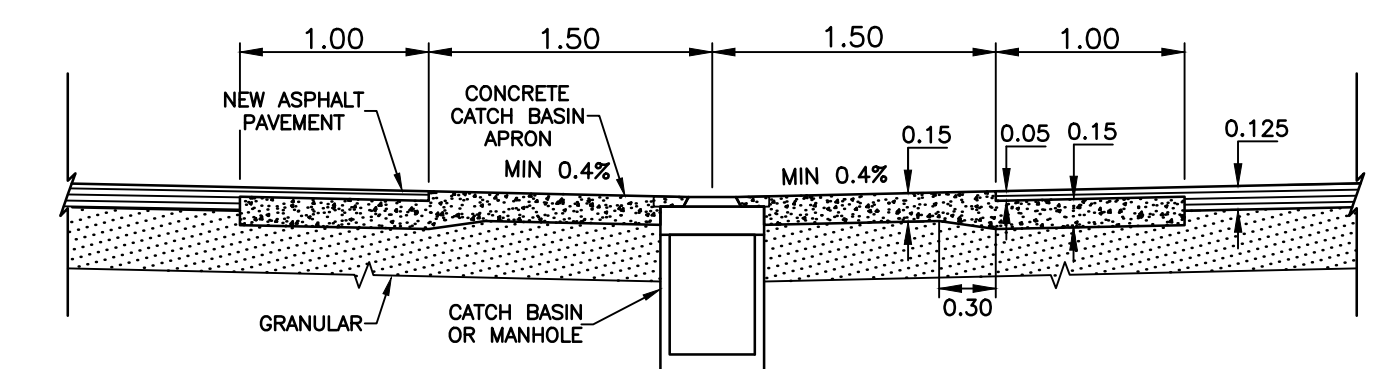
150mm PVC SUBDRAIN  
 50mm TYPE 1A ASPHALT  
 75mm TYPE III ASPHALT  
 75mm BASE COURSE  
 300mm - 50mm SUBBASE  
 SUBGRADE GEOTEXTILE  
 SUBGRADE GEOGRID (AS REQUIRED)

**TYPICAL ALLEY CROSS SECTION WITH SUBDRAIN**  
N.T.S.

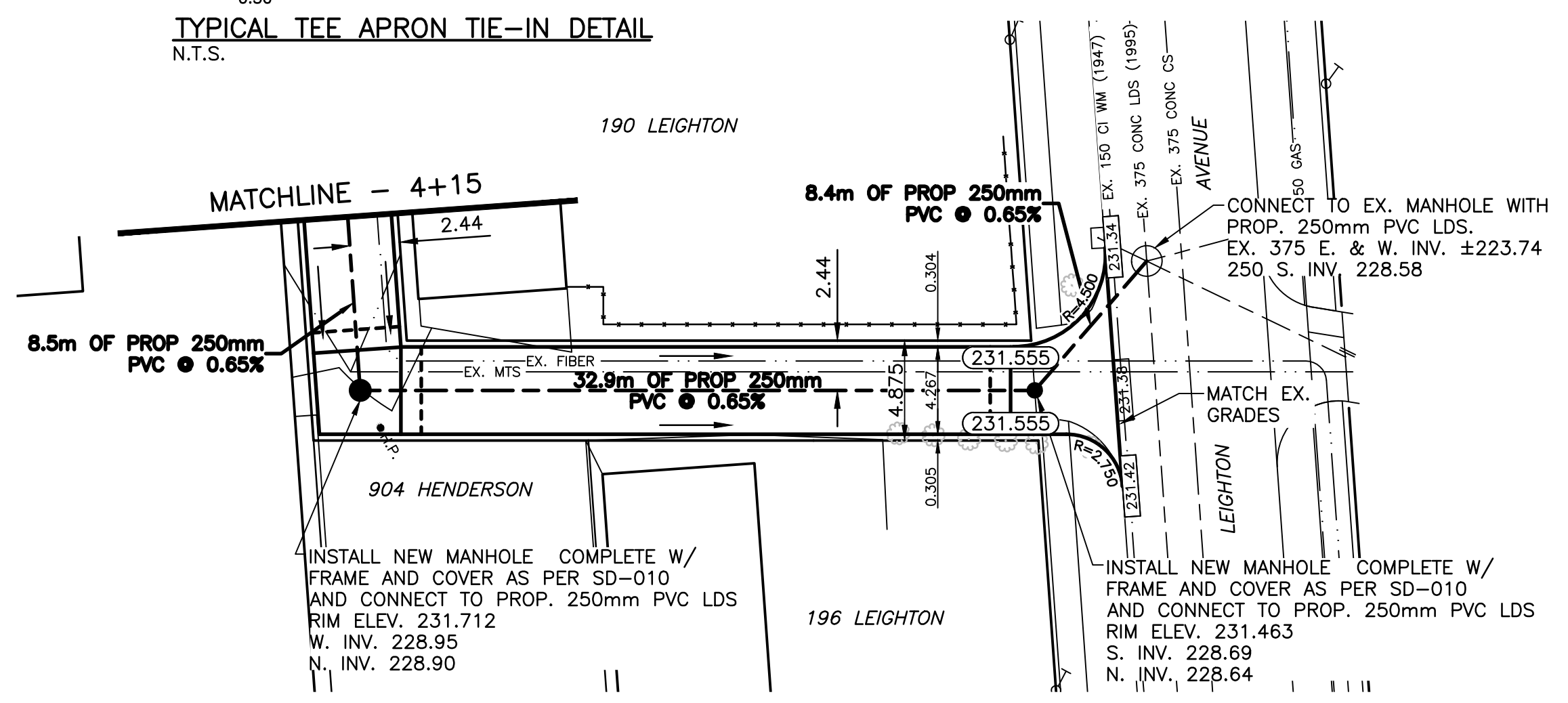
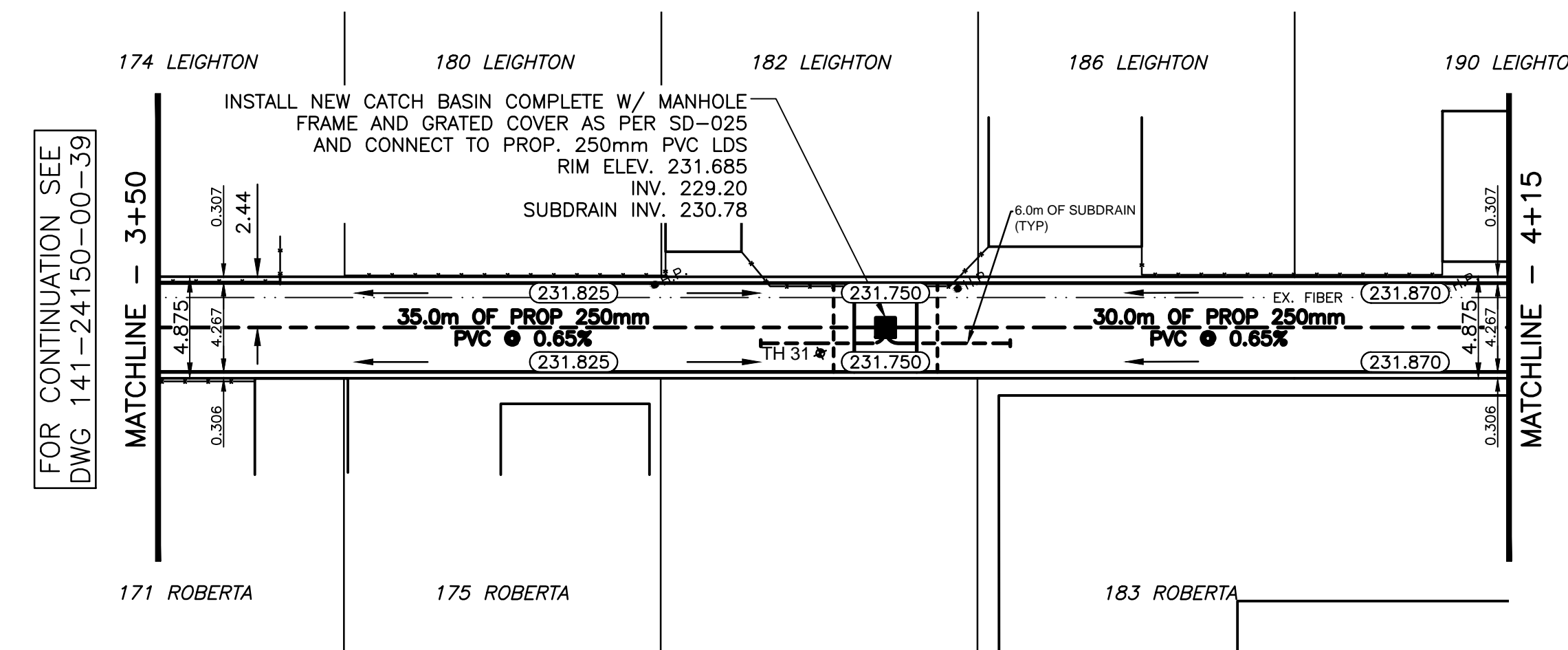
CHAINAGE ALONG C OF PUBLIC LANE  
**LEIGHTON STREET / ROBERTA AVENUE**



**TYPICAL TEE APRON TIE-IN DETAIL**  
N.T.S.



**TYPICAL CATCHBASIN APRON DETAIL**  
N.T.S.



Description of property limits, and existing and/or proposed features relative to these limits as shown on this drawing do not represent a Legal Survey. WSP makes no representation or guarantee that the property limit information is accurate. WSP accepts no responsibility for damages, if any, suffered by any third party as a result of decisions made or actions based on this drawing.

**NOTE:**  
 ROW WIDTH 4.875M  
 NEW LANE DESIGN WIDTH 4.267M

**METRIC**  
 WHOLE NUMBERS INDICATE MILLIMETRES  
 DECIMALIZED NUMBERS INDICATE METRES

**DESCRIPTION**  
 NORTHWEST HENDERSON HIGHWAY AND LEIGHTON AVENUE,  
 IN MEDIAN TABLET IN 7.8M CONCRETE PILE, 14.3M EAST  
 OF WEST LIMIT OF HENDERSON HIGHWAY AND 19.3M  
 NORTH OF THE STRAIGHT PRODUCTION EAST OF THE  
 NORTH LIMIT OF LEIGHTON AVENUE AND 0.3M B.G.L.

**TEST HOLE DATUM**  
 TH31 - N 5532910, E 636326  
 TH32 - N 5532954, E 636237  
 TH33 - N 5533032, E 636077

EXISTING	LEGEND - PLAN	PROPOSED	EXISTING	LEGEND - PLAN	PROPOSED	EXISTING	LEGEND - PROFILE	PROPOSED
—	WATERMAIN	—	—	M.T.S.	—	—	WATERMAIN	—
—	HYDRANT	—	—	TRAFFIC SIGNAL	—	—	VALVE	—
—	VALVE	—	—	CONCRETE/ASPHALT	—	—	LAND DRAINAGE SEWER	—
—	CURB STOP	—	—	SIDEWALK	—	—	WASTE WATER SEWER	—
—	WASTE WATER SEWER	—	—	CURB RAMP	—	—	CENTERLINE	—
—	LAND DRAINAGE SEWER	—	—	PROPERTY LINE	—	—	SOUTH & EAST GUTTER	—
—	C.B. LEAD	—	—	ELEVATIONS	—	—	NORTH & WEST GUTTER	—
—	MANHOLE	—	—	NORTH DRIVEWAY	—	—	TEST HOLE LOCATION	—
—	CATCH BASIN	—	—	WEST DRIVEWAY	—	—	S. & E. PAD/GARG.	—
—	GAS	—	—	SOUTH DRIVEWAY	—	—	N. & W. PAD/GARG.	—
—	HYDRO	—	—	EAST DRIVEWAY	—	—		—

**LOCATION APPROVED UNDERGROUND STRUCTURES**

SUPV. U/G STRUCTURES DATE COMMITTEE

**NOTE:**  
 LOCATION OF UNDERGROUND STRUCTURES AS SHOWN ARE BASED ON THE BEST INFORMATION AVAILABLE BUT NO GUARANTEE IS GIVEN THAT ALL EXISTING UTILITIES ARE SHOWN OR THAT THE GIVEN LOCATIONS ARE EXACT. CONFIRMATION OF EXISTENCE AND EXACT LOCATION OF ALL SERVICES MUST BE OBTAINED FROM THE INDIVIDUAL UTILITIES BEFORE PROCEEDING WITH CONSTRUCTION.

NO.	REVISIONS	DATE	BY
3	ISSUED FOR APPROVAL/TENDER	05/27/15	A.B.
2	W&W 70% DESIGN REVIEW	03/31/15	A.B.
1	70% REVIEW	02/10/15	A.B.

**WSP**  
 1600 BUFFALO PLACE  
 WINNIPEG, MB, R3T 6B8  
 PHONE: 204-477-6650  
 FAX: 204-474-2864  
 WWW.WSPGROUP.COM

DESIGNED BY: A.B.  
 CHECKED BY: S.M.  
 DRAWN BY: A.B.  
 APPROVED BY: I.McK.  
 HOR. SCALE: 1:250  
 VERT. SCALE: 1:25  
 DATE: MAY 2015

ENGINEERS SEAL  
 CONSULTANT DRAWING NO.  
 141-24150-00-41

**THE CITY OF WINNIPEG**  
 PUBLIC WORKS DEPARTMENT

**2015 LOCAL IMPROVEMENTS - CONTRACT 2**  
 LEIGHTON AVENUE / ROBERTA AVENUE LANE  
 FROM 3+50 TO LEIGHTON AVENUE  
 ASPHALT PAVEMENT

CITY DRAWING NO.  
 SHEET 3 OF 3  
 487-2015

