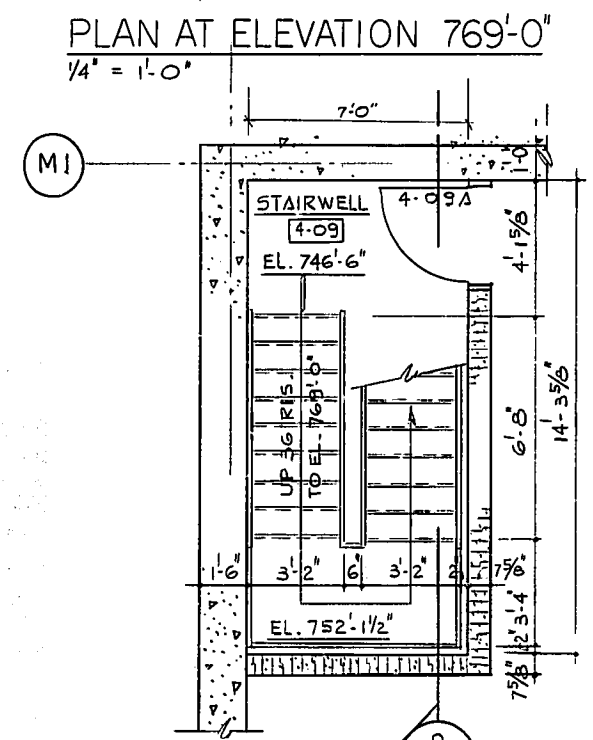
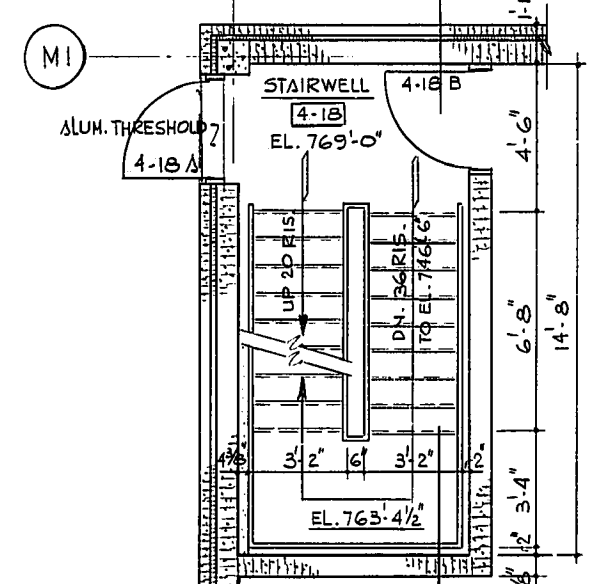
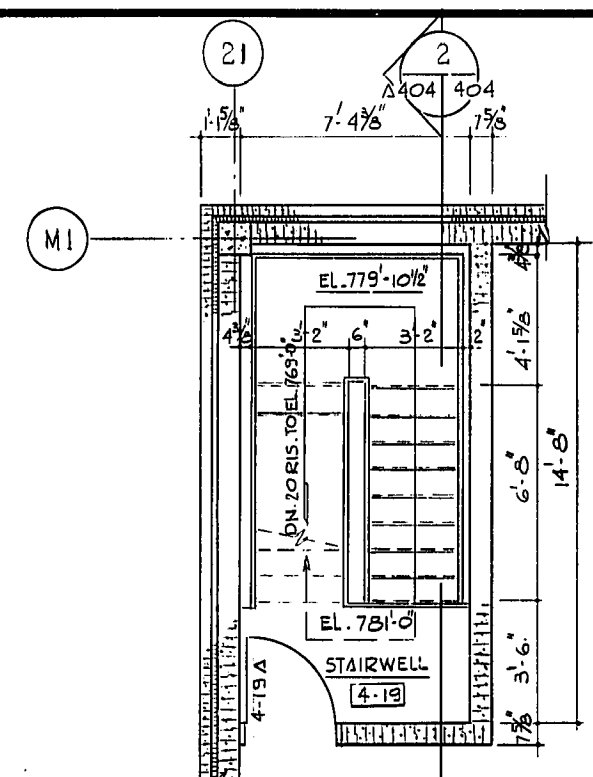
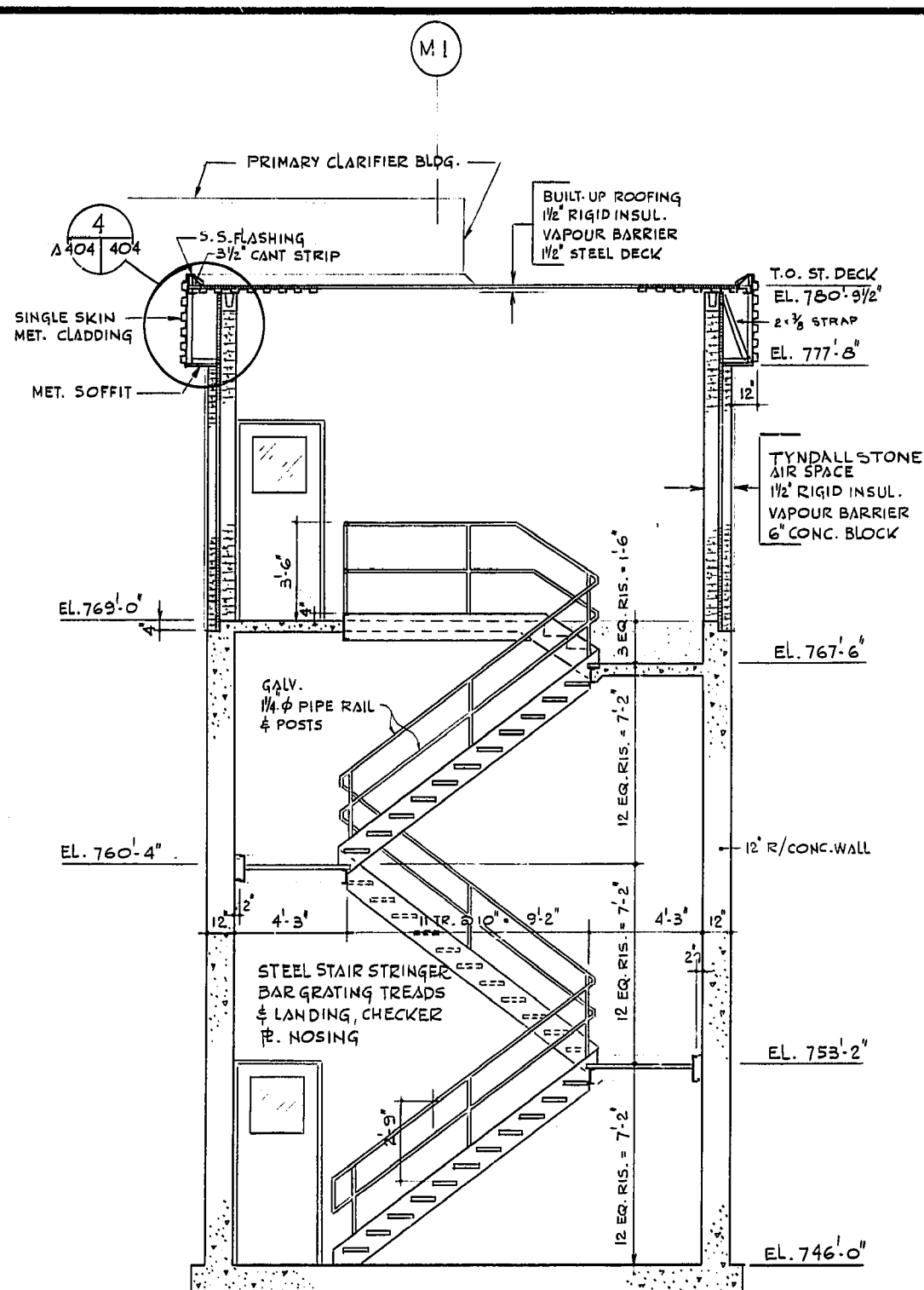
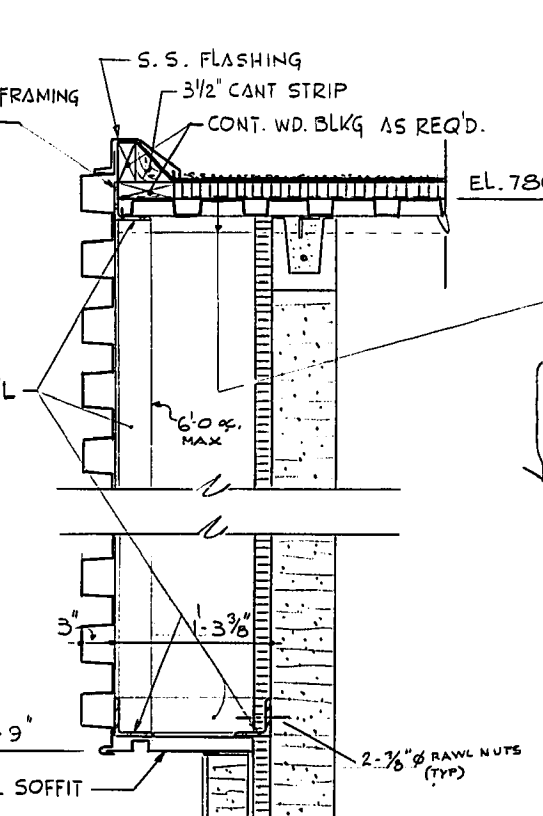
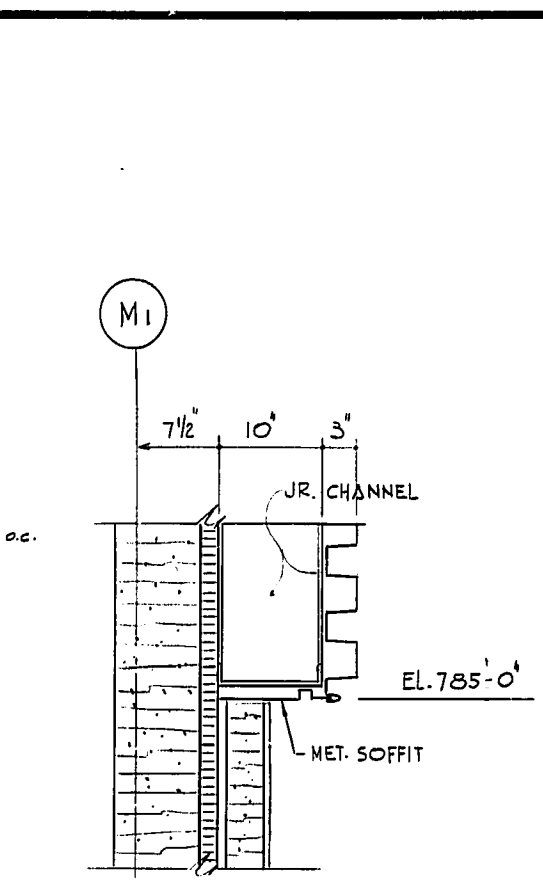
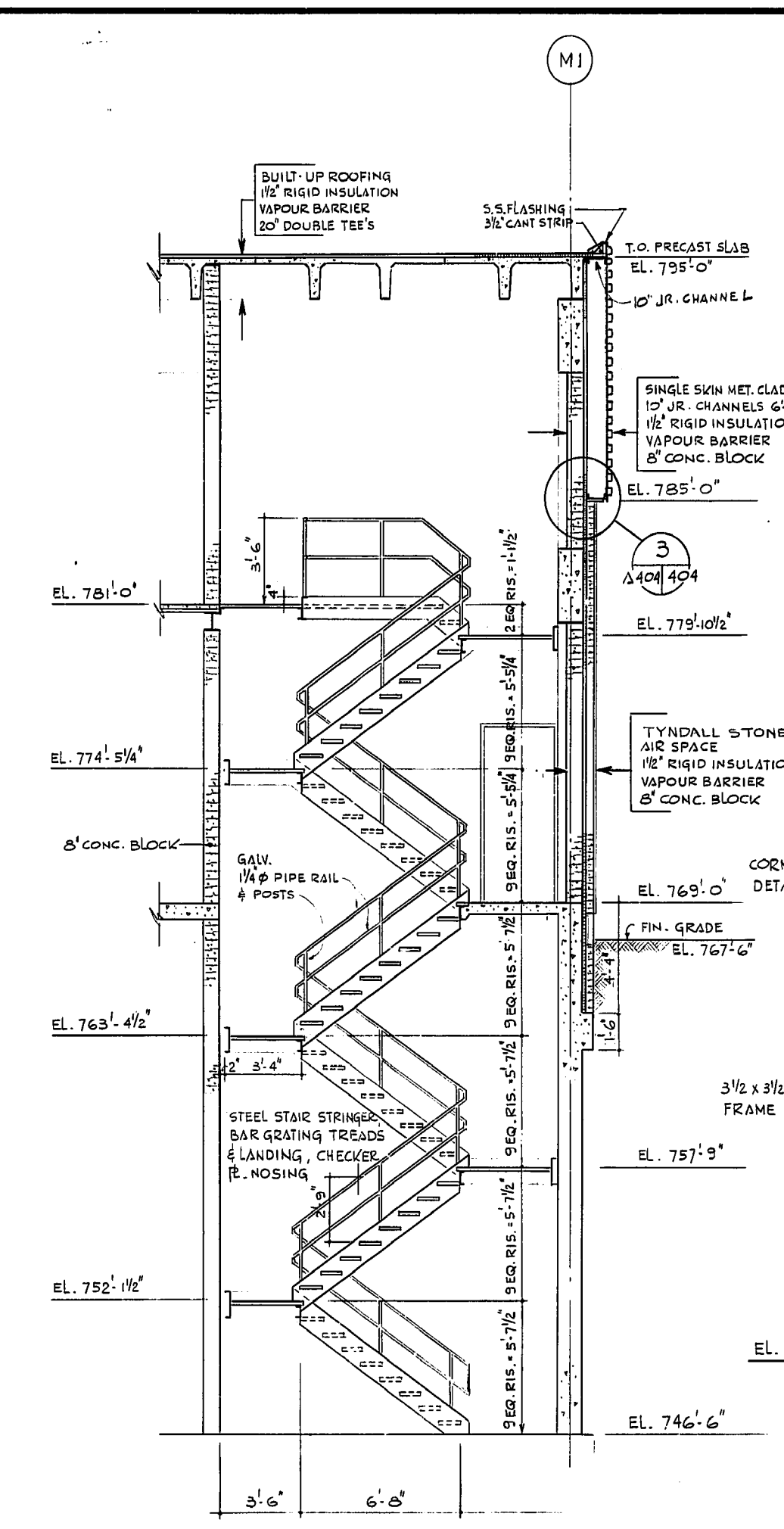


STAIR NO. 403



STAIR NO. 404



DETAIL 4 1" = 1'-0"

MICROFILMED MAR 31 1988

REVISIONS		THE METROPOLITAN CORPORATION OF GREATER WINNIPEG WATERWORKS & WASTE DISPOSAL DIVISION A. PENMAN - DIRECTOR	
No.	DATE	DESCRIPTION	

<b>W.L. WARDROP &amp; ASSOCIATES LTD.</b> ENGINEERING CONSULTANTS WINNIPEG — THUNDER BAY — REGINA — TORONTO	
<b>SOUTH END WATER POLLUTION CONTROL CENTRE</b> PRIMARY CLARIFIER ARCHITECTURAL STAIR & MISC. DETAILS	
SCALE: AS SHOWN DATE: OCTOBER 1971 APPROVED (W.L.W.): <i>[Signature]</i>	ENGINEER OF DESIGN: <i>[Signature]</i> ENGINEER OF OPERATIONS: <i>[Signature]</i> APPROVED (METRO): <i>[Signature]</i>
W.L.W. FILE NO. 70012-01-A404	DRAWING NO. S.E.P. - 54

AS - BUILT  
 DATE: MAY 1974  
 FB. NO. PAGE

