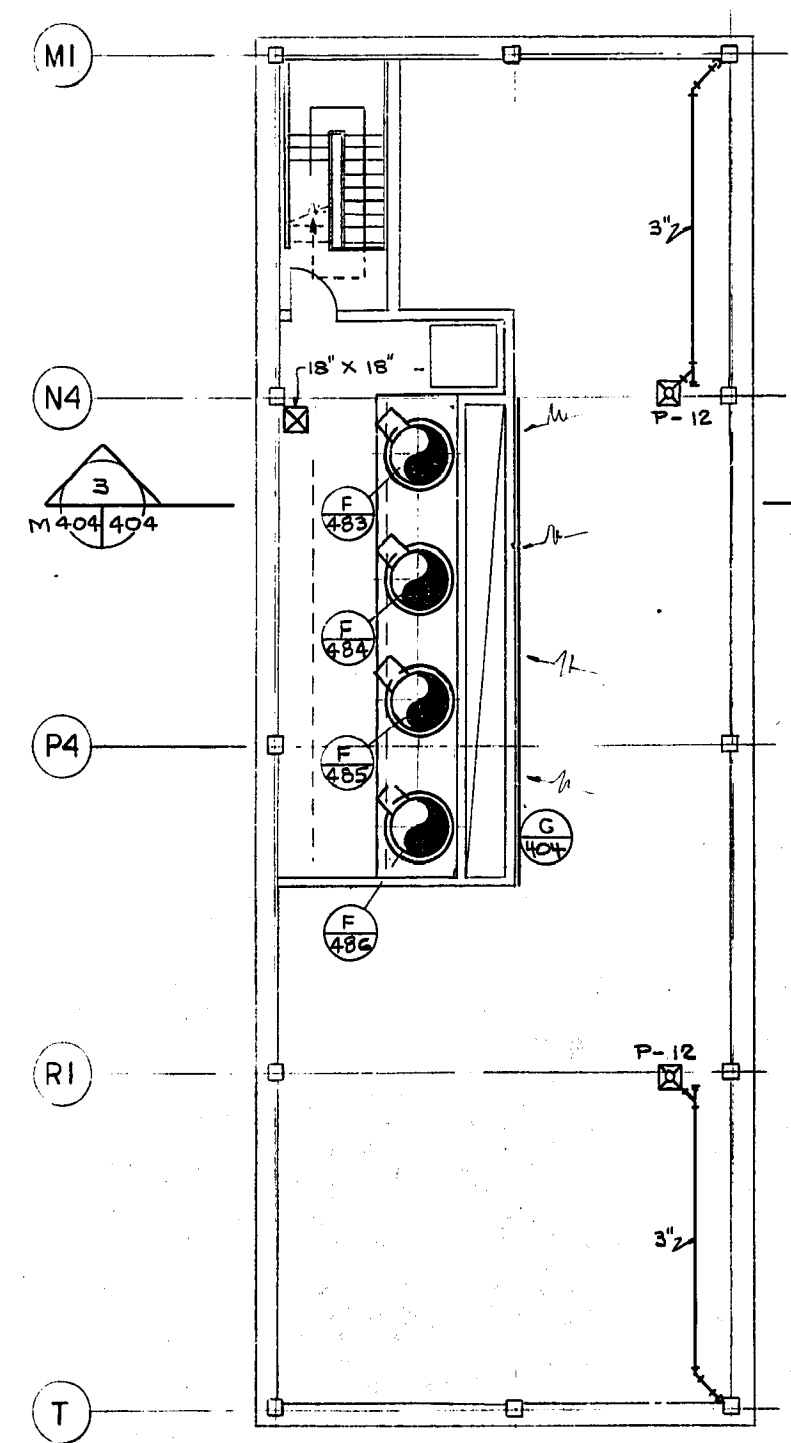


- ### PLUMBING SYMBOLS
- COLD WATER (POTABLE DOMESTIC)
 - HOT WATER (POTABLE DOMESTIC)
 - RECIRC. HOT WATER (POTABLE DOMESTIC)
 - SANITARY OR STORM LINE
 - VENT LINE
 - CLEAN OIT
 - PIPE CAPPED OFF
 - BALANCE FITTING
 - GATE VALVE
 - CHECK VALVE
 - GLOBE VALVE
 - ROOF HOPPER
 - PLUMBING FIXTURE NUMBER
 - AIR CHAMBER
 - GAS LINE (NATURAL)
 - ACID WASTE
 - PLUG COCK
 - SHOCK ARRESTOR
 - UNION
 - COMPRESSED AIR
 - FIRE LINE
 - WEeping TILE
 - FOS FUEL OIL SUPPLY
 - FOR FUEL OIL RETURN
 - RWL RAIN WATER LEADER

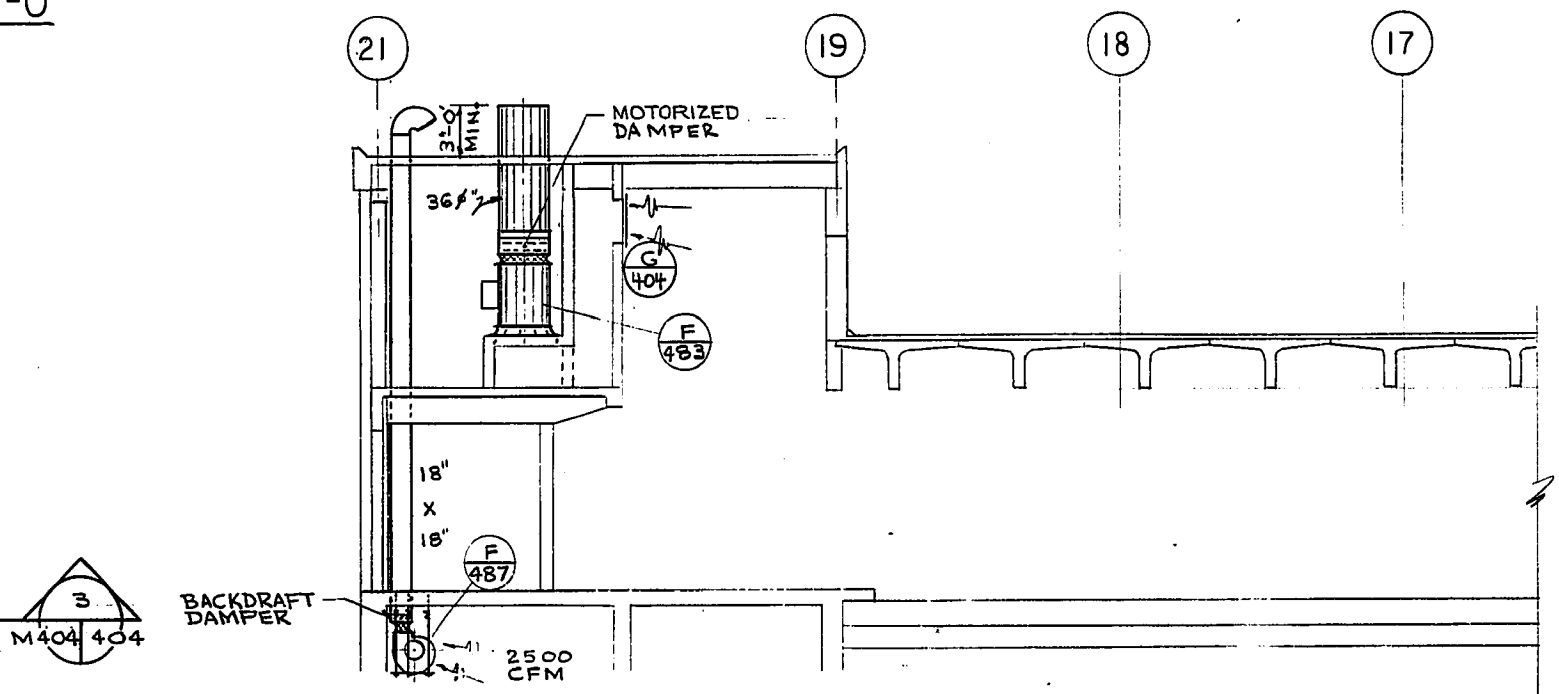
- ### HEATING SYMBOLS
- HOT WATER SUPPLY
 - HOT WATER RETURN
 - STEAM SUPPLY
 - CONDENSATE RETURN
 - EXPANSION JOINT
 - ANCHOR
 - EXPANSION LOOP
 - FLEXIBLE PIPE CONNECTION
 - BALANCE FITTING
 - STRAINER
 - THERMOMETER
 - GATE VALVE
 - CHECK VALVE
 - GLOBE VALVE
 - MOTORIZED VALVE
 - AUTOMATIC 3-WAY VALVE
 - PRESSURE REDUCING VALVE
 - AIR VENT
 - UNION
 - PIPE GUIDE

- ### VENTILATION SYMBOLS
- FIRE DAMPER
 - MOTORIZED DAMPER
 - BALANCE DAMPER
 - SPLITTER DAMPER
 - CANVAS CONNECTION
 - TURNING VANES
 - ROUND DUCT-HIGH VELOCITY
 - FLAT-OVAL DUCT-HIGH VELOCITY
 - number(example) TERMINAL UNIT
 - FLEXIBLE DUCT
 - DISCHARGE RISER
 - SUCTION RISER
 - outlet CFM(example) DIFFUSER AIR PATTERN
 - SIDEWALL OR DOOR GRILLE
 - HEATING COIL NUMBER
 - GRILLE NUMBER
 - FAN NUMBER

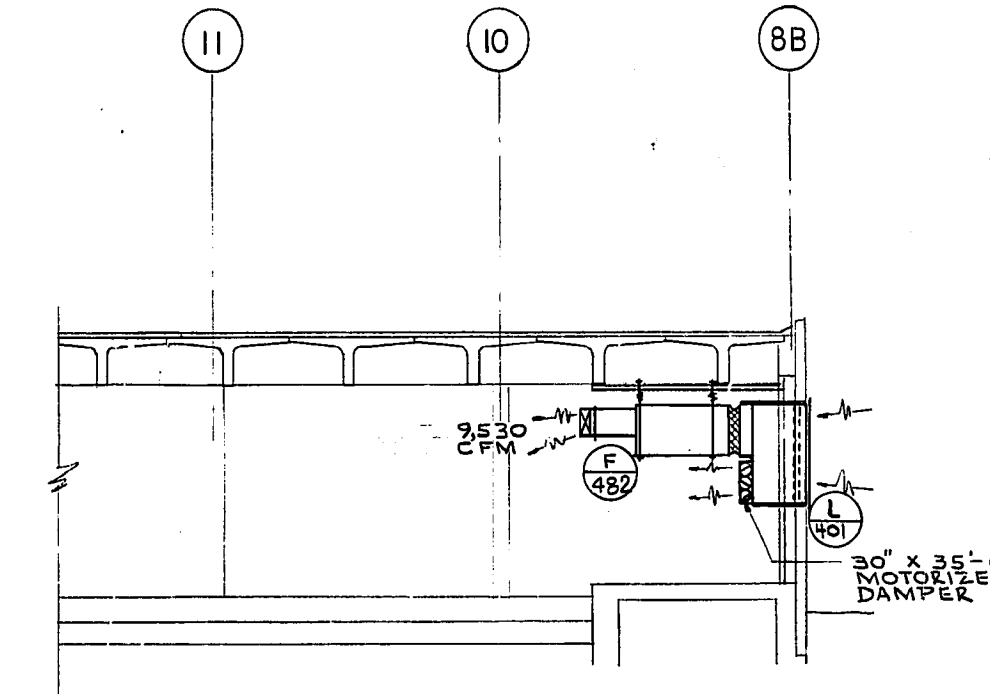
1 PLAN AT ELEV. 769'-0"
M404/404 1/8" = 1'-0"



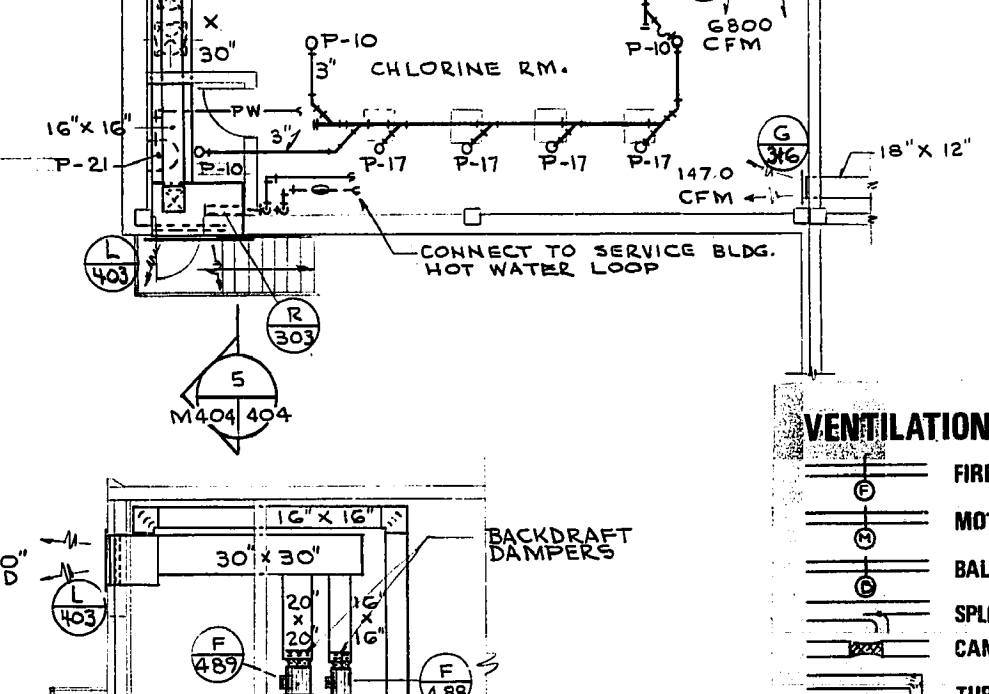
2 PLAN AT 781'-0"
M404/404 1/8" = 1'-0"



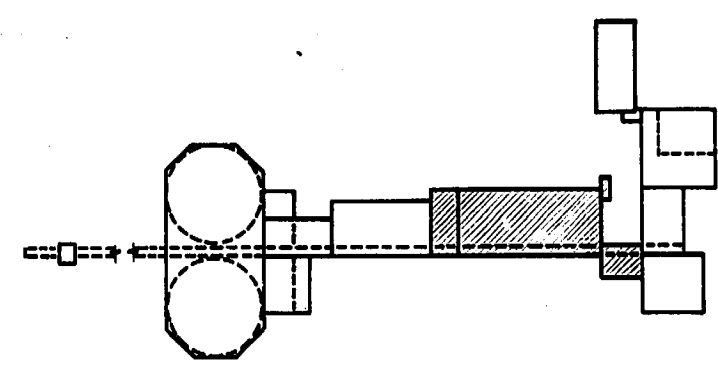
3 SECTION
M404/404 1/8" = 1'-0"



4 SECTION
M404/404 1/8" = 1'-0"



5 SECTION
M404/404 1/8" = 1'-0"



KEY PLAN
1" = 180"

AS - BUILT		
DATE	FB. NO.	PAGE
20-7-74		

REVISIONS		
No.	DATE	DESCRIPTION

MICROFILMED

THE METROPOLITAN CORPORATION OF GREATER WINNIPEG
WATERWORKS & WASTE DISPOSAL DIVISION
A. PENMAN - DIRECTOR

W. L. WARDROP & ASSOCIATES LTD.
ENGINEERING CONSULTANTS
WINNIPEG - THUNDER BAY - REGINA - TORONTO

SOUTH END WATER POLLUTION CONTROL CENTRE
PRIMARY CLARIFIER & CHLORINE BLDGS-MECHANICAL
PLUMBING, HEATING & VENTILATION

SCALE: AS SHOWN
DATE: OCT. 1971
APPROVED (W.L.W.)
W.L.W. FILE NO. 70012-01-M404

ENGINEER OF DESIGN
ENGINEER OF OPERATIONS
APPROVED (METRO)
DRAWING NO. S. E. P. - 63

PROVINCE OF MANITOBA
REGISTERED ENGINEER
G. J. MAGUET