

**FORM A: BID**  
(See B8)

1. Contract Title SUPPLY AND DELIVERY OF A COMPACT TRACKED LOADER

2. Bidder

\_\_\_\_\_  
Name of Bidder

\_\_\_\_\_  
Usual Business Name of Bidder as it appears on Invoice (if different from above)

\_\_\_\_\_  
Street

\_\_\_\_\_  
City

\_\_\_\_\_  
Province

\_\_\_\_\_  
Postal Code

(Mailing address if different)

\_\_\_\_\_  
Email Address of Bidder

\_\_\_\_\_  
Facsimile Number

\_\_\_\_\_  
Street or P.O. Box

\_\_\_\_\_  
City

\_\_\_\_\_  
Province

\_\_\_\_\_  
Postal Code

(Choose one)

\_\_\_\_\_  
GST Registration Number (if applicable)

The Bidder is:

a sole proprietor

a partnership

a corporation

carrying on business under the above name.

3. Contact Person

The Bidder hereby authorizes the following contact person to represent the Bidder for purposes of the Bid.

\_\_\_\_\_  
Contact Person

\_\_\_\_\_  
Title

\_\_\_\_\_  
Telephone Number

\_\_\_\_\_  
Facsimile Number

\_\_\_\_\_  
Email Address

4. Definitions

All capitalized terms used in the Contract shall have the meanings ascribed to them in the General Conditions and D3.

5. Offer The Bidder hereby offers to perform the Work in accordance with the Contract for the price(s), in Canadian funds, set out on Form B: Prices, appended hereto.

6. Commencement of the Work The Bidder agrees that no Work shall commence until he/she is in receipt of a notice of award from the Award Authority authorizing the commencement of the Work.

7. Contract The Bidder agrees that the Bid Opportunity in its entirety shall be deemed to be incorporated in and to form a part of this offer notwithstanding that not all parts thereof are necessarily attached to or accompany this Bid.

8. Addenda The Bidder certifies that the following addenda have been received and agrees that they shall be deemed to form a part of the Contract:

No.	_____	Dated	_____
	_____		_____
	_____		_____

9. Time This offer shall be open for acceptance, binding and irrevocable for a period of sixty (60) Calendar Days following the Submission Deadline.

10. Signatures The Bidder or the Bidder's authorized official or officials have signed this \_\_\_\_\_ day of \_\_\_\_\_, 20\_\_\_\_.

Signature of Bidder or  
Bidder's Authorized Official or Officials

\_\_\_\_\_  
\_\_\_\_\_  
(Print here name and official capacity of individual whose signature appears above)

\_\_\_\_\_  
\_\_\_\_\_  
(Print here name and official capacity of individual whose signature appears above)

**FORM B: PRICES**  
 (See B9)

SUPPLY AND DELIVERY OF A COMPACT TRACKED LOADER

UNIT PRICES

ITEM NO.	DESCRIPTION	SPEC. REF.	UNIT	QUANTITY	UNIT PRICE
1.	Compact Tracked Loader	15044	Each	1	
1a.	Option 1: Attachments	15044	Each		
	56" Combination Bucket			1	_____
	68" Snow Bucket			1	_____
	62" Low Profile Bucket			1	_____
	48" Pallet Fork and Tines			1	_____

\_\_\_\_\_  
 Name of Bidder

## FORM N: DETAILED SPECIFICATIONS 15044

### COMPACT TRACKED LOADER

#### **1.0 DESCRIPTION OF EQUIPMENT**

- 1.1 These specifications describe a **Compact Tracked Loader** and other equipment and features as specified herein.
- 1.2 The **Compact Tracked Loader** shall be a new 2015 model year or newer.
- 1.3 The **Compact Tracked Loader** and all other items/components shall be the manufacturer's latest model. The equipment shall be furnished complete and ready for operation. Any parts or accessories not specifically mentioned, but which are required to complete and place the equipment and associated attachments in successful operation shall be furnished as though specifically mentioned in these specifications. The equipment and associated attachments, and all parts thereof, shall conform in strength and quality of material and workmanship, to the best standards and engineering practice of the industry.
- 1.4 It will be the responsibility of the Bidder to inform the City of any errors or omissions in these specifications, for under this Contract the Contractor shall be held responsible for the satisfactory operational function of the equipment.

#### **2.0 OTHER SPECIFICATIONS AND STANDARDS**

- 2.1 All applicable SAE standards form an integral part of these specifications and shall have precedence in any conflict concerning minimum acceptable standards.

- 2.2 The **Compact Tracked Loader** shall comply with the applicable regulations:

National Safety Mark, NSM = <http://www.tc.gc.ca/eng/acts-regulations/acts-road.htm>

Manitoba Safety and Health Act, Parts 12, 22 =  
<http://web2.gov.mb.ca/laws/statutes/ccsm/w210e.php> and <http://www.gov.mb.ca/labour/safety/>

Canadian Standards Association, CSA = <http://www.csa.ca/about/Default.asp?language=english>

Under Writers of Canada, U/L = <http://www.ulc.ca/>

Society of Automotive Engineers, SAE = <http://www.sae.org/>

City of Winnipeg Lighting Visibility  
Standard = <http://winnipeg.ca/matmgt/pdfs/PublicWorksEquipLightingVisibility.pdf>.

- 2.3 It will be the responsibility of the Bidder to inform the City of any deficiencies in these specifications, for under this Contract the Contractor shall be held responsible for the design, performance, reliability and satisfactory operational function of the units.

#### **3.0 SERVICE FACILITY**

- 3.1 For the purpose of warranty repairs, the Bidder shall have an authorized service facility located within 10 km of the boundaries of the City of Winnipeg. The facility, or a portion thereof, shall be dedicated to the service and maintenance of the type equipment being offered. Further to B9.1, Bidders shall provide a description of the service facility including, but not limited to, number of qualified service staff, years of service experience, and general service capabilities within three (3) Business Days upon request of the Contract Administrator.

#### **4.0 REFERENCES**

- 4.1 Provide five (5) Canadian references where this equipment is used in a working environment where climatic conditions are similar to the City of Winnipeg.

---

---

---

---

---

#### **5.0 MAKE & MODEL**

- 5.1 **State** make and model of the equipment bid- \_\_\_\_\_

#### **6.0 INSTRUCTIONS FOR COMPLETION OF SPECIFICATIONS**

- 6.1 Each bid will be evaluated based on adherence to all terms, conditions and requirements outlined in the Bid Opportunity package.

- 6.2 All items in these specifications must be answered indicating compliance or non-compliance. **BIDDERS SHALL STATE "YES" FOR COMPLIANCE OR STATE DEVIATION**, or give reply where requested to do so. Deviations shall be clearly stated and fully detailed. Alternatives will be considered subject to evaluation.

- 6.3 **EACH BIDDER IS REQUIRED TO FILL IN EVERY BLANK. FAILURE TO DO SO MAY BE USED AS A BASIS FOR REJECTION OF BID**

#### **7.0 PERFORMANCE RELIABILITY**

- 7.1 The responsibility for the design of the **Compact Tracked Loader**, its performance and reliability shall rest upon the Contractor.

- 7.2 The term "repeated failures" as used herein is defined to mean that the same component, subassembly, or assembly develops repeated defects, breakdowns and/or malfunctions rendering the vehicle inoperative, or requiring repeated shop correction, service and/or replacement during the warranty period applicable for said component, subassembly, of assembly. Minor items or ordinary service adjustments are not included, or considered under the scope of "repeated failures", as well as other factors, such as operational damage due to accidents, misuse or lack of proper maintenance, service and lubrication attention by not following the manufacturer's preventative maintenance schedule.

- 7.3 Where the **Compact Tracked Loader** develops "repeated failures" in service, the Contractor shall make any necessary engineering changes, repairs, alterations or modifications in order to guarantee reliability of performance.

- 7.4 The equipment shall be capable of consistent top performance in City of Winnipeg Environment. Note: The City of Winnipeg has four seasons with ambient temperatures ranging from approximately 90°F (32°C) to -40°F (-40°C)

#### **8.0 FUEL**

- 8.1 Where applicable, all equipment must be fully fuelled upon delivery (no exceptions).

#### **9.0 QUALIFICATIONS OF MANUFACTURER & CONTRACTOR**

- 9.1 The manufacturer of the **Compact Tracked Loader** shall have five (5) years continuous experience manufacturing the equipment.

- 9.2 The manufacturer shall have in effect a documented quality control program ensuring that the quality of materials and workmanship, including welding, conforms to the best standards and engineering practice of the industry.
- 9.3 The Contractor shall have five (5) years continuous experience servicing, repairing and maintaining **Compact Tracked Loader** of the type being offered.

**10.0 SPECIFICATIONS**

**ENGINE**

- |      |                      |  |       |
|------|----------------------|--|-------|
| 10.1 | Engine make & model  | <b>State</b>   | _____ |
| 10.2 | Engine specification | Diesel, Emissions Tier IV Diesel Interim or Final, must meet current Emission Standards. | _____ |
| 10.3 | Horse Power          | Net 60-65 hp. <b>State</b>   | _____ |
| 10.4 | Torque               | <b>State</b>   | _____ |
| 10.5 | Engine Aspiration    | <b>State</b>   | _____ |
| 10.6 | Number of cylinders  | <b>State</b>   | _____ |
| 10.7 | Engine Block Heater  | Cold weather operation   | _____ |

**ELECTRICAL**

- |      |            |  |       |
|------|------------|--|-------|
| 10.8 | Alternator | Approx. 70 amp, <b>State</b>             | _____ |
| 10.9 | Battery    | Heavy Duty approx. 850 CCA, <b>State</b> | _____ |

**FUEL**

- |       |               |                               |       |
|-------|---------------|-------------------------------|-------|
| 10.10 | Fuel capacity | Approx. 17 gal., <b>State</b> | _____ |
|-------|---------------|-------------------------------|-------|

**HYDRAULICS**

- |       |                                     |                    |       |
|-------|-------------------------------------|--------------------|-------|
| 10.11 | GPM pump flow                       | Approx. 16.5 gpm   | _____ |
| 10.12 | Cold operation rated                | With self-leveling | _____ |
| 10.13 | Integrated Hydraulic quick couplers | Approx. 3300psi    | _____ |

**DRIVE SYSTEM**

- |       |              |  |       |
|-------|--------------|--|-------|
| 10.14 | Drive train  | Hydrostatic  | _____ |
| 10.15 | Transmission | Two (2) speed  | _____ |
| 10.16 | Tracks       | Rubber. Length on ground approx. 50 in, width approx.11-12 in. | _____ |

**DIMENSIONS**

10.17	Length	Approx. 98 in. without attachment, <b>state</b>	_____
10.18	Length	With Bucket approx. 127 in., <b>state</b>	_____
10.19	Height	To ROPS approx. 78 in.	_____
10.20	Height	To bucket hinge pin at maximum lift approx. 110 in.	_____
10.21	Width	Without bucket approx. 55 in., <b>State</b>	_____
10.22	Width	With bucket approx. 56 in., <b>State</b>	_____
10.23	Operating weight	Approx. 6100 lbs., <b>State</b>	_____
10.24	Turning radius	Approx. 75-80 in.,	_____
10.25	Dump Reach	Reach at maximum dump height approx. 21-24 in.	_____

**PERFORMANCE**

10.26	Tipping load	Approx. 4000 lbs.	_____
10.27	Operating capacity (50% of tip)	Approx. 2000 lbs.	_____
10.28	Heaped bucket capacity	<b>State</b> capacity and size of bucket for Comparison reference	_____
10.29	Rated operating capacity SAE	1400 lbs.	_____
10.30	Travel speed	Two (2) speed capable of approx. 7-11 mph	_____

**SAFETY**

10.31	In cab boom lock	Preferred but not required, <b>State</b>	_____
10.32	ROPS and FOPS	<b>State</b> ISO Standard, <b>State</b> FOPS Level of certification	_____
10.33	Seat Belt	Three (3)-point (lap belt not acceptable)	_____
10.34	Grab handles	Entry/exit area	_____
10.35	Fire Extinguisher	Five (2.5) lbs. High volume ABC type, <b>State</b> location	_____
10.36	Back up alarm	<b>State</b> dB	_____
10.37	Safety lighting	Make and Model: Whelen L31HABF Series Super-LED, SAE Class 1 (or equivalent) Blue/Amber (individual control) Low Dome Beacon, permanent mount on top of ROPS and wired to the ignition.	_____
10.38	Slow moving sign	Slow-moving vehicle warning triangle	_____

**OPERATOR STATION**

10.39	Operation	Joystick, control	_____
10.40	Arm rests	Adjustable	_____
10.41	Antitheft system	<b>State</b> type	_____
10.42	Windows	Front, rear and side windows, made from tempered safety glass	_____
10.43	Windshield wiper	Front windshield wiper provided with a windshield washer system	_____
10.44	Heat and air conditioning	With pressurized cab	_____
10.45	Seat belt	Seat belt with shoulder harness	_____
10.46	Sound deadening	Sound proof package	_____
10.47	Seat	Suspension seat with arm rests	_____
10.48	Horn	Operator controlled	_____
10.49	Mirrors	Rear view mirror(s)	_____
10.50	Windows	Side windows	_____
10.51	Fuel cap	Locking	_____
10.52	Parking brake	Spring applied, hydraulically released	_____
10.53	Radio	AM/FM/CD or MP3	_____

Note: Attachments to be priced only as indicated on Form B: Prices.  
 Option 1: Attachments

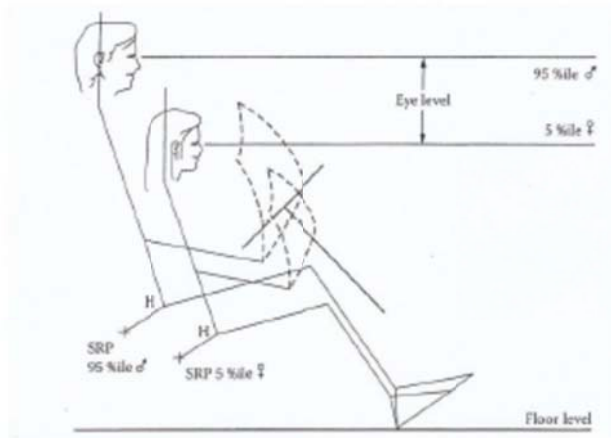
**ATTACHMENTS**

10.54	Front mount 4-in-1 combination (clam) bucket	With bolt-on teeth with replaceable points Approx. 56" width, <b>state</b>	_____
10.55	Snow Bucket	Approx. 68" width, <b>state</b>	_____
10.56	Low profile bucket	With smooth edge approx. 62" width, <b>state</b>	_____
10.57	Pallet Fork	Carriage and fork set with 48" tines	_____

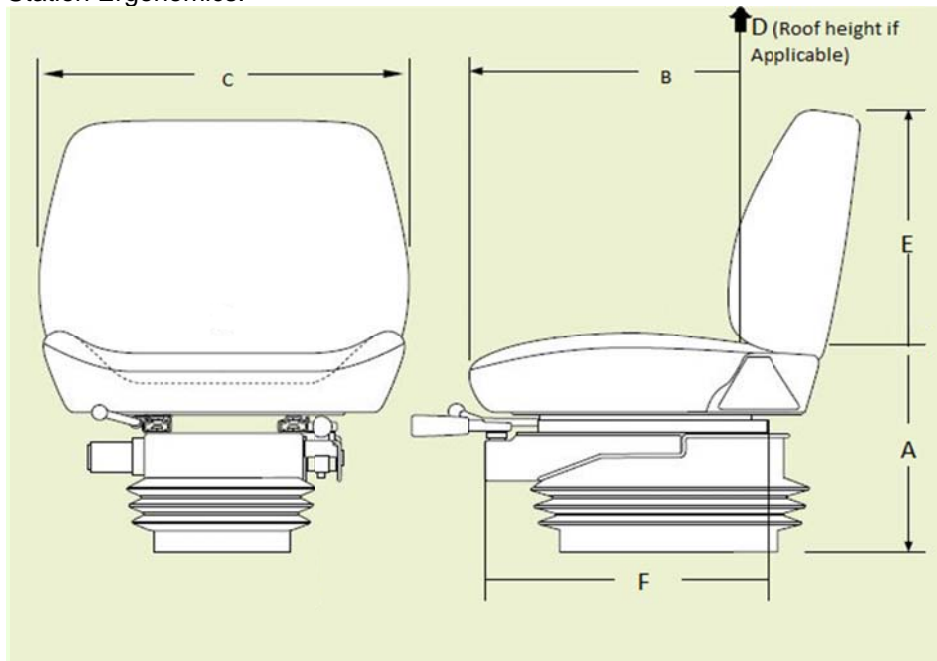
**OPERATOR STATION**  
**ERGONOMICS**

10.58 Cab or station layout should provide a comfortable seating position for the 5<sup>th</sup> to the 95<sup>th</sup> percentile of personnel. Figure 1 below illustrates the variance between a 5<sup>th</sup> to a 95<sup>th</sup> percentile of North American males and females when seated.





10.59 Figure 2: Use the below diagram to answer the specifications for Operator Station Ergonomics.



- |       |  |  |       |
|-------|--|--|-------|
| 10.60 | Sitting height range from floor (where feet rest) (A)                                  | <b>State</b> , seat height range in inches | _____ |
| 10.61 | Seat length/depth (B)  | <b>State</b> , seat length/depth in inches | _____ |
| 10.62 | Seat width (C)   | <b>State</b> , seat width in inches        | _____ |
| 10.63 | Cab height from seat to roof (if applicable) (D)                                       | <b>State</b> , cab height range in inches  | _____ |
| 10.64 | Back rest height (E)   | <b>State</b> , back rest height in inches  | _____ |
| 10.65 | Seat travel range (F)  | <b>State</b> , seat travel in inches       | _____ |
| 10.66 | Include any other relevant ergonomic specifications and applicable range of adjustment |  | _____ |

11.0 **WARRANTY**

11.1 All warranty information shall be detailed and include all exclusions. The successful bidder shall provide all published warranty information upon delivery of the equipment. Bidder shall state all warranty information. \_\_\_\_\_

11.2 The warranty for the Compact Tracked Loader shall cover the complete equipment, and all parts thereof against any defects of workmanship, construction and materials, for a period of 12 months Any article that has become defective during said warranty period and has not proven to have been caused by negligence on the part of the user shall be repaired or replaced at no cost to the City. The warranty shall be effective from the date the equipment is put into service by the City of Winnipeg. \_\_\_\_\_

12.0 **DELIVERY**

12.1 Delivery Point: The complete unit shall be serviced, ready for operation and delivered F.O.B. with the freight prepaid, including invoice and N.I.V.S. (if applicable) to the WFMA 185 Tecumseh Street, Winnipeg MB. The successful bidder shall be notified by the Contractor Administrator the delivery address prior to issuance of the purchase order \_\_\_\_\_

12.2 Delivery Time: **Six to eight (6-8) calendar weeks** from the date of award. Equipment shall be delivered between 8:00 am and 3:00 pm on Business Days. \_\_\_\_\_

12.3 Delivery Contact: The Contractor shall contact the Contract Administrator prior to delivery of the equipment. \_\_\_\_\_

12.4 P.D.I: A pre-delivery inspection shall be performed by the Contractor on the equipment. Proof upon inspection including completed check list \_\_\_\_\_

13.0 **MANUALS**

13.1 Manuals supplied under this contract. The manuals shall cover the complete equipment including all components thereof, CD is preferred where available. \_\_\_\_\_

13.2 The following manuals shall be supplied with the units when delivered:

a) Operator's manual – Two (2) per unit (one operator manual shall be sent to the Equipment Operator Training Branch \_\_\_\_\_

b) Parts and service manuals – one (1) complete sets including preventative maintenance schedules. CDs are preferred. \_\_\_\_\_