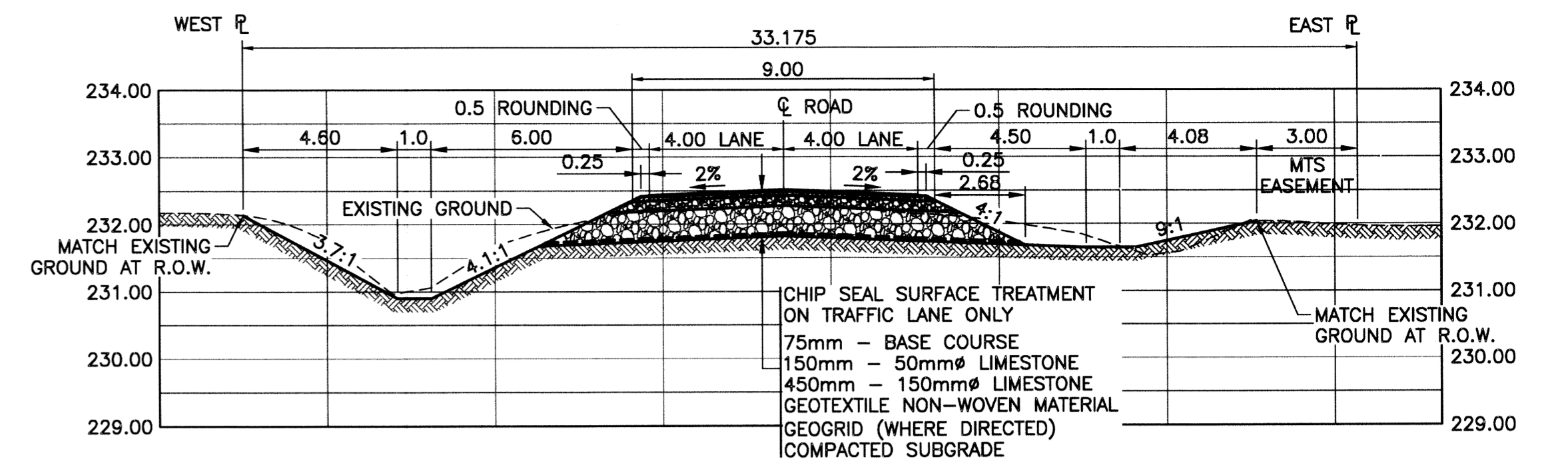
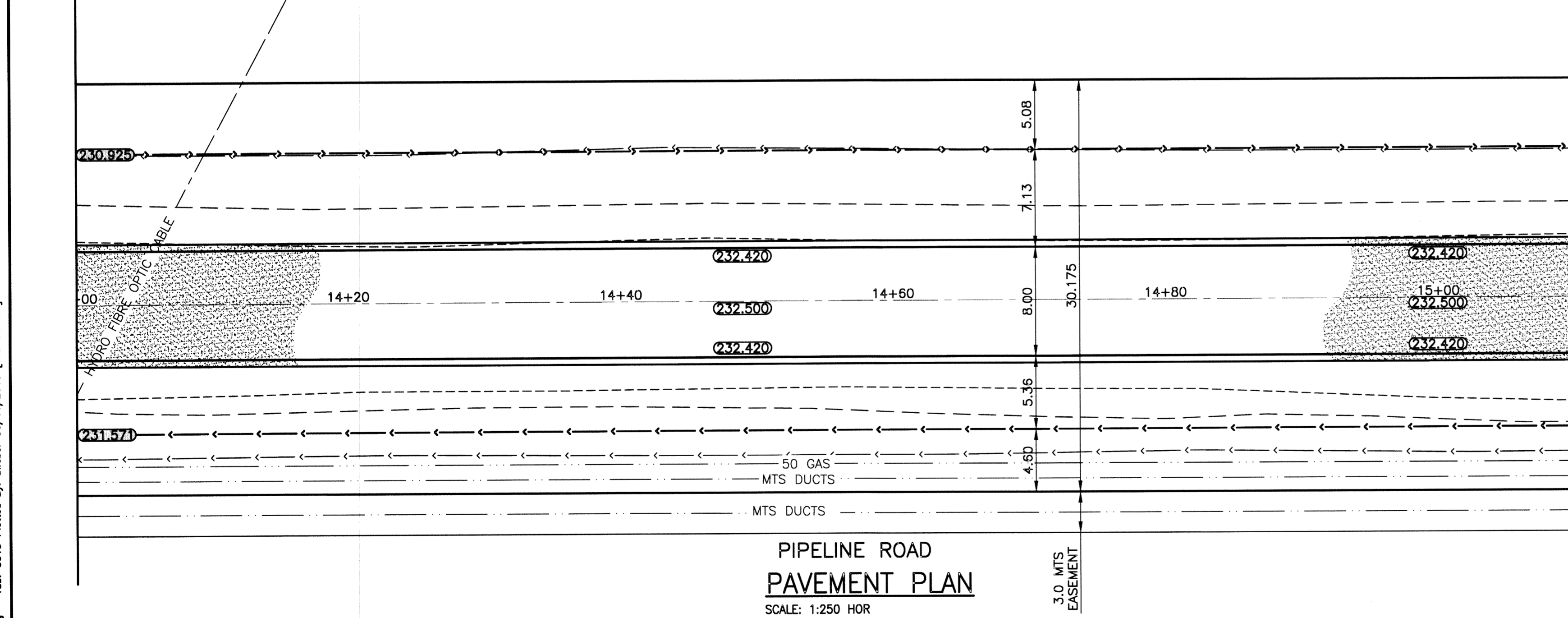


PROFILE
SCALE: 1:250 HOR
1:10 VER



DESIGN ROADWAY SECTION @ 14+60
SCALE: 1:150 HOR 1:75 VER



EXISTING	LEGEND-PLAN	PROPOSED	EXISTING	LEGEND-PLAN	PROPOSED	EXISTING	LEGEND-PROFILE	PROPOSED
300 LBS WWS	LAND DRAINAGE SEWER	300 LBS WWS	---	BACK OF CURB	---	---	---	---
250 WWS	WASTE WATER SEWER	250 WWS	---	CONCRETE SHOULDER	---	---	---	---
---	GAS	---	---	GRAVEL ROAD SHOULDER	---	---	---	---
---	HYDRO	---	---	DITCH	---	---	---	---
---	M.T.S.	---	---	SIDEWALK	---	---	---	---
150 WM	WATERMAIN	150 WM	---	PROPERTY LINE	---	---	---	---
---	HYDRANT	---	---	CULVERT	---	---	---	---
---	VALVE	---	---	GUY WIRE	---	---	---	---
---	MANHOLE	---	---	TREE	---	---	---	---
---	CATCH BASIN	---	---	SURVEY BAR	---	---	---	---
---	CURB INLET	---	---	GEODETIC BENCHMARK	---	---	---	---
---	LIGHT STANDARD	---	---	ELEVATION	---	---	---	---
---	POLES	---	---	---	---	---	---	---

LOCATION APPROVED UNDERGROUND STRUCTURES

SUPV. U/G STRUCTURES COMMITTEE DATE

NOTE:
LOCATION OF UNDERGROUND STRUCTURES AS SHOWN ARE BASED ON THE BEST INFORMATION AVAILABLE BUT NO GUARANTEE IS GIVEN THAT ALL EXISTING UTILITIES ARE SHOWN OR THAT THE GIVEN LOCATIONS ARE EXACT. CONFIRMATION OF EXISTENCE AND EXACT LOCATION OF ALL SERVICES MUST BE OBTAINED FROM THE INDIVIDUAL UTILITIES BEFORE PROCEEDING WITH CONSTRUCTION.

NO.	REVISIONS	DATE	BY
0	ISSUED FOR CONSTRUCTION	15/06/11	BM
1			
2			

KGS GROUP CONSULTING ENGINEERS

DESIGNED BY: MK
DRAWN BY: GEL

CHECKED BY: [Signature]
APPROVED BY: [Signature]

HOR. SCALE: 1:250
VERTICAL: 1:10

RELEASED FOR CONSTRUCTION: 2015/02/02

ENGINEER'S SEAL

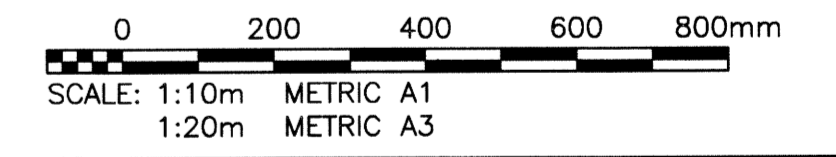
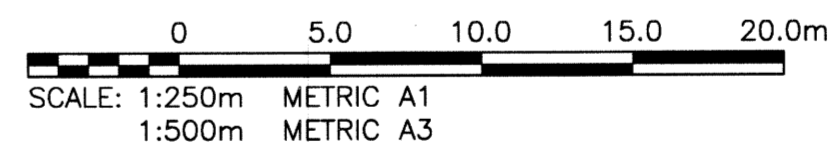
PROVINCE OF MANITOBA
E.B. MIKOLAYENKO
Member
2489B
JUNE 11/2015

THE CITY OF WINNIPEG PUBLIC WORKS DEPARTMENT ENGINEERING DIVISION

PROJECT TITLE: PIPELINE ROAD PAVEMENT RECONSTRUCTION
100±m SOUTH OF MOLLARD AVENUE TO GARDEN VIEW DRIVE
STA 14+00 TO STA 15+10

SHEET 04 OF 16
COMPUTER FILE NAME: PIPELINE-PLOT
CITY DRAWING NUMBER: 015

- NOTES:**
- ALL WORKS TO BE IN ACCORDANCE WITH THE LATEST REVISION OF THE CITY OF WINNIPEG STANDARD CONSTRUCTION SPECIFICATIONS.
 - STATION CHAINAGE IS BASED ON CENTRELINE OF PROPOSED ROADWAY.
 - REGRADE EXISTING PRIVATE APPROACHES AS REQUIRED.
 - CONTACT MANITOBA HYDRO TO LOWER FIBRE OPTIC CABLE WHERE REQUIRED.
 - REGRADE EXISTING DITCHES AS DIRECTED BY CONTRACT ADMINISTRATOR.
 - RENEW EXISTING APPROACHES AS DIRECTED BY CONTRACT ADMINISTRATOR.
 - NEW CULVERTS TO BE INSTALLED UNDER ALL APPROACHES AS DIRECTED BY CONTRACT ADMINISTRATOR.
 - CHIP-SEAL SURFACE TREATMENT ON APPROACHES AND TRAFFIC LANE ONLY.



APEGN
Certificate of Authorization
KGS Group
No. 245

METRIC
WHOLE NUMBERS INDICATE MILLIMETRES
DECIMALIZED NUMBERS INDICATE METRES

- WARNING**
- NOTIFY THE GAS COMPANY OF THE PROPOSED LOCATION OF EXCAVATION.
 - TAKE PRECAUTION TO AVOID DAMAGE TO GAS COMPANY INSTALLATIONS.
 - SEE PROVINCIAL REGULATION 210/72 FOR DETAILS.
 - AVOID DAMAGE TO EXISTING MANITOBA HYDRO EASEMENT WITHIN THE LIMITS OF CONSTRUCTION.
 - TAKE PRECAUTION TO AVOID DAMAGE TO MTS UNDERGROUND CABLES.

PROPERTY LIMITS DELINEATION
DELINEATION OF PROPERTY LIMITS AS SHOWN ON THIS DWG DOES NOT REPRESENT A "LEGAL SURVEY". KGS GROUP MAKES NO REPRESENTATION OR WARRANTY AS TO THE ACCURACY OF PROPERTY LIMITS DELINEATED ON THIS DWG, NOR ON THE DIMENSIONAL ACCURACY OF DWG FEATURES RELATIVE TO THOSE PROPERTY LIMITS.

U:\MS\14-0107-010-010-CALZ.dwg - Job: C315 - Printed by: debar 05/11/2015 11:48:59am