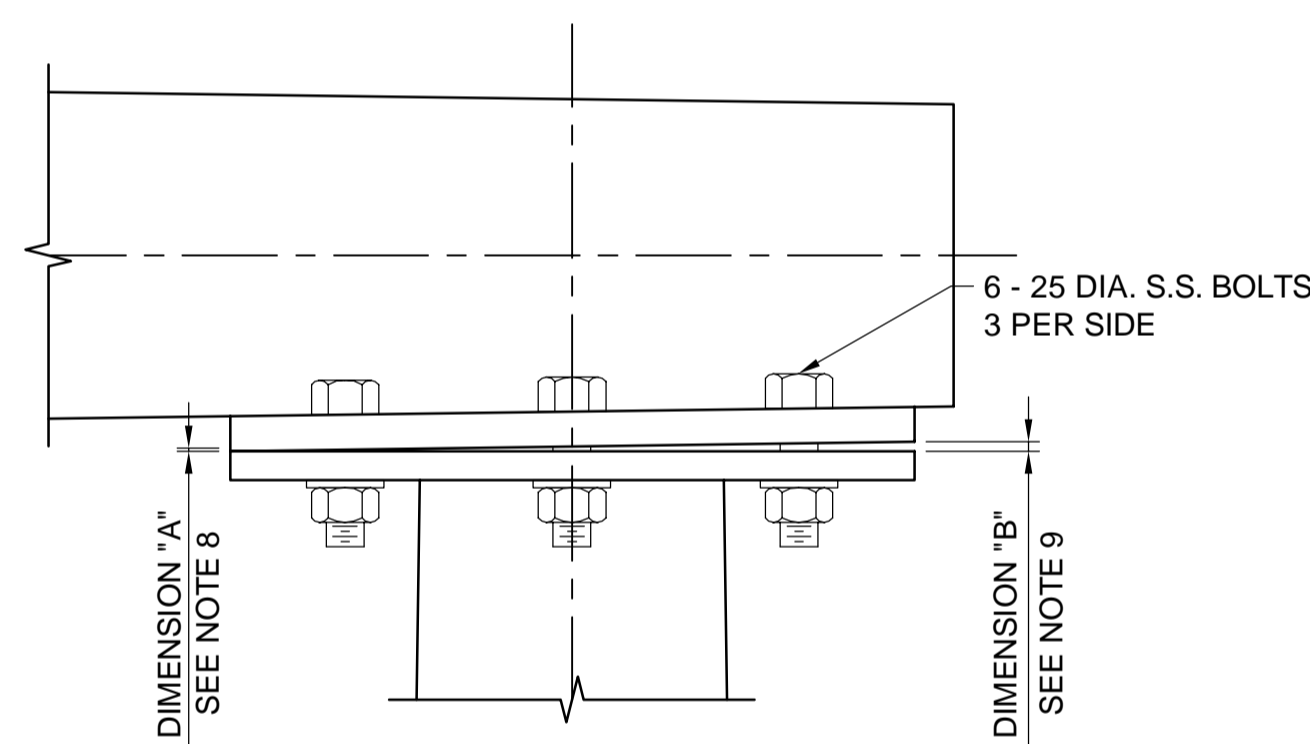


**BASE PLATE MODIFICATIONS**

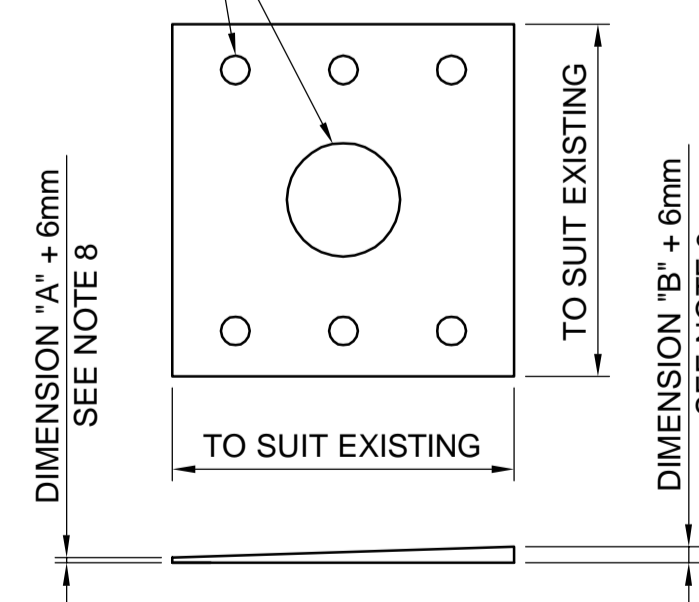
SCALE 1:5  
TYPICAL FOR TWO S653 BASE PLATES



**TYPICAL EXISTING FLANGE CONNECTION**

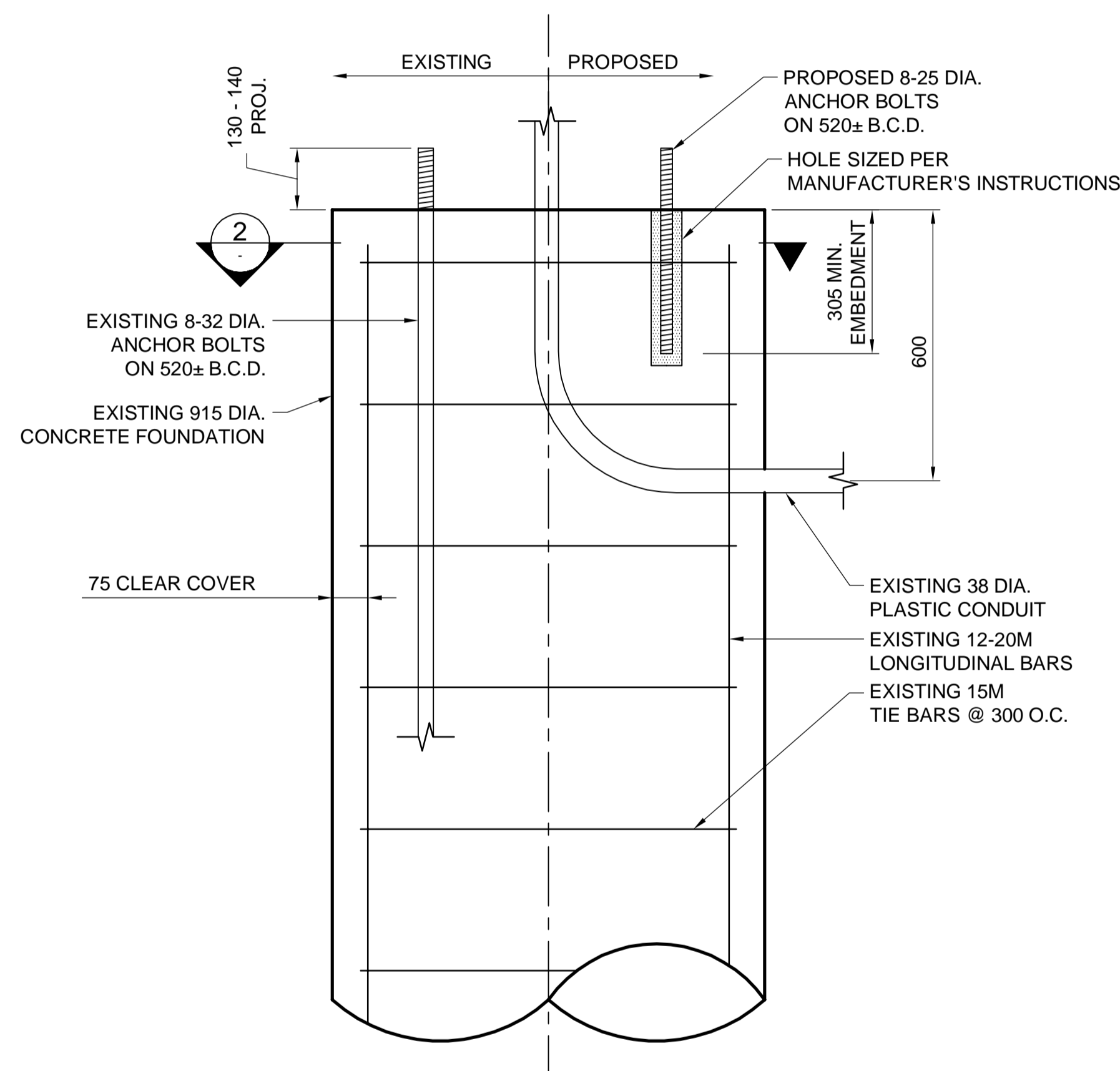
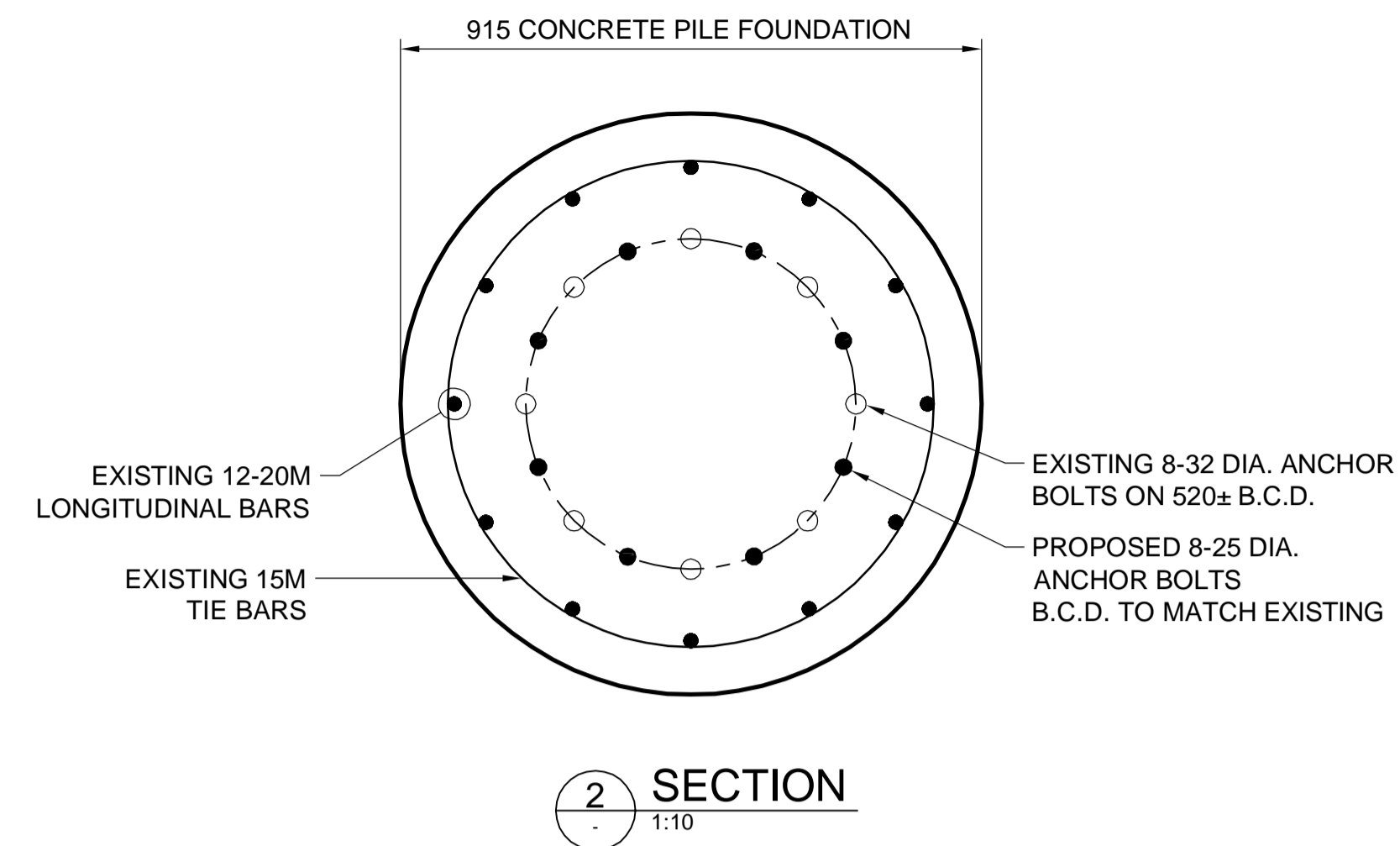
1:5

SIZE AND SPACING OF HOLES TO MATCH EXISTING TOP PLATE



**SHIM PLATES AT SUPPORT FLANGE**

1:10  
TWO THUS



**ELEVATION - POST-INSTALLED ANCHOR BOLT DETAILS**

SCALE 1:10  
TYPICAL FOR BOTH S653 FOUNDATIONS

**FOUNDATION MODIFICATION NOTES:**

1. POST-INSTALLED ANCHOR BOLTS SHALL BE INSTALLED USING THE HILTI HIT-RE 500-SD ADHESIVE ANCHORING SYSTEM. SUBSTITUTES SHALL BE APPROVED IN WRITING BY THE CONTRACT ADMINISTRATOR.
2. INSTALL POST-INSTALLED ANCHOR BOLTS IN ACCORDANCE WITH ADHESIVE ANCHORING SYSTEM MANUFACTURER'S INSTRUCTIONS.
3. FOLLOWING INSTALLATION OF THE NEW ANCHOR BOLTS, CONTRACTOR SHALL CREATE AN ANCHOR BOLT HOLE TEMPLATE FOR EACH FOUNDATION.
4. **POST-INSTALLED ANCHOR BOLTS**
  - 25 DIA. BY 450 LONG C/W 2 NUTS & 2 WASHERS
  - ASTM F1554 GR. 55 (380 MPa)
  - FULLY THREADED UNC CLASS 2A
  - HOT-DIP GALVANIZED IN ACCORDANCE WITH ASTM F2329

**STRUCTURE MODIFICATION NOTES:**

5. AN ANCHOR BOLT TEMPLATE SHALL BE USED TO GUARANTEE COMPATIBILITY OF EXISTING AND POST-INSTALLED ANCHOR BOLTS WITH BASE PLATE MODIFICATIONS IN THE SHOP.
6. NEW HOLES SHALL BE INSTALLED BY DRILLING.

**SHIM PLATE NOTES:**

7. CONTRACTOR SHALL PERFORM DETAILED MEASUREMENTS IN THE FIELD TO DETERMINE THICKNESS OF REQUIRED SHIM PLATE. MEASUREMENTS SHALL BE OBTAINED WHEN CROSS-ARM IS FULLY LOADED (SIGN PANELS AND BRACKETS ATTACHED) AND UNDER ITS OWN SELF WEIGHT.
8. DIMENSION A SHALL BE THE MEASURED GAP BETWEEN THE PLATES AT THE LOCATION SHOWN.
9. DIMENSION B SHALL BE THE MEASURED GAP BETWEEN THE PLATES AT THE LOCATION SHOWN.

METRIC

WHOLE NUMBERS INDICATE MILLIMETRES  
DECIMALIZED NUMBERS INDICATE METRES



B.M. ELEV.	DESIGNED BY CDW		ENGINEER'S SEAL 		CITY DRAWING NUMBER OHSS-15-07
	DRAWN BY KB		CONSULTANT PROJECT NUMBER 15-1815		SHEET 7 OF 7
	CHECKED BY SSR		RELEASED FOR CONSTRUCTION DATE	STRUCTURE NO. S653 DETAILS	CONSULTANT DRAWING NUMBER N/A
	APPROVED BY -		HOR. SCALE - VERTICAL		
0 ISSUED FOR TENDER	06/19/15	CDW			
NO. REVISIONS	DATE	BY	DATE	June 19, 2015	