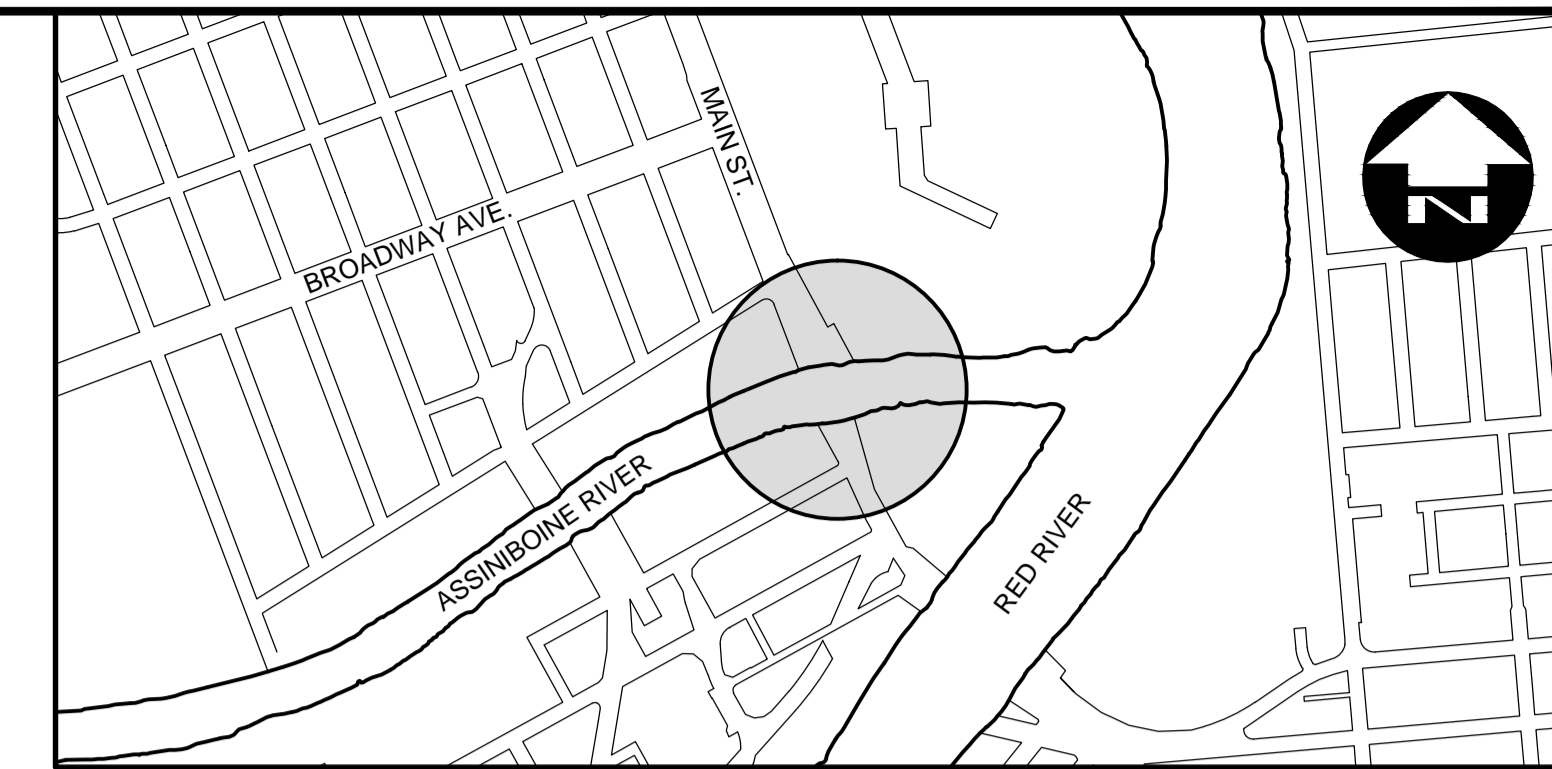


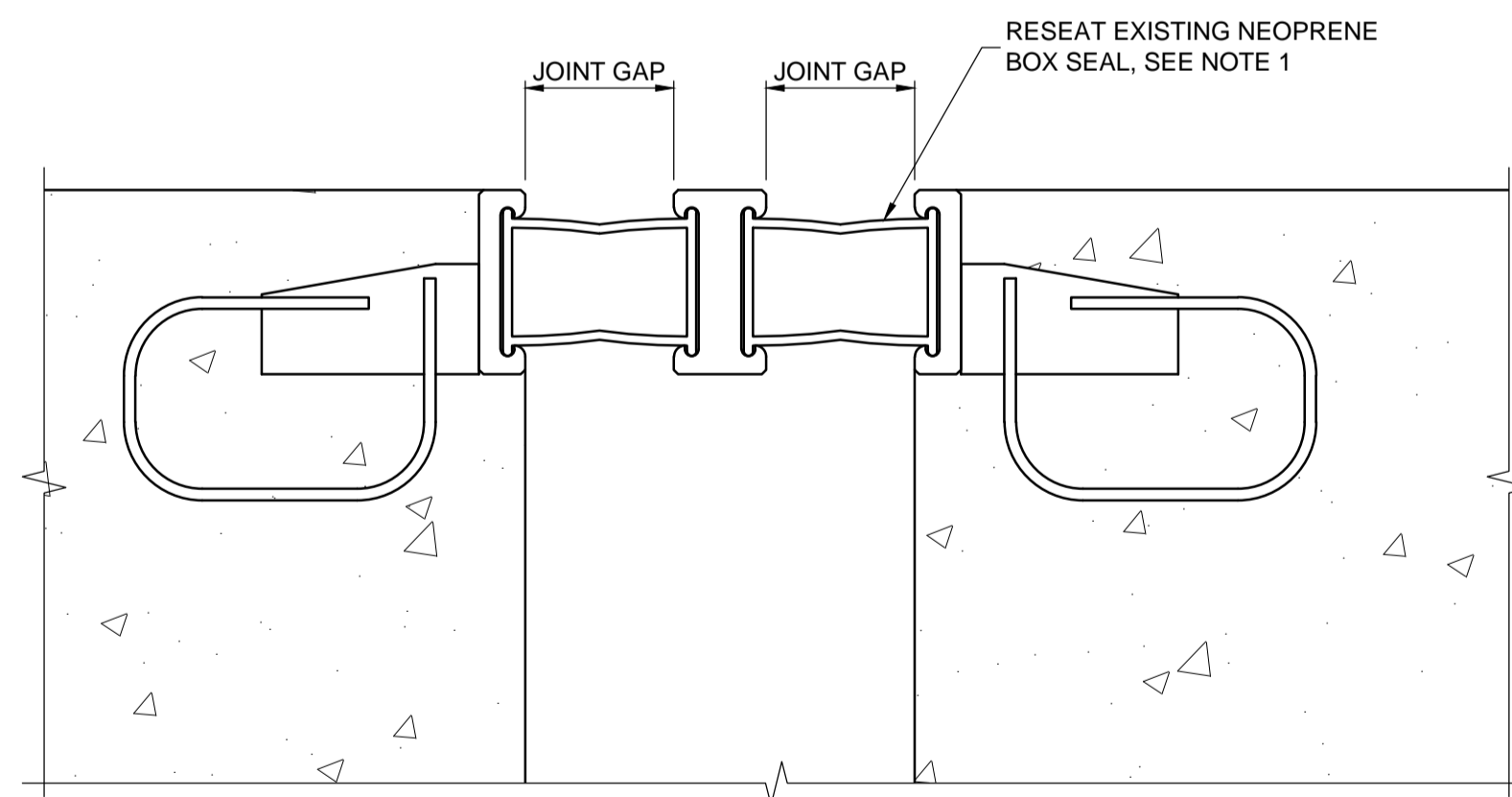
PLAN
NTS



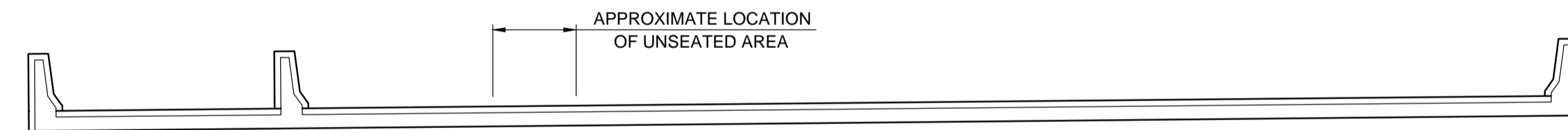
LOCATION PLAN

- NOTES:
- EXISTING SEAL: D-160 CONTINUOUS NEOPRENE BOX SEAL "MA-4001" BY D.S. BROWN.
 - REMOVE UNSEATED SECTION OF EXISTING SEAL AND THOROUGHLY CLEAN AND GRIT BLAST EXPANSION JOINT EXTRUSIONS TO THE SATISFACTION OF THE CONTRACT ADMINISTRATOR.
 - SEAL SHOULD BE RESEATED WHILE AMBIENT TEMPERATURES ARE SUCH THAT THE JOINT GAP HAS SUFFICIENT WIDTH FOR WORKABILITY AND INSTALLATION LUBRICATION WILL BE EFFECTIVE.
 - MEASUREMENTS TAKEN MAY 2015 INDICATED A JOINT GAP OF APPROXIMATELY 45mm AT THE NORTH EXPANSION JOINT, AND 45mm AT THE EAST EXPANSION JOINT WITH AN AMBIENT TEMPERATURE OF 16°C.
 - WORK SHALL BE STAGED TO ENSURE ONLY ONE LANE OF TRAFFIC IS CLOSED AT A TIME. REFER TO SPECIFICATION FOR TRAFFIC CONTROL.
 - CONTRACTOR TO FIELD VERIFY LENGTH AND LOCATION OF AREAS TO BE RESEATED.

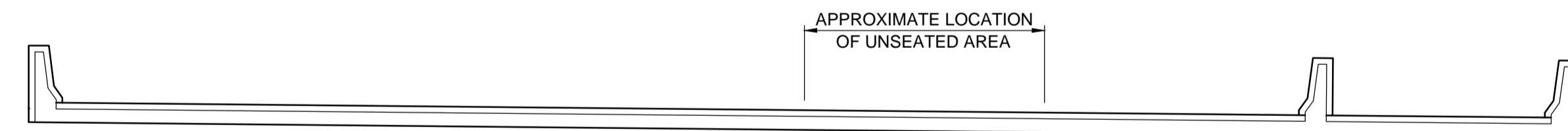
RESEAT EXISTING D-160 CONTINUOUS NEOPRENE BOX SEAL



SECTION A
NTS



SECTION B
NTS



SECTION C
NTS

METRIC

WHOLE NUMBERS INDICATE MILLIMETRES
DECIMALIZED NUMBERS INDICATE METRES



DESIGNED BY: JLD							THE CITY OF WINNIPEG PUBLIC WORKS DEPARTMENT	
DRAWN BY: JLD					2015 BRIDGE MAINTENANCE MISCELLANEOUS EXPANSION JOINT SEAL REPAIR WORKS		CITY DRAWING NUMBER B104-15-01-R1	
CHECKED BY: CDW					RELEASED FOR CONSTRUCTION		SHEET 01 OF 01	
APPROVED BY: CDW					CONSULTANT PROJECT NUMBER 15-1743		CONSULTANT DRAWING NUMBER	
HOR. SCALE: AS NOTED			DATE: 15/07/22		DATE: 15/07/22		MAIN STREET BRIDGE NB SOUTH ABUTMENT SB NORTH ABUTMENT	
VERTICAL: AS NOTED			DATE: 15/06/30		DATE: 15/06/30			
NO. REVISIONS			DATE		BY			
1 ISSUED FOR ADDENDUM 2			15/07/22		CDW			
0 ISSUED FOR TENDER			15/06/30		CDW			