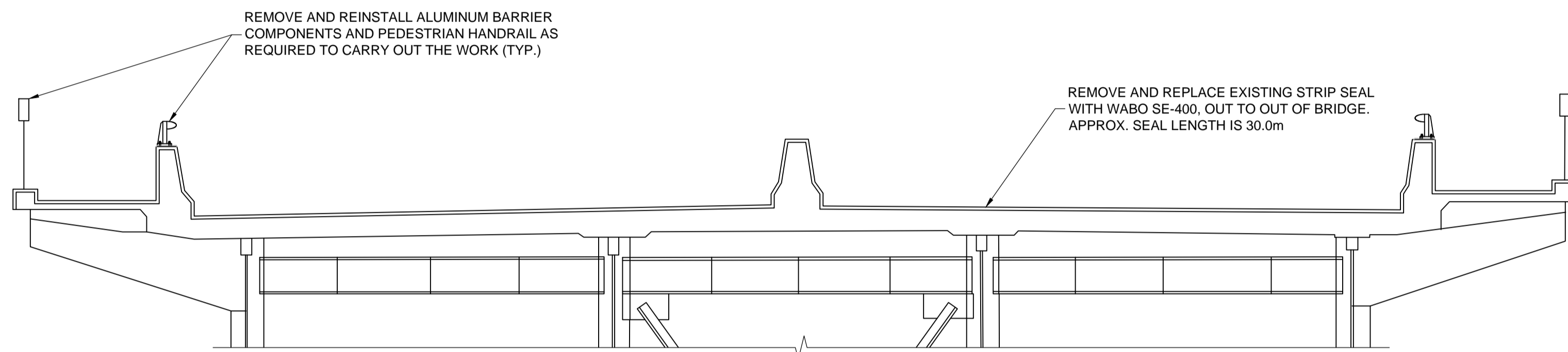


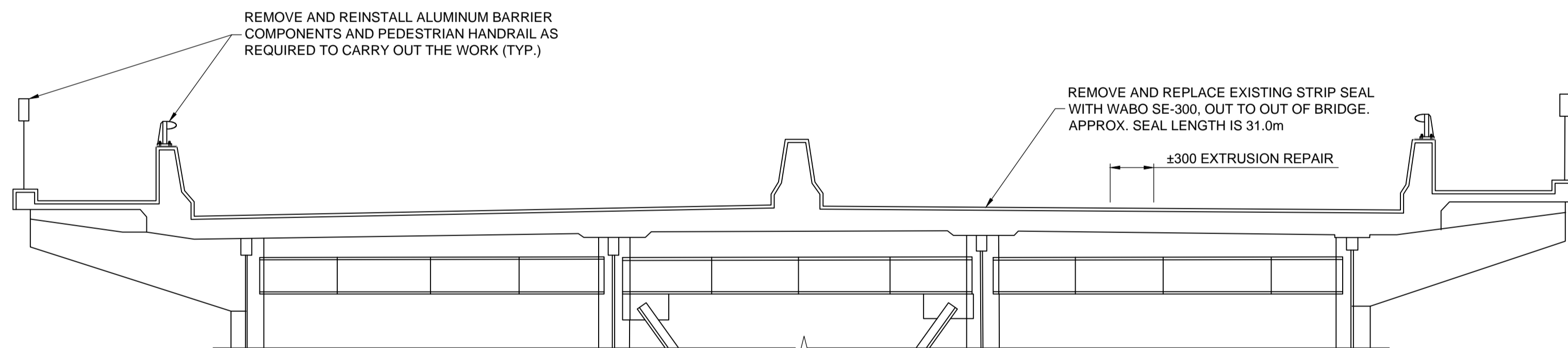
PLAN  
NTS

NOTES

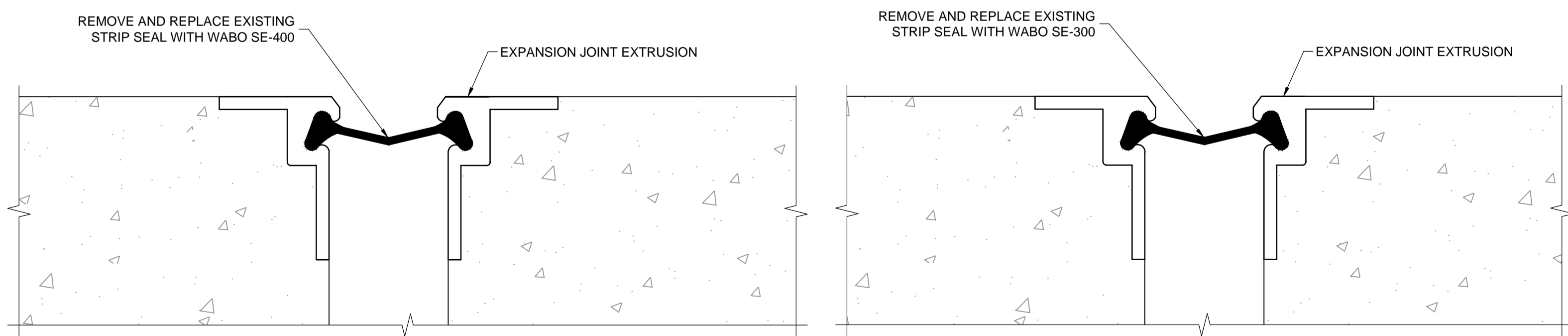
1. SEAL REPLACEMENT:
  - 1.1. EXISTING STRIP SEAL:
    - ACME AS-400 PIER 3
    - ACME AS-300 PIER 4
  - PROPOSED STRIP SEAL:
    - WABO SE-400 PIER 3
    - WABO SE-300 PIER 4
- 1.2. REMOVE EXISTING SEAL COMPLETELY AND THOROUGHLY CLEAN AND GRIT BLAST EXPANSION JOINT EXTRUSIONS TO THE SATISFACTION OF THE CONTRACT ADMINISTRATOR.
- 1.3. EXISTING SEAL SHOULD BE REMOVED AND NEW SEAL INSTALLED WHILE AMBIENT TEMPERATURES ARE SUCH THAT THE JOINT GAP HAS SUFFICIENT WIDTH FOR WORKABILITY AND INSTALLATION LUBRICATION WILL BE EFFECTIVE.
- 1.4. MEASUREMENTS TAKEN MAY 2015 INDICATED A JOINT GAP OF 51mm AT PIER 3, AND 53mm AT PIER 4 WITH AN AMBIENT TEMPERATURE OF 16°C.
- 1.5. WORK SHALL BE STAGED TO ENSURE ONLY ONE LANE OF TRAFFIC IS CLOSED AT A TIME. REFER TO SPECIFICATION FOR TRAFFIC CONTROL.
- 1.6. CONTRACTOR TO FIELD VERIFY TYPE AND LENGTH OF STRIP SEAL REQUIRED PRIOR TO ORDERING NEW SEAL.
2. EXTRUSION REPAIR:
  - 2.1. REMOVE DAMAGED PORTION OF EXISTING EXTRUSION.
  - 2.2. CUT EXTRUSION REPAIR SECTION TO SUIT AND FIELD WELD IN PLACE.
  - 2.3. EXTRUSION REPAIR SECTION WILL BE SUPPLIED BY THE CITY.



A SECTION  
NTS

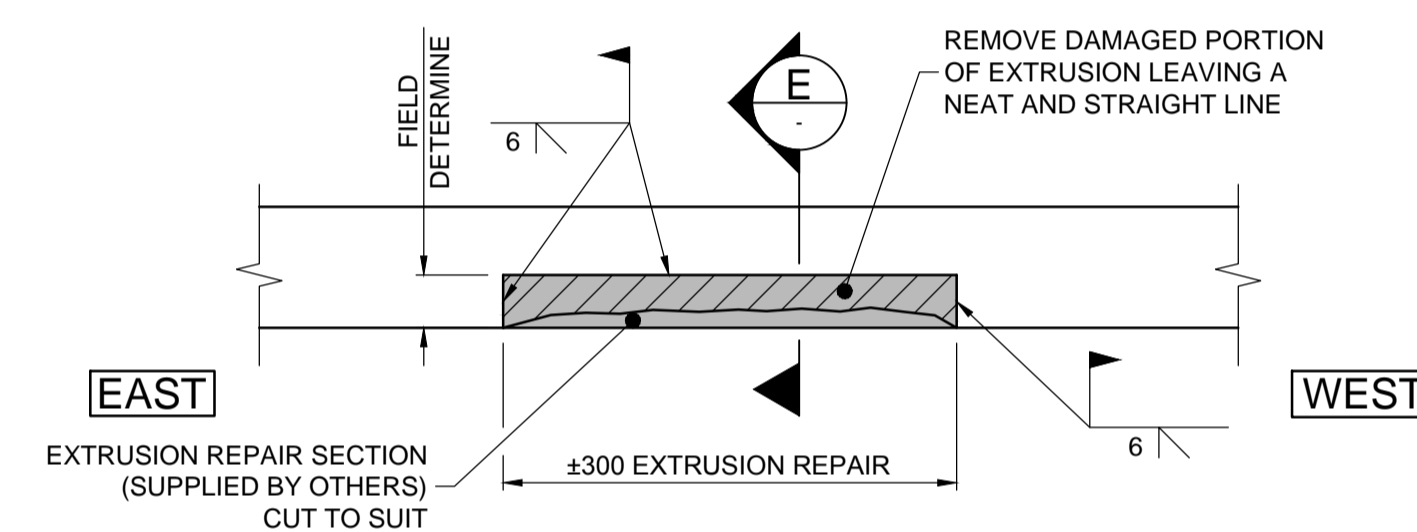


B SECTION  
NTS

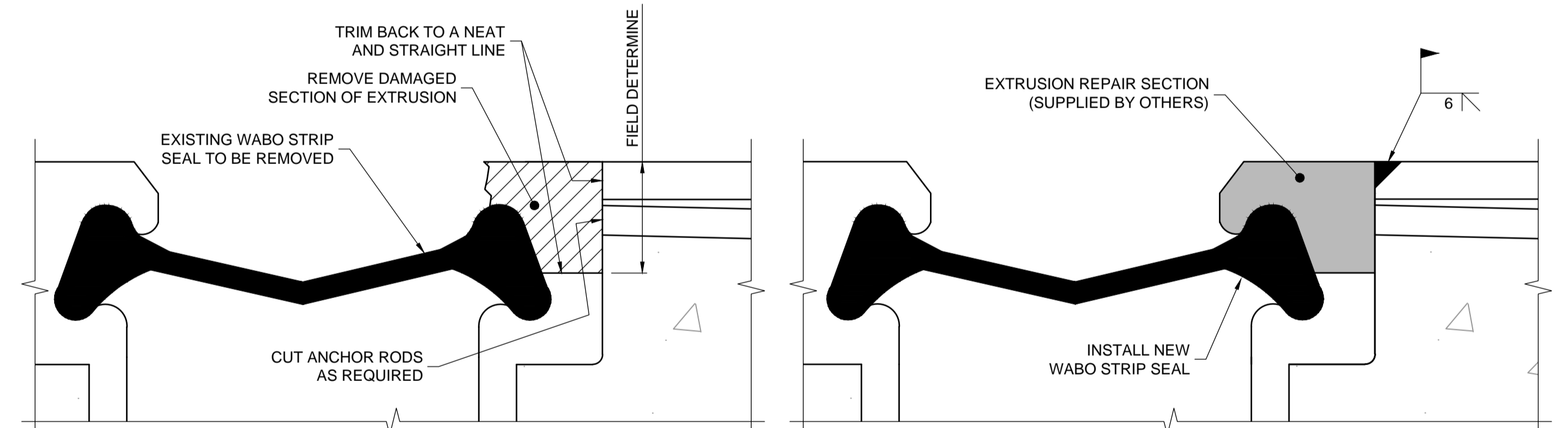


C SECTION  
NTS

D SECTION  
NTS



PLAN - EXTRUSION REPAIR  
NTS



E SECTION - EXISTING  
NTS

E SECTION - PROPOSED  
NTS

METRIC

WHOLE NUMBERS INDICATE MILLIMETRES  
DECIMALIZED NUMBERS INDICATE METRES

G:\CAD\151743\Drawings and Figures\151743-09-B114-MID\_TOWN.dwg

B.M. ELEV.	DESIGNED BY	JLD
	DRAWN BY	JLD
	CHECKED BY	CDW
	APPROVED BY	CDW
1 ISSUED FOR ADDENDUM 2	15/07/22	CDW
0 ISSUED FOR TENDER	15/06/30	CDW
NO. REVISIONS	DATE	BY
	15/07/22	

**DILLON CONSULTING**

RELEASED FOR CONSTRUCTION

ENGINEER'S SEAL

PROVINCE OF MANITOBA  
ORIGINAL STAMPED BY  
C.D. WARD  
JUNE 30, 2015  
Member 24456  
REGISTERED PROFESSIONAL ENGINEER

CONSULTANT PROJECT NUMBER  
15-1743

**THE CITY OF WINNIPEG**  
PUBLIC WORKS DEPARTMENT

2015 BRIDGE MAINTENANCE  
MISCELLANEOUS EXPANSION JOINT  
SEAL REPAIR WORKS

MIDTOWN BRIDGE  
PIER 3 & PIER 4

CITY DRAWING NUMBER  
B114-15-01-R1

SHEET 01 OF 01

CONSULTANT DRAWING NUMBER

**APEGM**

Certificate of Authorization  
Dillon Consulting Limited (MB)  
No. 1789 Date: JUNE 30, 2015