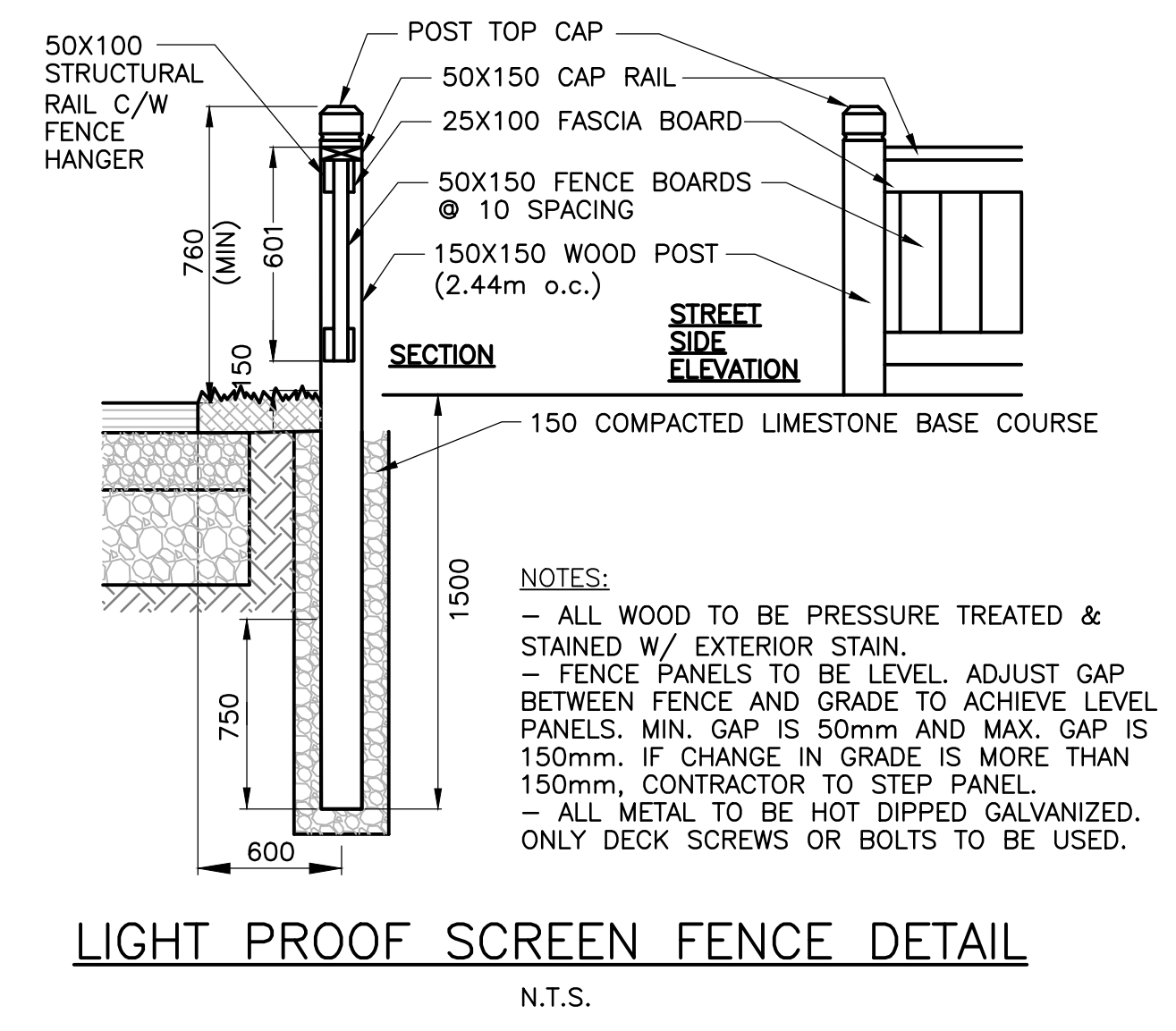
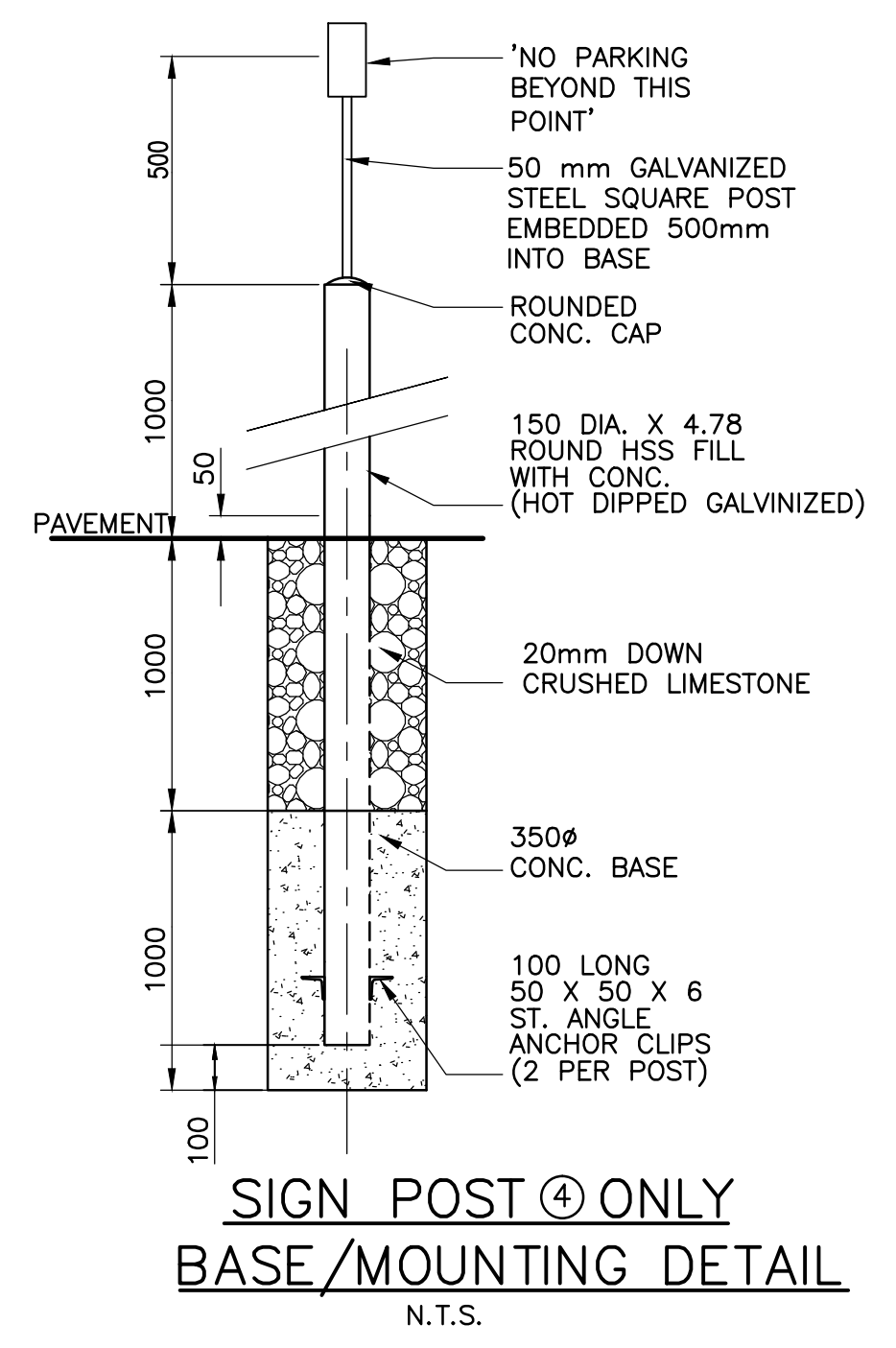
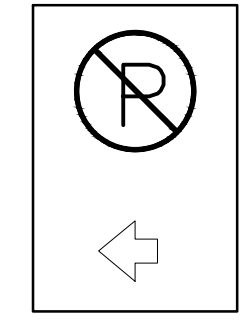


- KEYNOTES:**
- ① STOP LINE PAINTED
 - ② INSTALL NEW ROUND WOOD BOLLARDS (TYP.)
 - ③ REGRADE AND INSTALL NEW MIN. 100mm TOPSOIL AND SOD.
 - ④ NEW SCREEN FENCE (SEE DRAWING C05 FOR TYP. DETAIL)
 - ⑤ LINE PAINTING TYP.
 - ⑥ PAINTED LINES FOR PEDESTRIAN CROSSING
 - ⑦ ACCESSIBILITY SYMBOL PAINTED (TYP.)
 - ⑧ NEW PRE-CAST PARKING CURB (TYP.)
 - ⑨ DETECTABLE WARNING STRIP TILES AT PEDESTRIAN CROSSING
 - ⑩ REGRADE AS REQUIRED, INSTALL NEW MIN. 100mm TOPSOIL AND SEEDING.
 - ⑪ INSTALL LANDSCAPE FABRIC AND 100mm THICK DYED WOOD MULCH COLOUR - RED.



- SIGNAGE INSTALLATION:**
- INSTALL NEW SIGNS AND SIGN POSTS ACCORDING TO THE FOLLOWING TYPICAL SIGNAGE IDENTIFICATION, AS SHOWN IN THE DRAWING:
 - ① STOP SIGN
 - ② ACCESSIBLE PARKING ONLY
 - ③ PEDESTRIAN CROSSING
 - ④ 'NO PARKING BEYOND THIS POINT' SIGNAGE
 - ⑤ 'NO HEAVY TRUCKS OR BUSES PERMITTED PAST THIS POINT'
 - ⑥ 'NO PARKING'
- ALL NEW SIGNS AND SIGN POSTS INSTALLED IN ACCORDANCE WITH APPLICABLE CITY OF WINNIPEG SPECIFICATIONS AND BY-LAWS AND THE MANUAL OF UNIFORM TRAFFIC CONTROL DEVICES FOR CANADA.



**'NO PARKING BEYOND THIS POINT'
SIGNAGE**
N.T.S.

APEGM
Certificate of Authorization
WSP Canada Inc.
No. 5750 Date: June 23, 2015

REFER DRAWING C01
FOR GENERAL
CONSTRUCTION NOTES

METRIC
WHOLE NUMBERS INDICATE MILLIMETRES
DECIMALIZED NUMBERS INDICATE METRES

EXISTING	LEGEND - PLAN	PROPOSED	EXISTING	LEGEND - PLAN	PROPOSED	EXISTING	LEGEND - PROFILE	PROPOSED
150 mm WM	WATERMAIN	150 mm WM	---	GAS	---	---	CENTRELINE OF SWALE ELEVATION	230.000 COS
300 mm LDS	LAND DRAINAGE SEWER	300 mm LDS	---	HYDRO	---	---	CATCH BASIN ELEVATION	230.000 CB
250 mm CS	WASTE WATER SEWER	250 mm CS	---	M.T.S.	---	---	TESTHOLE	---
○	MANHOLE	●	---	PEDESTAL	---	---	TOPSOIL & SOD/SEED	---
□	CATCH BASIN	■	---	PROPERTY LINE	---	---	ASPHALT	---
△	CURB INLET	▲	---	SURVEY BAR	---	---	CURBING	---
○	SIGN	●	---	CURB STOP	---	---	TREE	---
○	LAMP STANDARD	●	---	GROUND ELEVATION	230.00	---	SHRUB	---
○	UTILITY POLE	●	---	PAVEMENT ELEVATION	230.000 ASP	---	FENCE	---
---	---	---	---	EDGE OF ASPHALT ELEVATION	230.000 EOA	---	BOLLARD	---

LOCATION APPROVED UNDERGROUND STRUCTURES

C.W.B.M. 11-037..... 231.071m N. SIDE OF KIMBERLY AVE., W. OF RIZER CRES. IN N. SHOULDER OF KIMBERLY AVE., TBLT. ON TOP OF 0.05m DIA. X 2.4 IRON PIP., 34m S. OF MOST SLY WALL & 32m W. OF MOST WLY. WALL OF INCINERENA ARENA.

DESIGNED BY: B.J.
DRAWN BY: G.P.
CHECKED BY: B.D.E.
APPROVED BY: B.J.

HOR. SCALE: 1:250 (A1)
VERT. SCALE: 11/AM/DD

DATE: OCTOBER 2012

WSP
1600 BUFFALO PLACE
WINNIPEG, MB, R3T 6B8
PHONE: 204-477-6850
FAX: 204-474-2864
WWW.WSPGROUP.COM

THE CITY OF WINNIPEG
PLANNING, PROPERTY & DEVELOPMENT

**TERRY SAWCHUK ARENA
PARKING LOT RESURFACING PROJECT
LANDSCAPING, FENCING AND
SIGNAGE PLAN**

CITY DRAWING NO. 5 OF 6
REV. C05