

Drawing No: **SCD-122A**

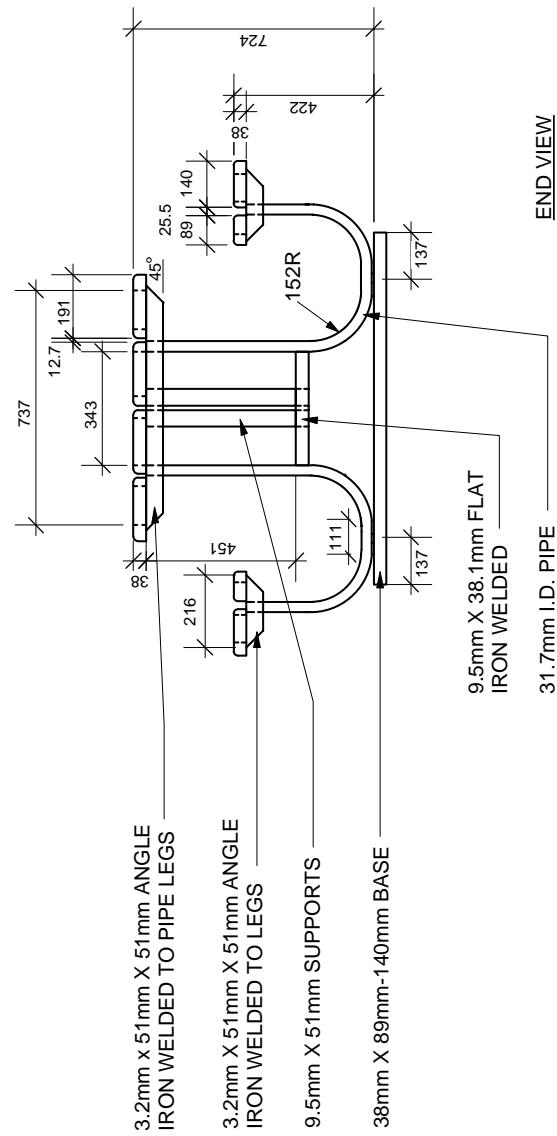
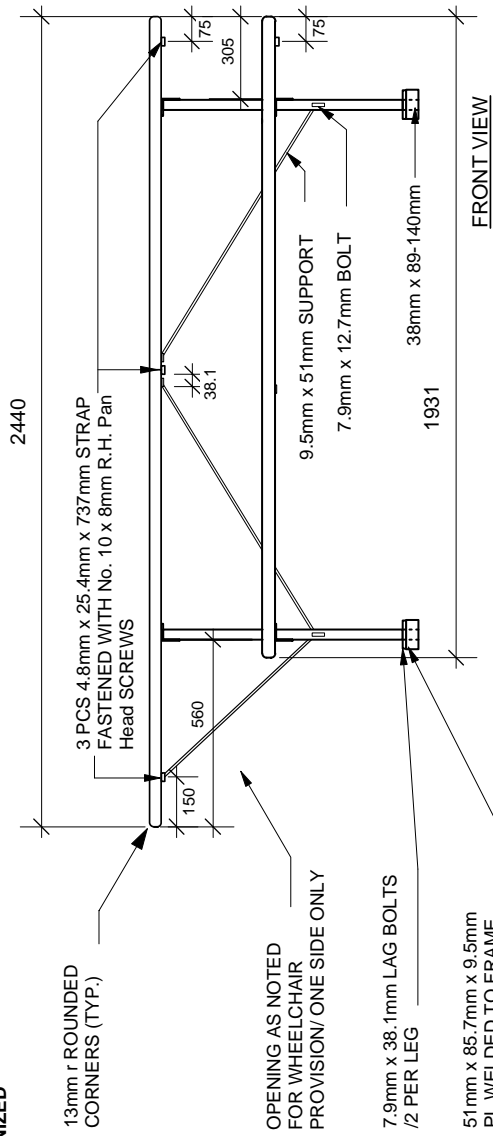
**TACHE STYLE WHEELCHAIR
 METAL FRAME PICNIC TABLE**

MATERIALS

- WOOD SLATS:**
 - VERTICAL GRAIN CLEAR SITKA SPRUCE OR CLEAR CEDAR
 - FINISH - SIKKENS CETOL No. 078 NATURAL or PAINTED FINISH: GREEN, WALNUT, CEDAR OR GREY (AS SPECIFIED)

METAL LEG OPTIONS:

- **BLACK POWDERCOATED** - (Metal suitably cleaned to remove any grease, wax etc. for proper paint bonding to occur. Base coat Zinc rich primer. Baked with a final thickness of paint between 5 - 8 mil)
 or
 - **GALVANIZED**



NOTE:
 ALL TABLE TOP AND SEAT BOARDS TO BE FASTENED TO ANGLE IRONS WITH 8mm CARRIAGE BOLTS SECURED WITH WASHER AND NUT.

DIMENSIONS SHOWN ARE IN MILLIMETRES UNLESS OTHERWISE SPECIFIED

REVISION: 1
 DATE: January 12, 2012
 SCALE: N.T.S.
 DRAWN BY: SP

The City of Winnipeg
 Planning, Property and Development Department
 Parks, Waterways & Community Initiatives Division
 Unit 15 - 30 Fort Street, Winnipeg, MB, R3C 4X5



Drawing Title:

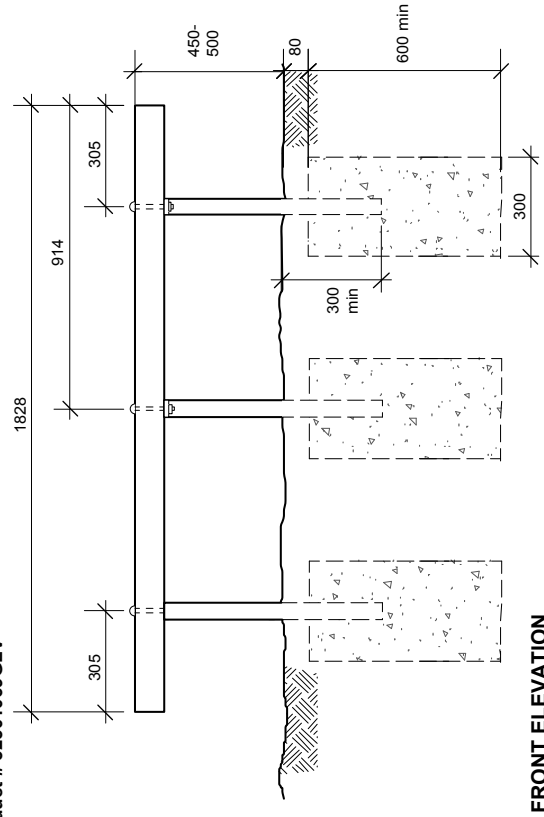
**TACHE BACKLESS
 BENCH COMPOSITE**

Drawing No: **SCD-121B**

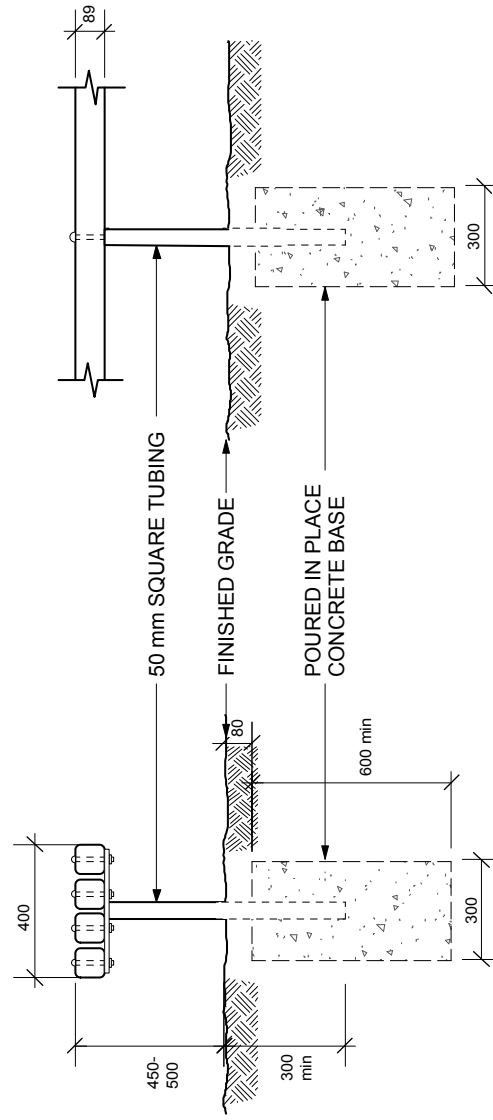
- COMPOSITE SLATS:**
 - 89mm x 89mm COMPOSITE BOARDS
 - CEDAR TONE FINISH

METAL OPTIONS:

- **BLACK POWDERCOATED** - (Metal suitably cleaned to remove any grease, wax etc. for proper paint bonding to occur. Base coat Zinc rich primer. Baked with a final thickness of paint between 5-8 mil - **Product # 52501069**)
 or
 - **GALVANIZED** - **Product # 52501069GLV**



FRONT ELEVATION



SIDE ELEVATION

SUPPORT DETAILS

DIMENSIONS SHOWN ARE IN MILLIMETRES UNLESS OTHERWISE SPECIFIED

REVISION: 2
 DATE: December 20, 2012
 SCALE: NTS
 DRAWN BY: SP

The City of Winnipeg
 Planning, Property and Development Department
 Planning and Land Use Division
 Unit 15 - 30 Fort Street, Winnipeg, MB, R3C 4X5

