

**METAL SLAT WR:**

Black Finish: Product # 52501063BLK  
Galvanized Finish: Product # 52501063GLV

**WIRE BASKET:**

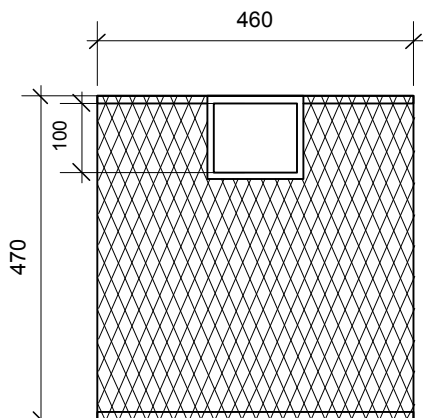
Black Finish: Product # 52501058  
Galvanized Finish: Product # 52501058GLV

Drawing Title:

**WASTE RECEPTACLE  
SIDE OPENING METAL SLAT TYPE**

Drawing No:

**SCD-119**



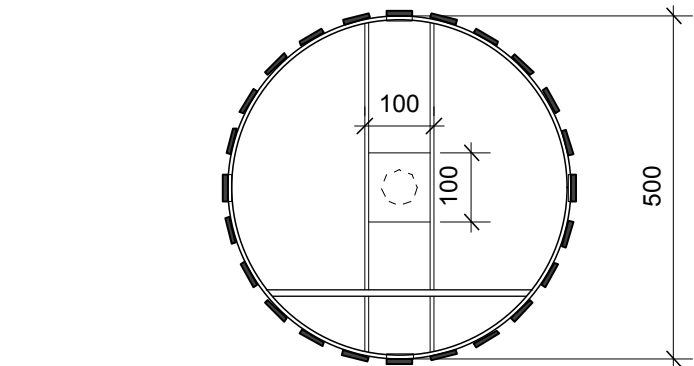
**WIRE BASKET**

**NOTE FOR BLACK FINISH:**

- POWDERCOATED - METAL SUITABLY CLEANED TO REMOVE ANY GREASE, WAX, ETC. FOR PROPER PAINT BONDING TO OCCUR. BASE COAT ZINC RICH PRIMER. BAKED WITH A FINAL THICKNESS OF PAINT BETWEEN 5-8 MIL.

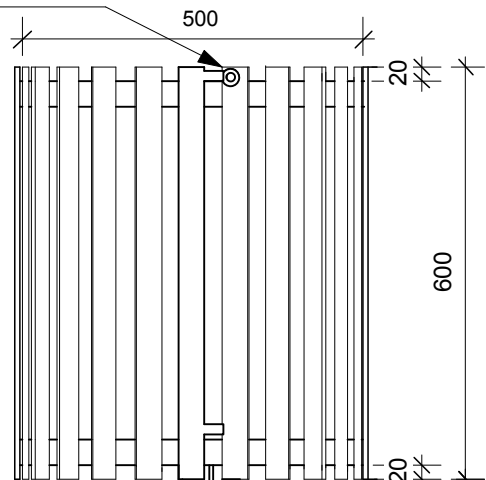
**NOTE FOR GALVANIZED FINISH:**

- METAL TO BE HOT DIPPED GALVANIZED.

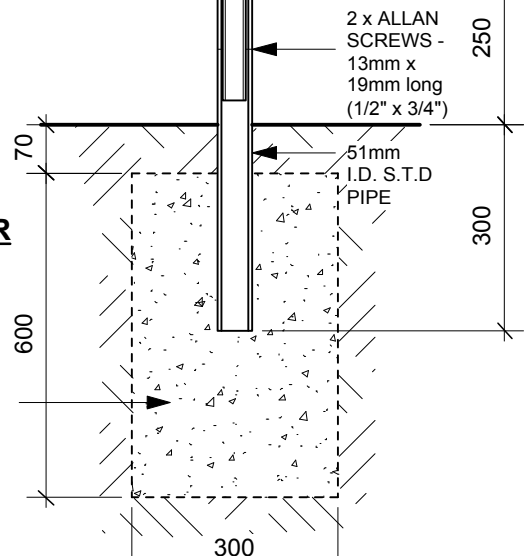


**PLAN**

TO TAKE PADLOCK



**METAL SLAT WR**



CONCRETE BASE

DIMENSIONS SHOWN ARE IN MILLIMETRES UNLESS OTHERWISE SPECIFIED

REVISION: 2  
DATE: December 20, 2012  
SCALE: N.T.S.  
DRAWN BY: SP

The City of Winnipeg  
Planning, Property and Development Department  
Planning and Land Use Division  
Unit 15 - 30 Fort Street, Winnipeg, MB, R3C 4X5

