

**General Notes**

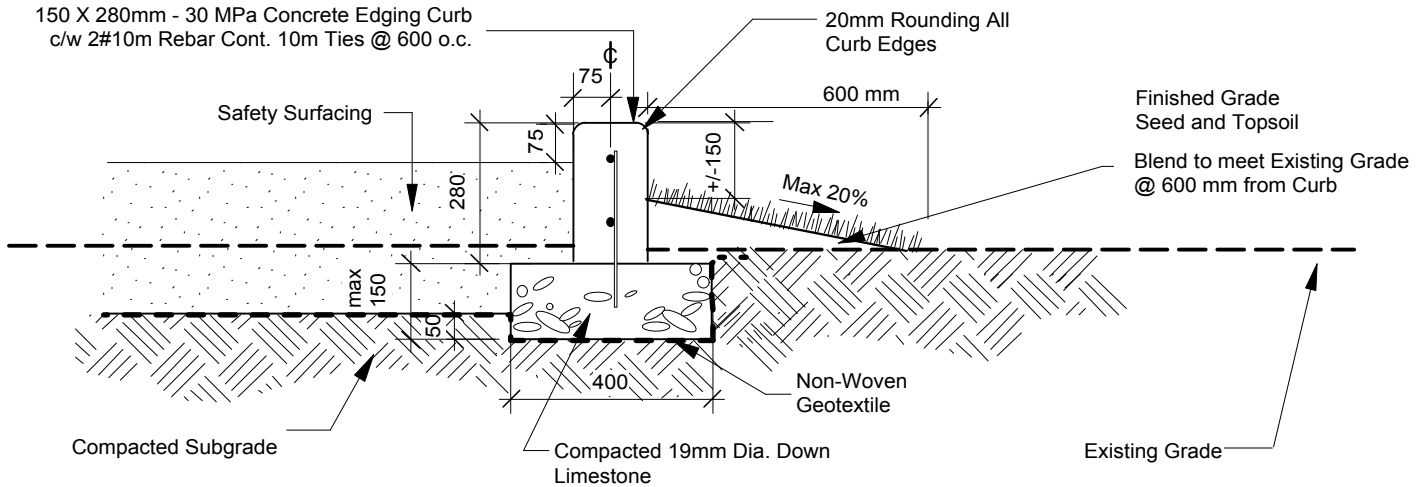
1. All concrete edging must be chamfered.
2. Concrete must be smooth on all sides.
3. Concrete to be placed as per CW 3310.

Drawing Title:

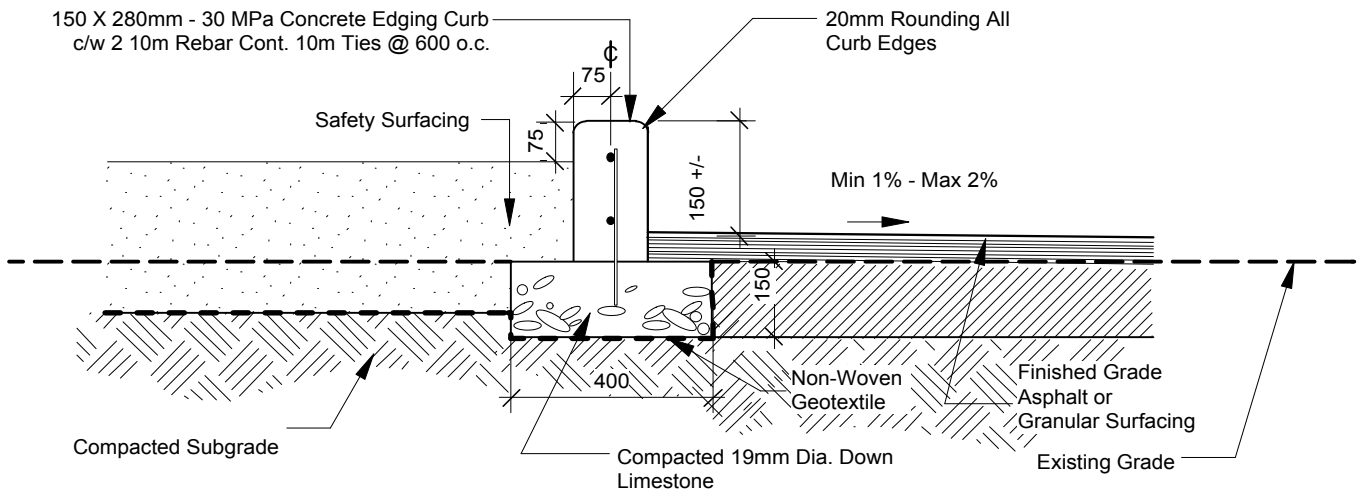
**CONCRETE PLAYSURFACE  
EDGING DETAIL**

Drawing No:

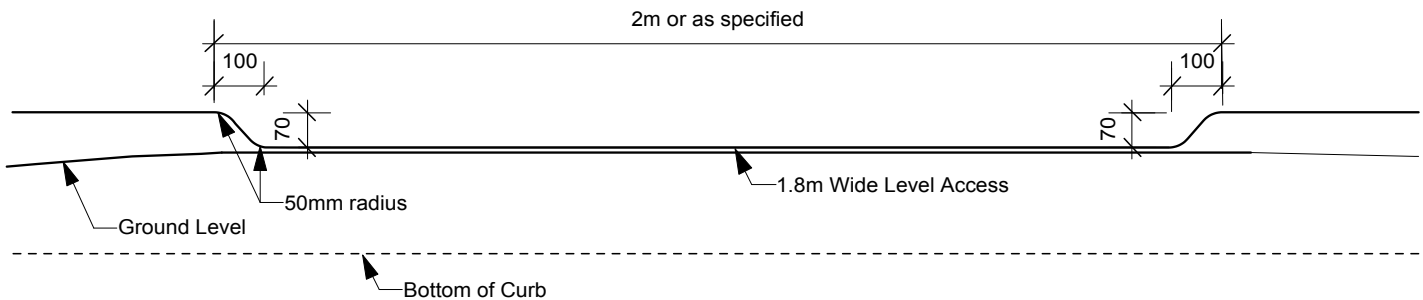
**SCD-643**



**CROSS SECTION - SOD EDGE**



**CROSS SECTION - HARD SURFACE EDGE**



**CURB ACCESSIBLE ENTRANCE**

DIMENSIONS SHOWN ARE IN MILLIMETRES UNLESS OTHERWISE SPECIFIED

REVISION: 2  
DATE: January 3, 2013  
SCALE: NTS  
DRAWN BY: SP

The City of Winnipeg  
Planning, Property and Development Department  
Planning and Land Use Division  
Unit 15 - 30 Fort Street, Winnipeg, MB, R3C 4X5

