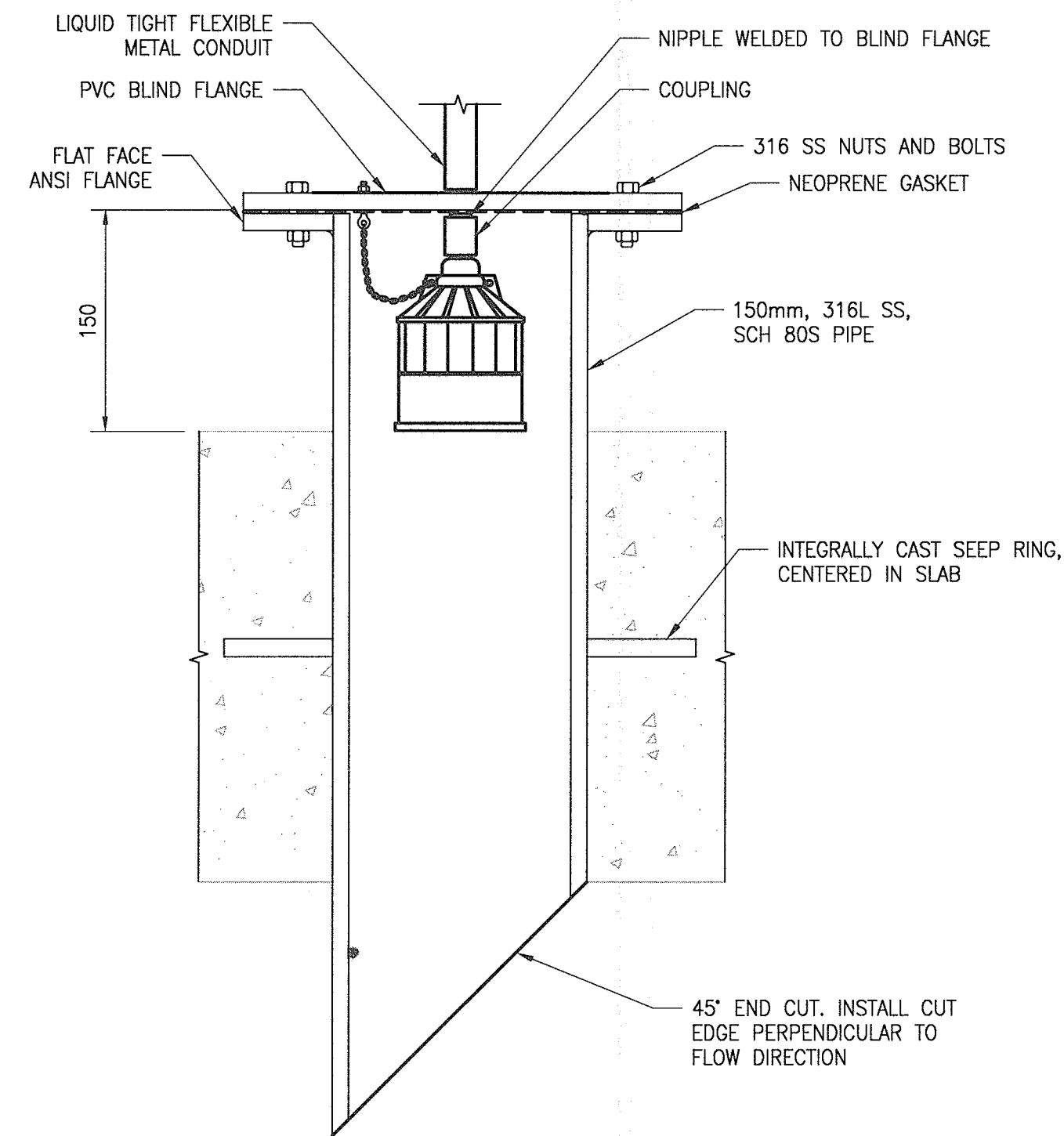
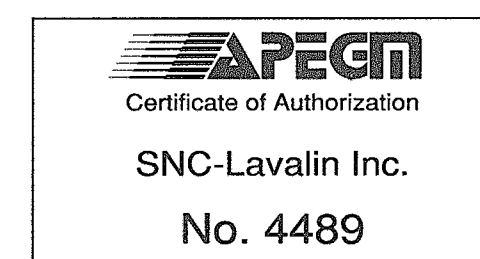


**(A) WASTE SLUDGE SUMP LEVEL SWITCHES**  
NTS

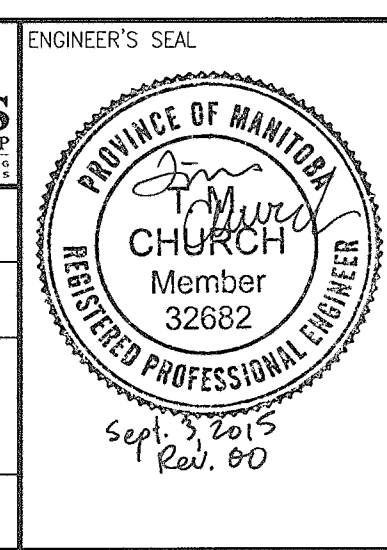


**(B) ULTRASONIC LEVEL SENSOR - FLANGE MOUNT**  
NTS



NO.	REVISIONS	DATE	DESIGN	CHECK
00	ISSUED FOR TENDER	09/2015	TMC	TMC

<b>CH2MHILL.</b>	
DESIGNED BY: T. CHURCH	CHECKED BY: T. CHURCH
DRAWN BY: S. BOGHOSIAN	APPROVED BY: T. CHURCH
SCALE: NTS	ISSUED FOR CONSTRUCTION BY: T. TURZAK
DATE: 2015/05/04	DATE: 2015/09/02
CONSULTANT NO.: 474248	



<b>THE CITY OF WINNIPEG</b> WATER AND WASTE DEPARTMENT	
SOUTH END WATER POLLUTION CONTROL CENTRE SEWPPC UPGRADING/EXPANSION PROJECT AUTOMATION HIGH RATE CLAIRIFICATION INSTALLATION DETAILS - LEVEL INSTRUMENTS	
CITY DRAWING NUMBER 1-0102-ADTL-K001	SHEET REV. SIZE 001 00 A1